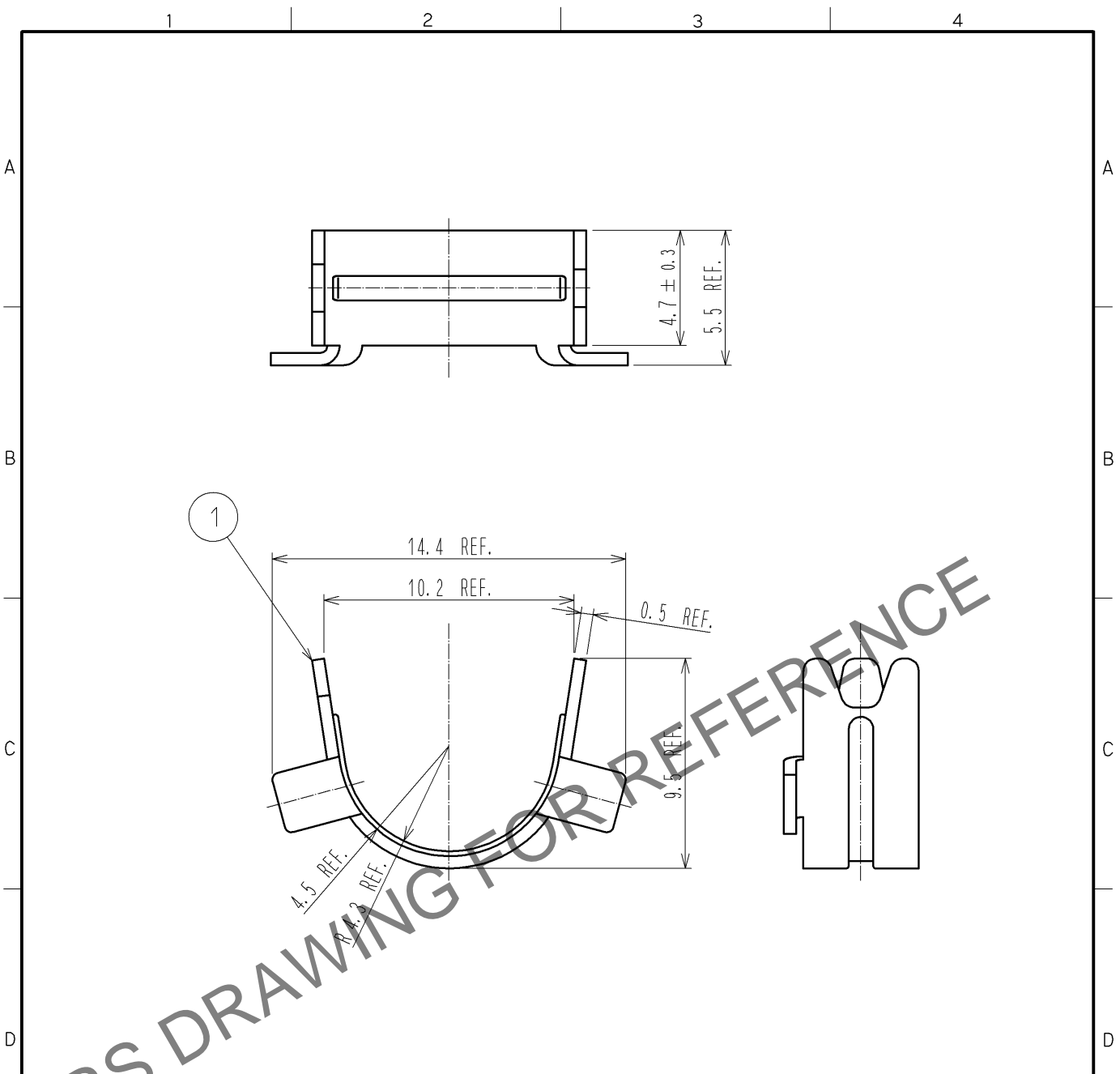


Dec.1.2024 Copyright 2024 HIROSE ELECTRIC CO., LTD. All Rights Reserved.
 In case of consideration for using Automotive equipment / device which demand high reliability, kindly contact our sales window correspondents.



HRS DRAWING FOR REFERENCE

NOTE 1. THIS PRODUCT IS A CLAMP FOR A COVER CASE 'DH-27-C+*B'.
 2. THE APPLICABLE CABLE DIAMETER IS $\phi 6.9$.
 3. THIS PRODUCT IS PACKED IN A BAG.
 (QUANTITY PER BAG MAY VARY DUE TO THE AMOUNT OF EACH ORDER.)

				1		BRASS			
NO.	MATERIAL	FINISH	REMARKS	NO.	MATERIAL	FINISH	REMARKS		
UNITS mm		SCALE 4 : 1	COUNT 1	DESCRIPTION OF REVISIONS DIS-E-003059		DESIGNED MO. SHIMOYAMA	CHECKED KN. ICHIKAWA	DATE 09.12.07	
HIROSE ELECTRIC CO., LTD.		APPROVED : AO. SUZUKI	09.10.05	DRAWING NO.		EDC4-126658-00			
		CHECKED : KN. ICHIKAWA	09.10.02	PART NO.		DH-27-CMB(7.3)			
		DESIGNED : TU. TANIGUCHI	09.10.02	CODE NO.		CL244-0032-8-00			
		DRAWN : TU. TANIGUCHI	09.10.02			1/1			