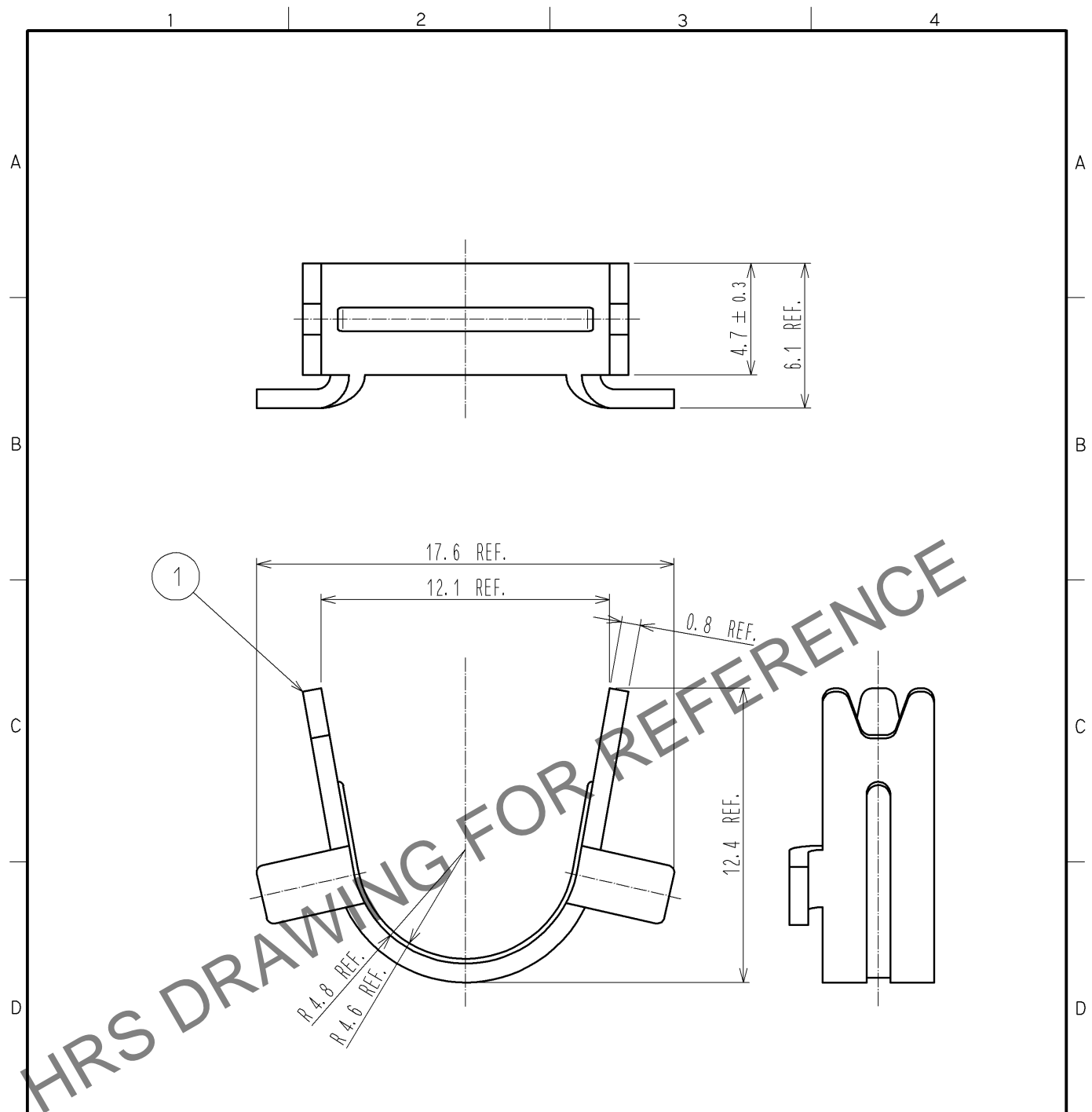


Jan.1.2025 Copyright 2025 HIROSE ELECTRIC CO., LTD. All Rights Reserved.  
 In case of consideration for using Automotive equipment / device which demand high reliability, kindly contact our sales window correspondents.



NOTE 1. THIS PRODUCT IS A CLAMP FOR A COVER CASE 'DH-37-C\*\*B'  
 2. THE APPLICABLE CABLE DIAMETER IS  $\phi 8.8$   
 △ 3. THIS PRODUCT IS PACKED IN A BAG.  
 (QUANTITY PER BAG MAY VARY DUE TO THE AMOUNT OF EACH ORDER.)

|                               |  |                                    |  |                                      |  |  |  |                             |  |                         |  |
|-------------------------------|--|------------------------------------|--|--------------------------------------|--|--|--|-----------------------------|--|-------------------------|--|
| NO.                           |  | MATERIAL                           |  | FINISH . REMARKS                     |  | 1  |  | BRASS                       |  | FINISH . REMARKS        |  |
| UNITS<br>mm                   |  | SCALE<br>4 : 1                     |  | COUNT<br>△ 1                         |  | DESCRIPTION OF REVISIONS<br>DIS-E-003059 |  | DESIGNED<br>MO. SHIMOYAMA   |  | CHECKED<br>KN. ICHIKAWA |  |
| DATE<br>09.12.07              |  | APPROVED : AO. SUZUKI<br>09.10.05  |  | DRAWING NO.<br>EDC4-126659-00        |  | PART NO.<br>DH-37-CMB(8.8)               |  | CODE NO.<br>CL244-0033-0-00 |  | △ 1/1                   |  |
| HRS HIROSE ELECTRIC CO., LTD. |  | CHECKED : KN. ICHIKAWA<br>09.10.02 |  | DESIGNED : TU. TANIGUCHI<br>09.10.02 |  | DRAWN : TU. TANIGUCHI<br>09.10.02        |  |                             |  |                         |  |