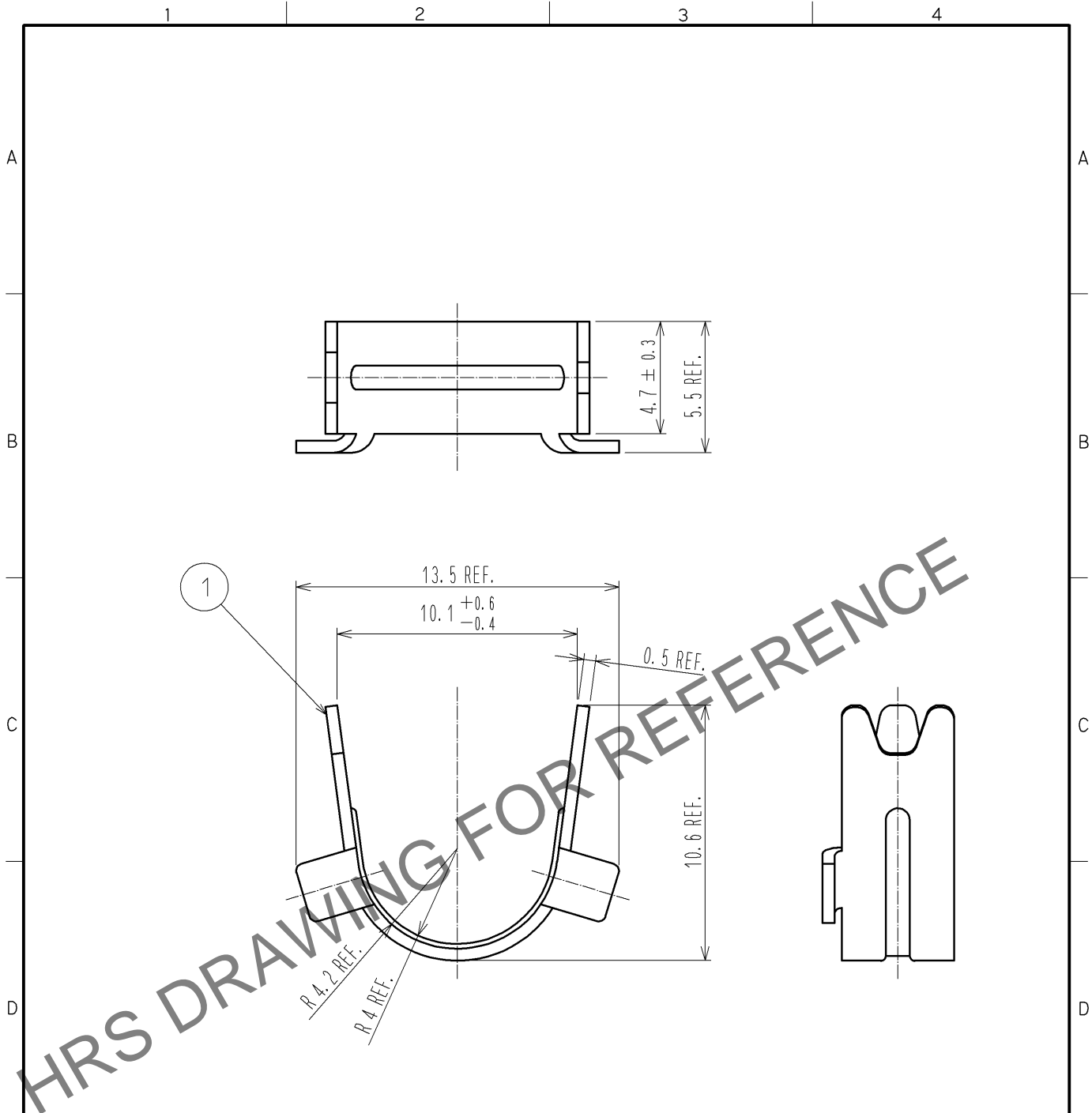


Jan.1.2025 Copyright 2025 HIROSE ELECTRIC CO., LTD. All Rights Reserved.  
 In case of consideration for using Automotive equipment / device which demand high reliability, kindly contact our sales window correspondents.



NOTE 1. THIS PRODUCT IS A CLAMP FOR A COVER CASE 'DH-27-C\*\*B'.  
 2. THE APPLICABLE CABLE DIAMETER IS  $\phi 6.9$ .  
 3. THIS PRODUCT IS PACKED IN A BAG.  
 (QUANTITY PER BAG MAY VARY DUE TO THE AMOUNT OF EACH ORDER.)

NO.		MATERIAL		FINISH . REMARKS		1		BRASS		FINISH . REMARKS	
UNITS mm		SCALE 4 : 1	COUNT 1	DESCRIPTION OF REVISIONS DIS-E-003059			DESIGNED MO. SHIMOYAMA	CHECKED KN. ICHIKAWA	DATE 09.12.07		
<b>HRS</b> HIROSE ELECTRIC CO., LTD.		APPROVED : AO. SUZUKI	09.05.07	DRAWING NO.		EDC4-126674-00					
		CHECKED : KN. ICHIKAWA	09.05.07	PART NO.		DH-27-CMB(6.9)					
		DESIGNED : MO. SHIMOYAMA	09.05.07	CODE NO.		CL244-0036-9-00					
		DRAWN : MO. SHIMOYAMA	09.05.07			1/1					