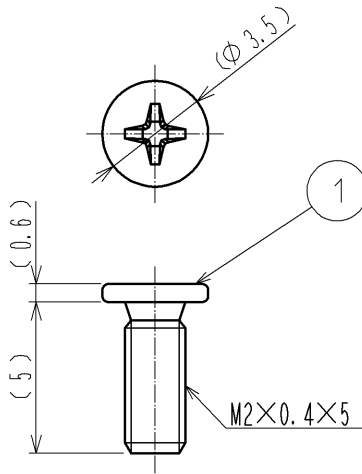
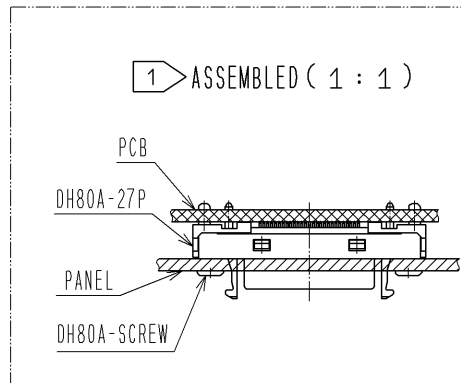


Feb. 1. 2025 Copyright 2025 HIROSE ELECTRIC CO., LTD. All Rights Reserved.  
 In case of consideration for using Automotive equipment / device which demand high reliability, kindly contact our sales window correspondents.



HRS DRAWING FOR REFERENCE

NOTE 1 THIS PRODUCT IS ASSEMBLED TO A 'DH80A-\*\*P'  
 THE APPLICABLE PANEL THICKNESS IS MAX 1.6mm  
 2 THIS PRODUCT IS PACKED IN A BAG. (QUANTITY IN A BAG : 200pcs.)



1	STEEL	NICKEL						
NO.	MATERIAL	FINISH .	REMARKS	NO.	MATERIAL	FINISH .	REMARKS	
UNITS mm		SCALE 4 : 1	COUNT 	DESCRIPTION OF REVISIONS		DESIGNED	CHECKED	DATE
<b>HRS</b> HIROSE ELECTRIC CO., LTD.	APPROVED : AO. SUZUKI	11. 04. 11	DRAWING NO.		EDC4-127363-00			
	CHECKED : KN. ICHIKAWA	11. 04. 11	PART NO.		DH80A-SCREW			
	DESIGNED : MO. SHIMOYAMA	11. 04. 11	CODE NO.		CL244-0059-4-00			
	DRAWN : MO. SHIMOYAMA	11. 04. 11			1/1			