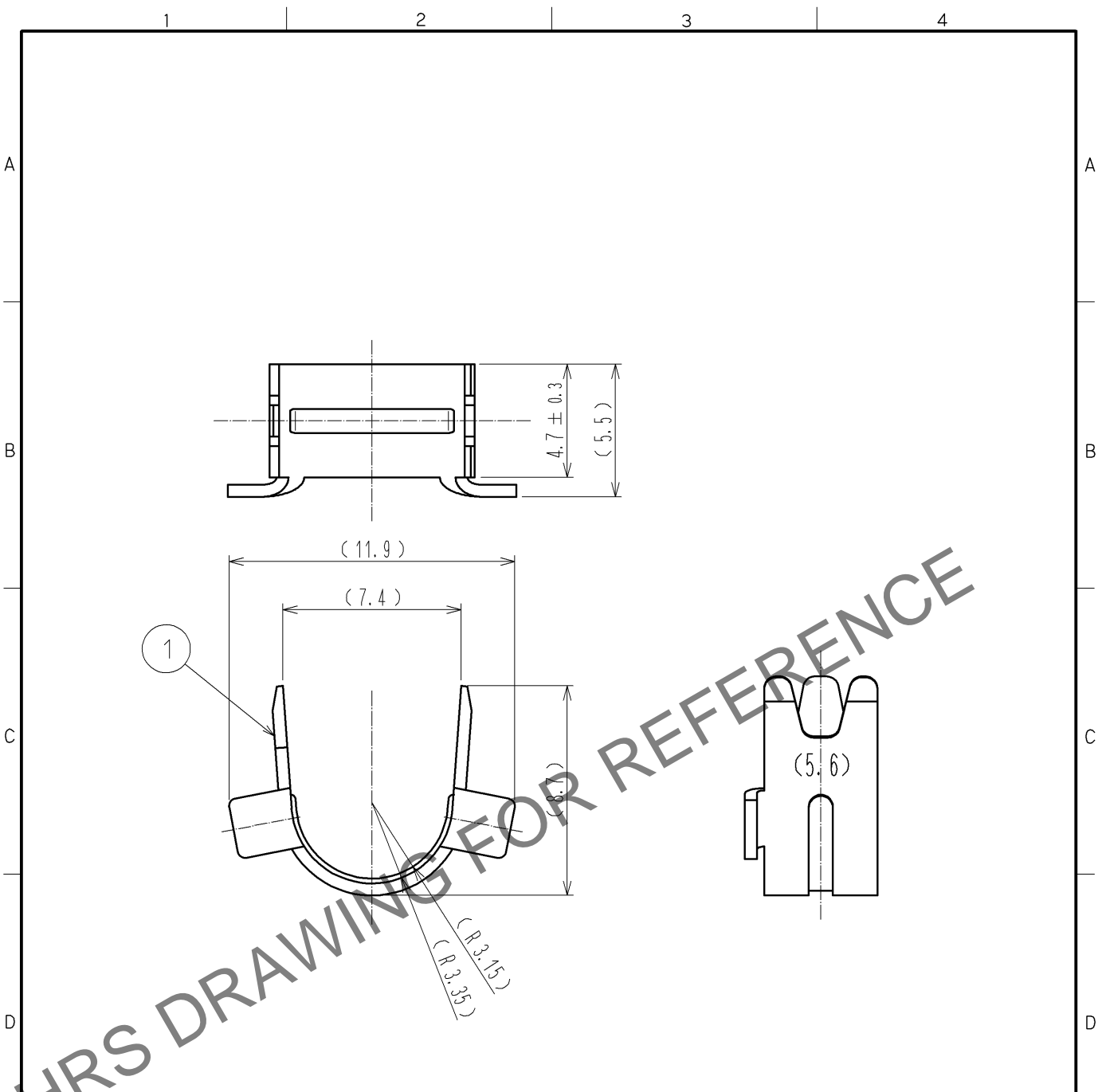


Jan.1.2025 Copyright 2025 HIROSE ELECTRIC CO., LTD. All Rights Reserved.
 In case of consideration for using Automotive equipment / device which demand high reliability, kindly contact our sales window correspondents.



HRS DRAWING FOR REFERENCE

- NOTE 1. THIS PRODUCT IS A CLAMP FOR A COVER CASE 'DH-17-C**B'.
 2. THE APPLICABLE CABLE DIAMETER IS $\phi 5.6$.
 3. THIS PRODUCT IS PACKED IN A BAG.
 (QUANTITY PER BAG MAY VARY DUE TO THE AMOUNT OF EACH ORDER.)

		1		BRASS			
NO.	MATERIAL	FINISH .		REMARKS			
UNITS mm		SCALE 4 : 1		COUNT		DESCRIPTION OF REVISIONS	
						DESIGNED	
						CHECKED	
						DATE	
HIROSE ELECTRIC CO., LTD.		APPROVED :RI. TAKAYASU		11. 09. 13		DRAWING NO. EDC4-127675-00	
		CHECKED :YH. ENAMI		11. 09. 13		PART NO. DH-17-CMB(5. 6)	
		DESIGNED :YH. MAMADA		11. 09. 09		CODE NO. CL244-0064-4-00	
		DRAWN :YH. MAMADA		11. 09. 09		1/1	