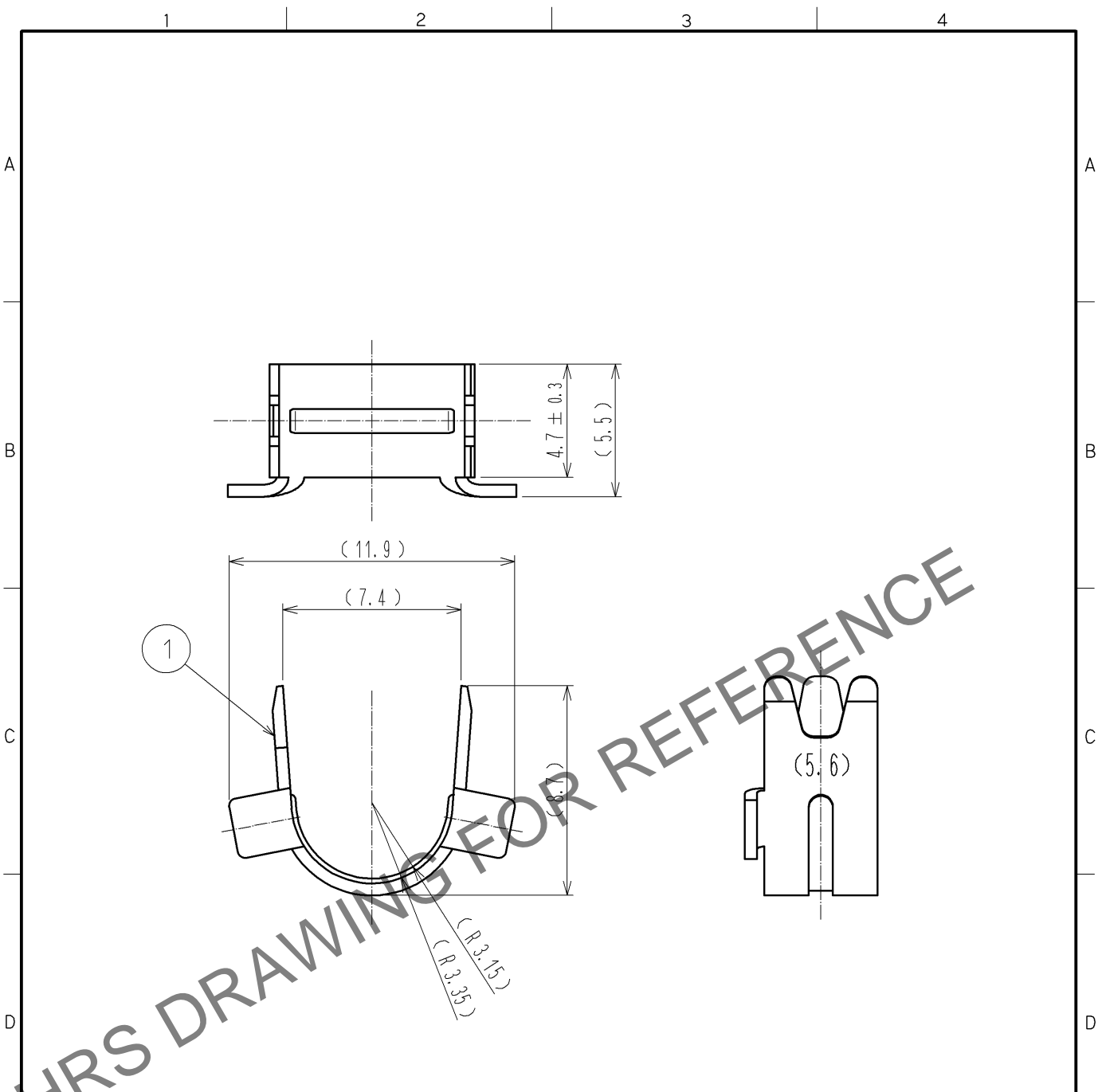


Jan.1.2025 Copyright 2025 HIROSE ELECTRIC CO., LTD. All Rights Reserved.  
 In case of consideration for using Automotive equipment / device which demand high reliability, kindly contact our sales window correspondents.



HRS DRAWING FOR REFERENCE

- NOTE 1. THIS PRODUCT IS A CLAMP FOR A COVER CASE 'DH-17-C\*\*B'.  
 2. THE APPLICABLE CABLE DIAMETER IS  $\phi 5.6$ .  
 3. THIS PRODUCT IS PACKAGE SALE AND IS 100 PCS 1 PACKAGE.

NO.		MATERIAL		FINISH . REMARKS		1		BRASS		FINISH . REMARKS					
UNITS mm				SCALE 4 : 1		COUNT 		DESCRIPTION OF REVISIONS		DESIGNED		CHECKED		DATE	
HIROSE ELECTRIC CO., LTD.		APPROVED : RI. TAKAYASU		11. 09. 13		DRAWING NO.		EDC4-127675-01							
		CHECKED : YH. ENAMI		11. 09. 13		PART NO.		DH-17-CMB(5.6)(01)							
		DESIGNED : YH. MAMADA		11. 09. 09		CODE NO.		CL244-0064-4-01							
		DRAWN : YH. MAMADA		11. 09. 09				1/1							