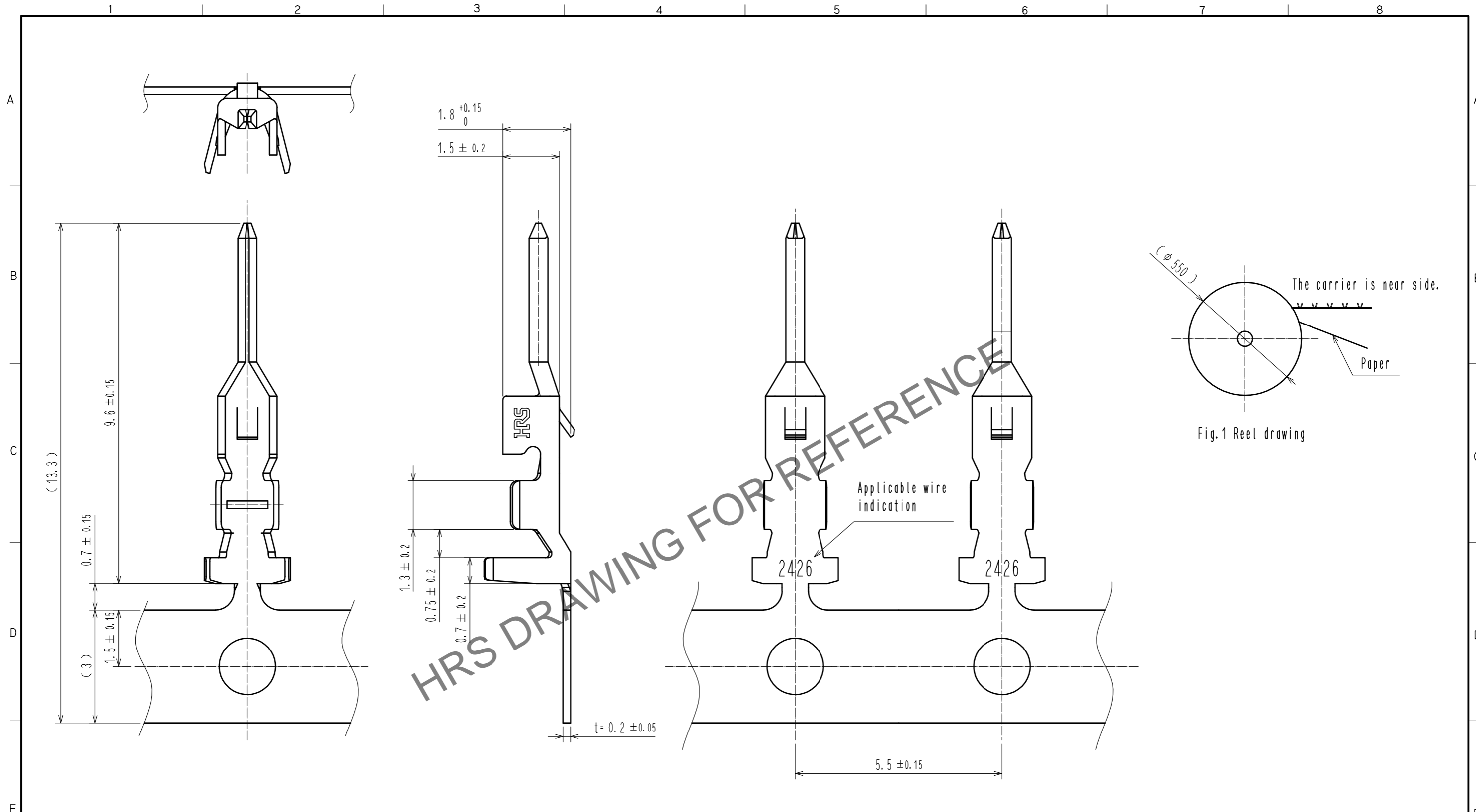


Jun.1.2024 Copyright 2024 HIROSE ELECTRIC CO., LTD. All Rights Reserved.
In case of consideration for using Automotive equipment / device which demand high reliability, kindly contact our sales window correspondents.



- Note:
1. Applicable wire is UL3266 AWG#24-#26. Insulation diameter $\phi 1.49\text{mm}$ max.
 2. Per reel : 10000 contacts.
 3. Applicable crimping machine and crimping conditions (crimp height etc.) will be specified according to AWG # or wire applied.
 4. Refer to ATAI-E3141 for crimp quality standards.
 5. For details of the packaging method of this product, refer to ETAP-E3151.

NO.	MATERIAL	FINISH . REMARKS
1	Copper alloy	Contact area : gold plating min. 0.2 μm Terminal area : tin plating min. 0.5 μm Others: nickel plating min. 0.5 μm

UNITS	SCALE	COUNT	DESCRIPTION OF REVISIONS	DESIGNED	CHECKED	DATE
mm	10:1	1	DIS-E-00013914	KG. OKITA	TU. TANIGUCHI	20230512
APPROVED : AH. KODAMA 20150721			DRAWING NO. EDC-128586-00-00			
CHECKED : AH. KODAMA 20150721			PART NO. MT50A-2426PCFA			
DESIGNED : KI. KAGOTANI 20150721			CODE NO. CL0248-0003-5-00			
DRAWN : KI. KAGOTANI 20150721			1/1			