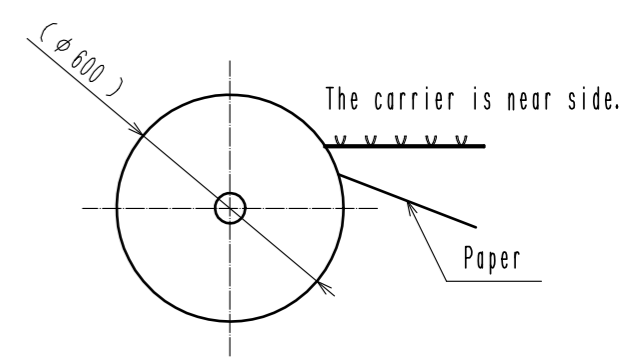
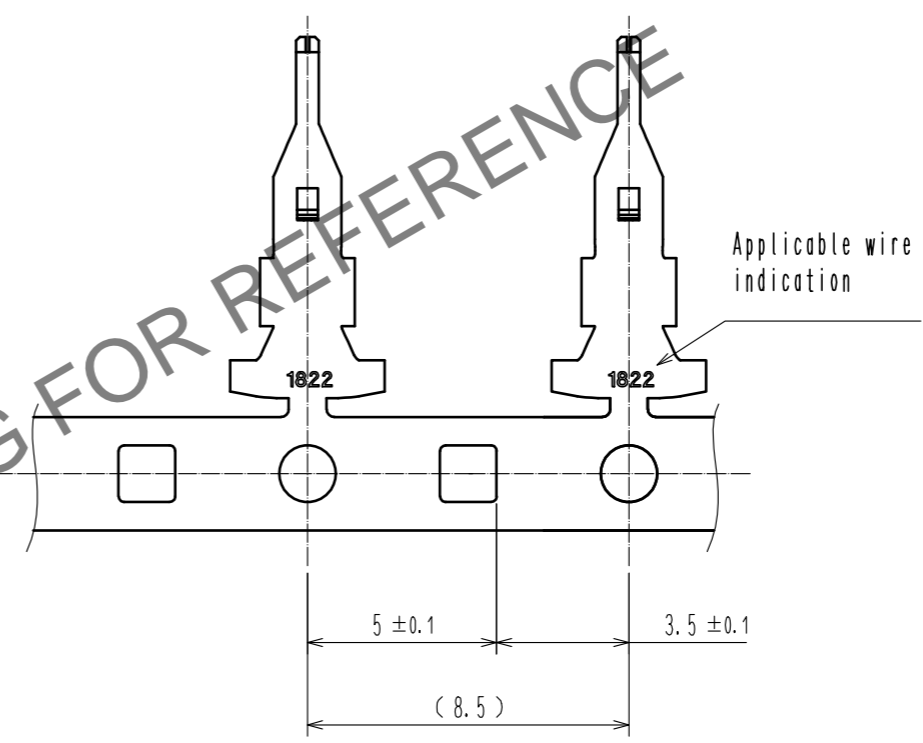
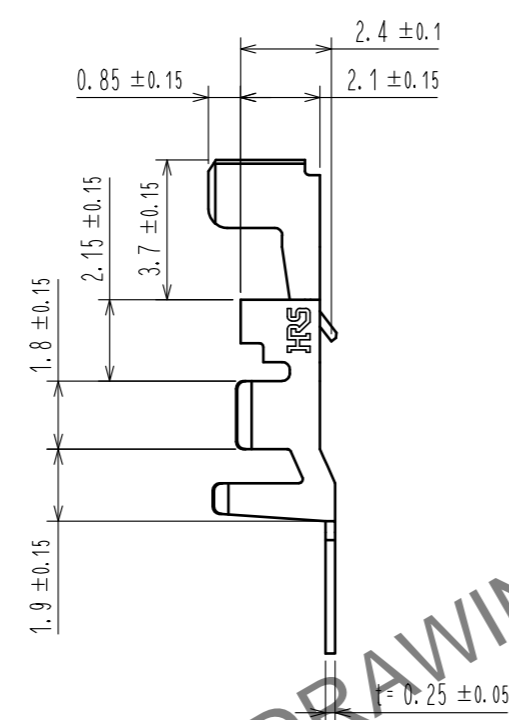
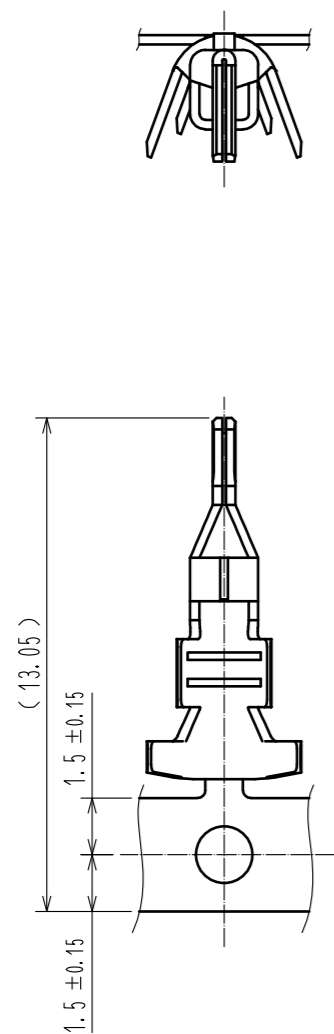


Jun.1.2024 Copyright 2024 HIROSE ELECTRIC CO., LTD. All Rights Reserved.
 In case of consideration for using Automotive equipment / device which demand high reliability, kindly contact our sales window correspondents.



- Note:
1. Applicable wire is UL3266 AWG#18-#22. Insulation diameter ϕ 2.1mm max.
 2. Per reel : 6000 contacts.
 3. Applicable crimping machine and crimping conditions (crimp height etc.) will be specified according to AWG # or wire applied.
 4. Refer to ATA1-E3143 for crimp quality standards.

1	Copper alloy	Contact area : gold plating min. 0.2 μ m Terminal area : tin plating min. 0.5 μ m Others: nickel plating min. 0.5 μ m
NO.	MATERIAL	FINISH . REMARKS

UNITS mm		SCALE 5 : 1	COUNT 	DESCRIPTION OF REVISIONS	DESIGNED	CHECKED	DATE
HIROSE ELECTRIC CO., LTD.				APPROVED : AH. KODAMA 15.07.21	DRAWING NO. EDC-128588-00-00		
				CHECKED : AH. KODAMA 15.07.21	PART NO. MT50B-1822PCFA		
				DESIGNED : KI. KAGOTANI 15.07.21	CODE NO. CL248-0005-0-00		
				DRAWN : KI. KAGOTANI 15.07.21	1/1		