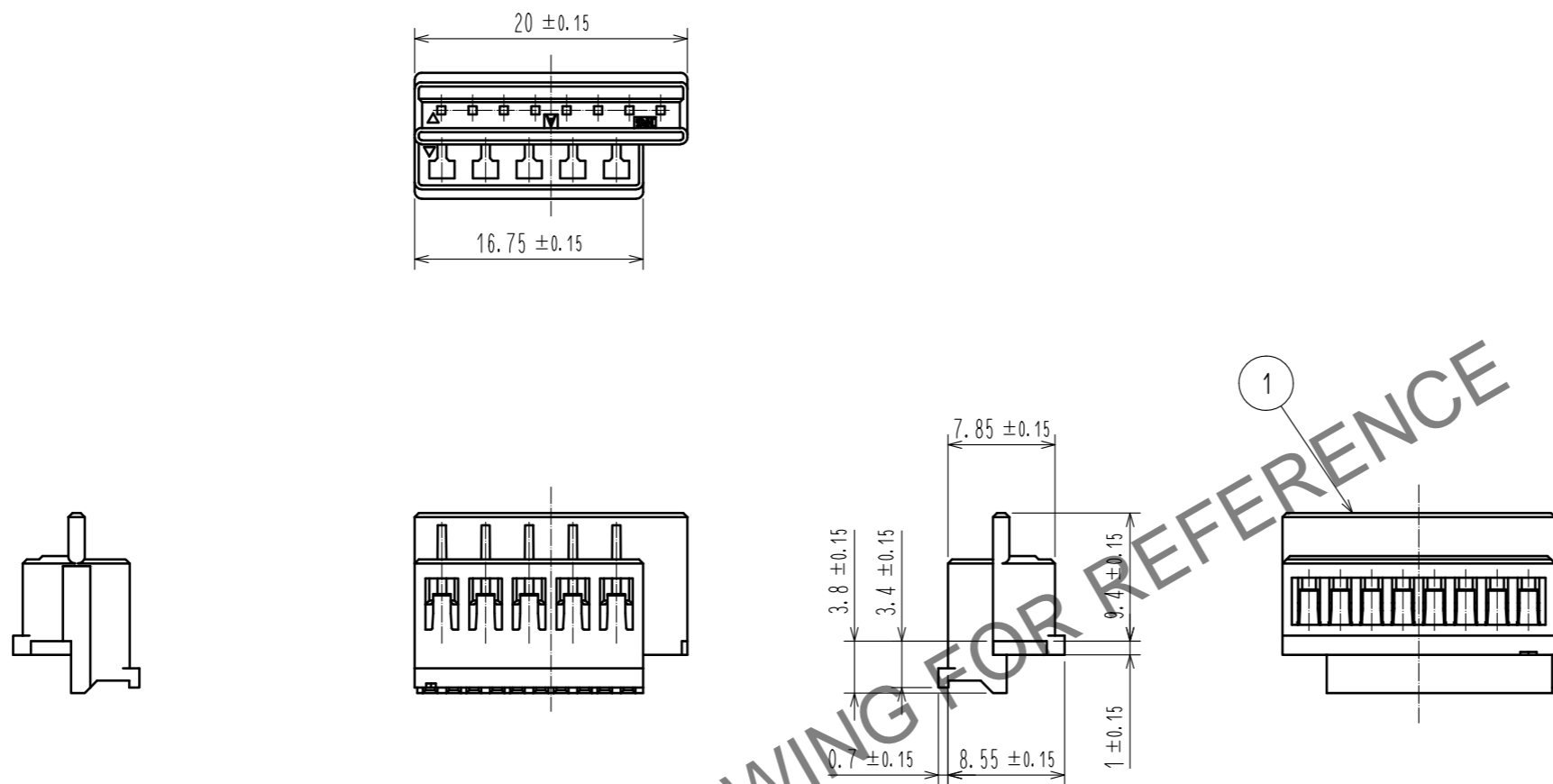


Jun.1.2024 Copyright 2024 HIROSE ELECTRIC CO., LTD. All Rights Reserved.
 In case of consideration for using Automotive equipment / device which demand high reliability, kindly contact our sales window correspondents.



Polarization mark.
 Contact No.1 for Contact MT50B

Polarization mark.
 Contact No.1 for Contact MT50A

- Note:
1. One package consists of 200 pcs.
 2. UL Recognized, cUL Recognized (File No.E52653)
 3. For details of the packaging method of this product, refer to ETAP-E3277.

1	PBT Resin	Black, UL94V-0, PLC2
NO.	MATERIAL	FINISH . REMARKS

UNITS mm		SCALE 2 : 1	COUNT 1	DESCRIPTION OF REVISIONS DIS-E-00013914	DESIGNED KG. OKITA	CHECKED TU. TANIGUCHI	DATE 20230512
HRS HIROSE ELECTRIC CO., LTD.		APPROVED : AH. KODAMA	20150721	DRAWING NO.	EDC-128659-11-00		
		CHECKED : AH. KODAMA	20150721	PART NO.	MT50W-8A/6BP-C(11)		
		DESIGNED : KI. KAGOTANI	20150721	CODE NO.	CLO248-0007-6-11		
		DRAWN : KI. KAGOTANI	20150721		1/1		