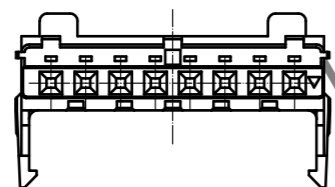
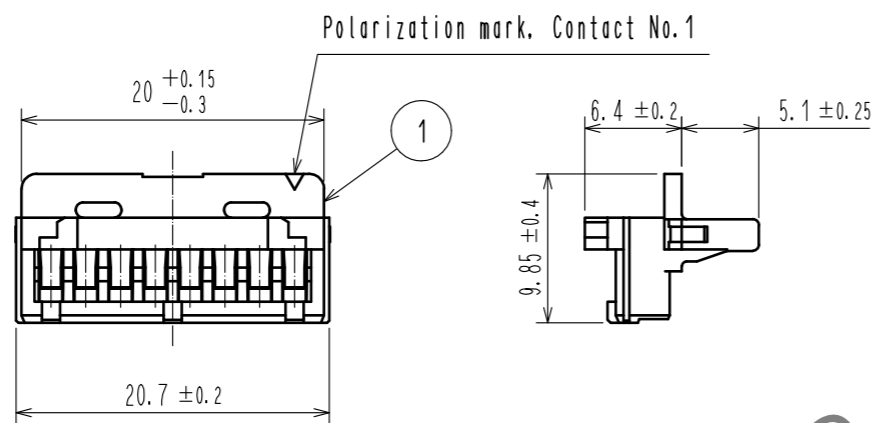
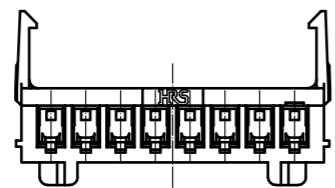


Jun.1.2024 Copyright 2024 HIROSE ELECTRIC CO., LTD. All Rights Reserved.
 In case of consideration for using Automotive equipment / device which demand high reliability, kindly contact our sales window correspondents.



- Note:
- Two bags, each 100 pcs in one box.
 - UL Recognized, cUL Recognized (File No.E52653)
 - For details of the packaging method of this product, refer to ETAP-E3277.

1	PBT Resin	Black, UL94V-0, PLC2
NO.	MATERIAL	FINISH . REMARKS

UNITS mm		SCALE 2 : 1	COUNT 1	DESCRIPTION OF REVISIONS DIS-E-00013914	DESIGNED KG. OKITA	CHECKED TU. TANIGUCHI	DATE 20230512
APPROVED : AH. KODAMA 20150721				DRAWING NO. EDC-128732-11-00			
CHECKED : AH. KODAMA 20150721				PART NO. MT50W-8AS-C(11)			
DESIGNED : KI. KAGOTANI 20150721				CODE NO. CLO248-0008-9-11			
DRAWN : KI. KAGOTANI 20150721				1/1			