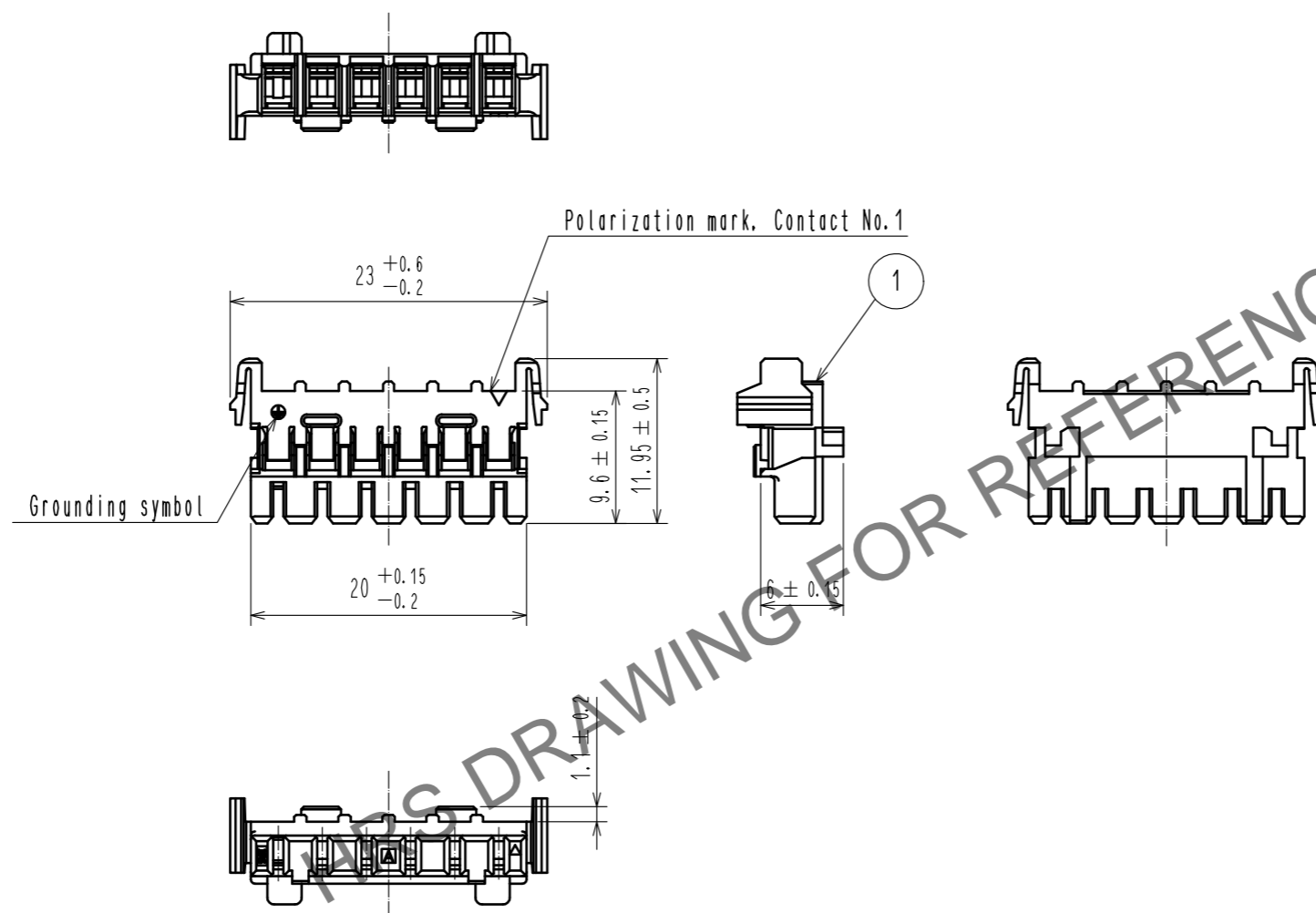


Jun.1.2024 Copyright 2024 HIROSE ELECTRIC CO., LTD. All Rights Reserved.
 In case of consideration for using Automotive equipment / device which demand high reliability, kindly contact our sales window correspondents.



- Note:
1. One package consists of 200 pcs.
 2. UL Recognized, cUL Recognized (File No. E52653)
 3. For details of the packaging method of this product, refer to ETAP-E3277.

1	PBT Resin	White, UL94V-0, PLC2
NO.	MATERIAL	FINISH . REMARKS

UNITS mm		SCALE 2 : 1	COUNT 1	DESCRIPTION OF REVISIONS DIS-E-00013914	DESIGNED KG. OKITA	CHECKED TU. TANIGUCHI	DATE 20230512
HIROSE ELECTRIC CO., LTD.				APPROVED : AH. KODAMA 20150721	DRAWING NO. EDC-128733-11-00		
				CHECKED : AH. KODAMA 20150721	PART NO. MT50W-6BS-C(11)		
				DESIGNED : KI. KAGOTANI 20150721	CODE NO. CLO248-0009-1-11		
				DRAWN : KI. KAGOTANI 20150721	1/1		