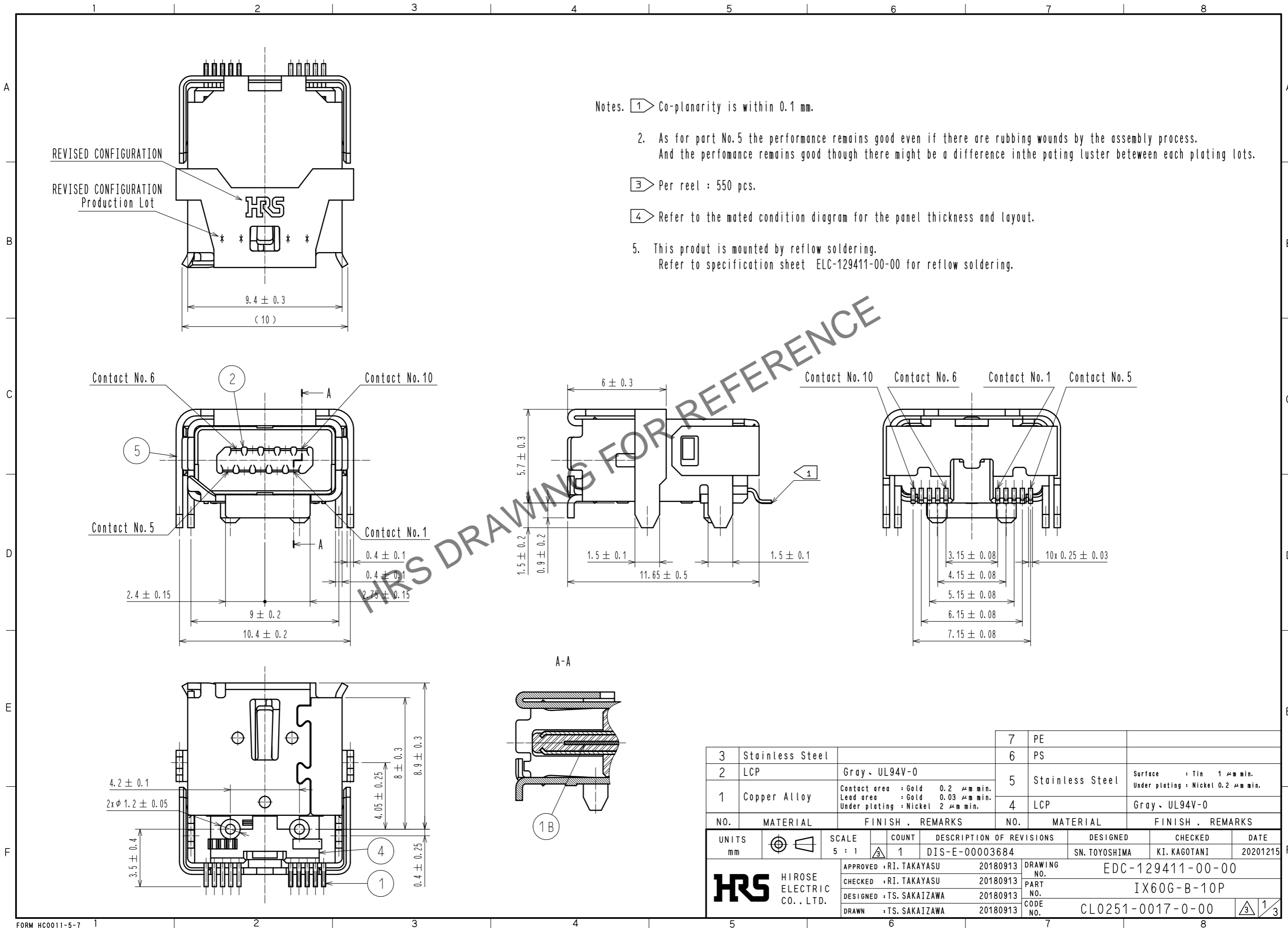


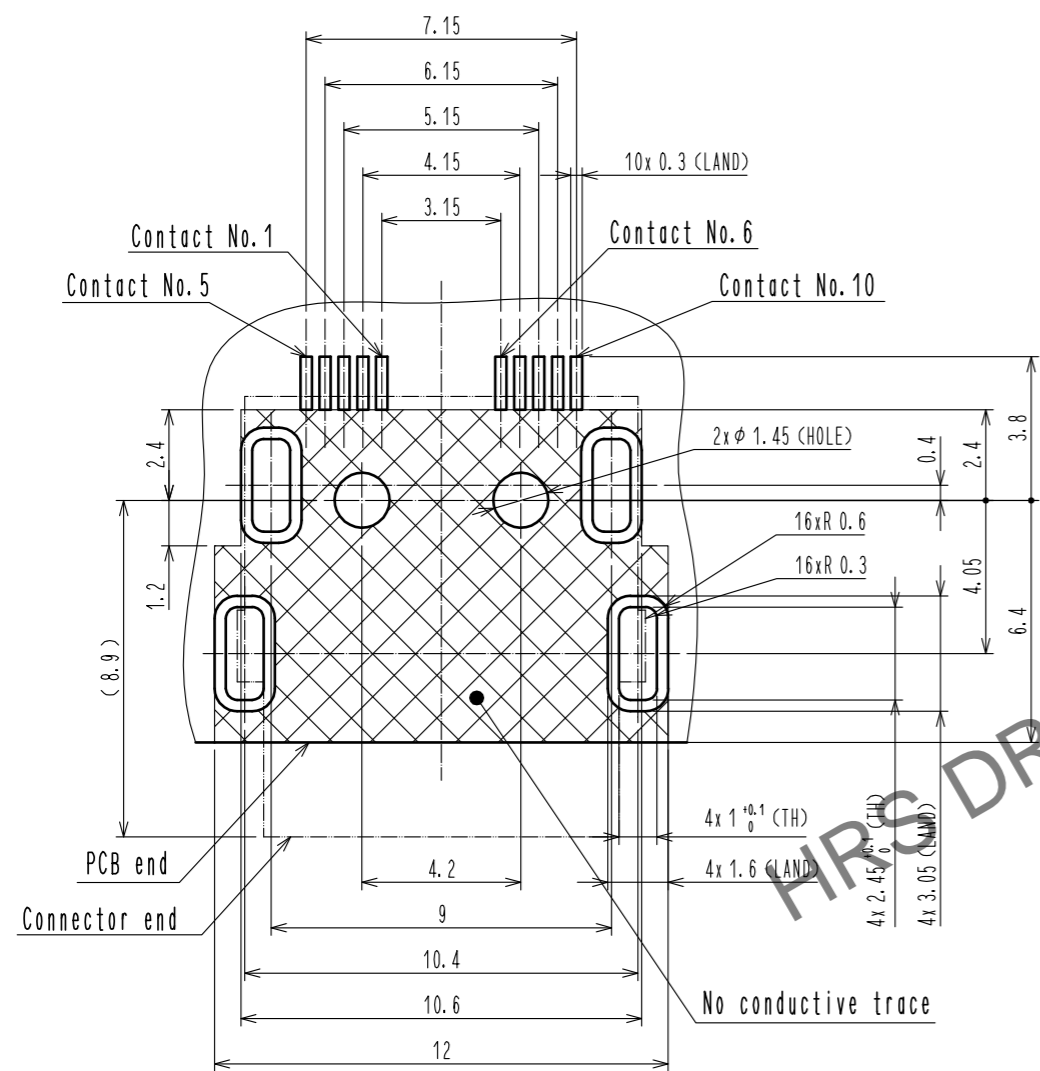
Apr.1.2024 Copyright 2024 HIROSE ELECTRIC CO., LTD. All Rights Reserved.  
 In case of consideration for using Automotive equipment / device which demand high reliability, kindly contact our sales window correspondents.



3	Stainless Steel		7	PE	
2	LCP	Gray - UL94V-0	6	PS	
1	Copper Alloy	Contact area : Gold 0.2 μm min. Lead area : Gold 0.03 μm min. Under plating : Nickel 2 μm min.	5	Stainless Steel	Surface : Tin 1 μm min. Under plating : Nickel 0.2 μm min.
			4	LCP	Gray - UL94V-0
NO.	MATERIAL	FINISH . REMARKS	NO.	MATERIAL	FINISH . REMARKS
UNITS	mm	SCALE	5 : 1	COUNT	1
		DESCRIPTION OF REVISIONS	DESIGNED	CHECKED	DATE
		DIS-E-00003684	SN. TOYOSHIMA	KI. KAGOTANI	20201215
APPROVED : RI. TAKAYASU		20180913	DRAWING NO. EDC-129411-00-00		
CHECKED : RI. TAKAYASU		20180913	PART NO. IX60G-B-10P		
DESIGNED : TS. SAKAIZAWA		20180913	CODE NO. CL0251-0017-0-00		
DRAWN : TS. SAKAIZAWA		20180913	1/3		

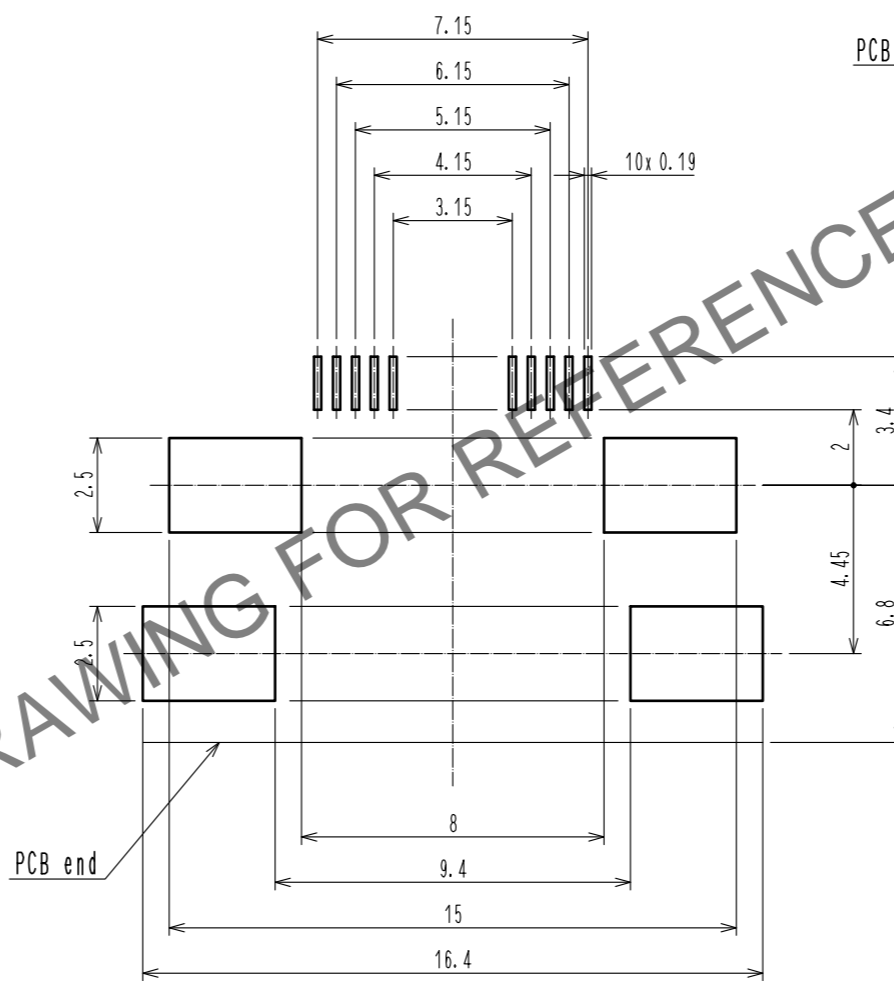
Apr.1.2024 Copyright 2024 HIROSE ELECTRIC CO., LTD. All Rights Reserved.  
 In case of consideration for using Automotive equipment / device which demand high reliability, kindly contact our sales window correspondents.

Reference PCB Layout (Connector Mounting Side) (t = 1.6)



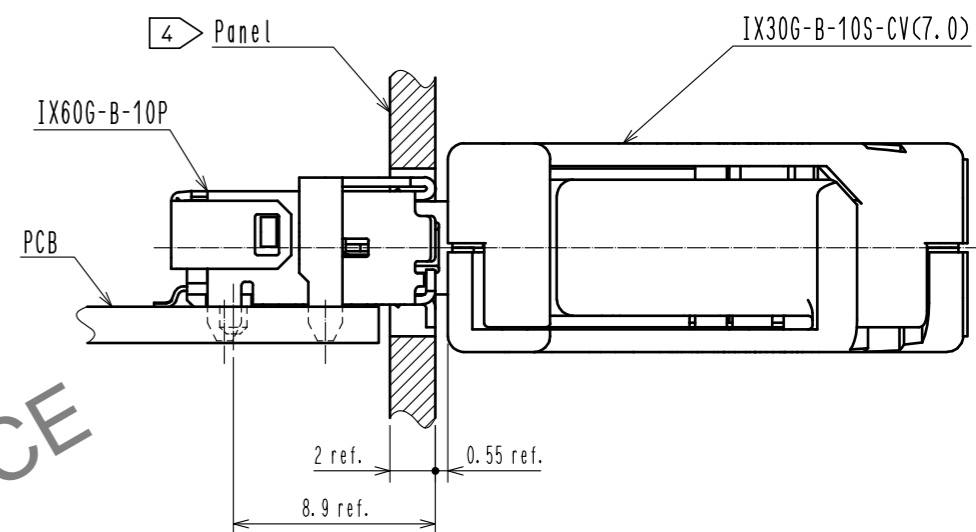
General tolerance is +/- 0.05

Reference Metal Mask Layout (t = 0.15)

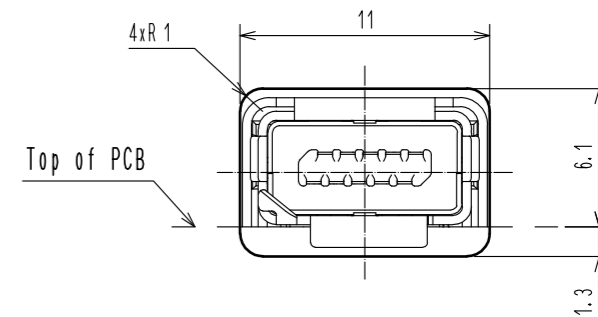


General tolerance is +/- 0.02

Mated Condition (Free)



Reference Dimensions of Panel Cutout (Free)



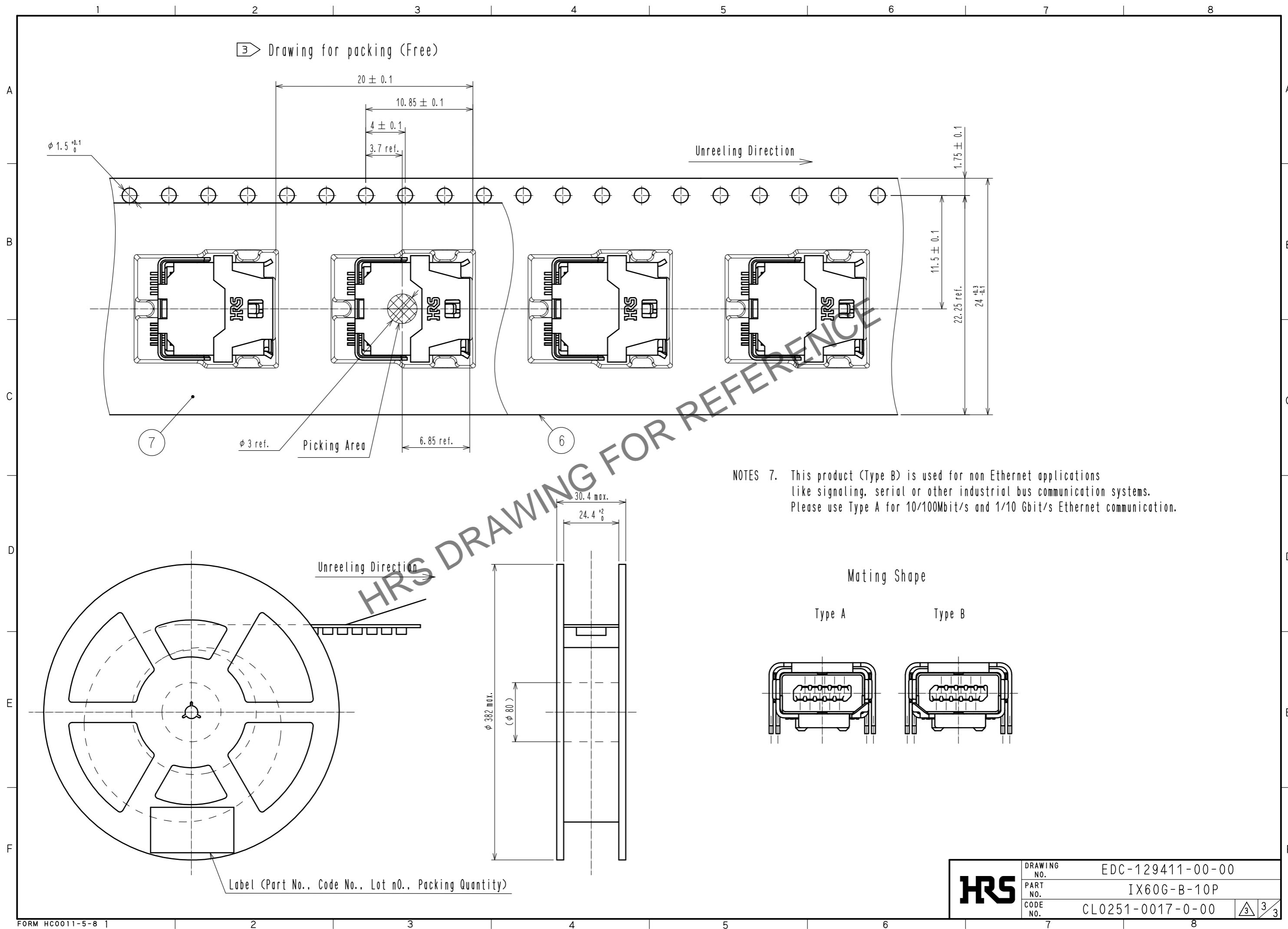
Dimension is reference.

- Thickness of metal mask is 0.1 mm min.
- Metal mask dimensions of the drawings described, are reference dimensions for 0.15 mm thickness metal mask.
- Change the metal mask dimensions by thickness of the metal mask, thickness of PCB, component of solder paste and mounting conditions.
- Change the metal mask dimensions in case of mounting IX60G-+-10P in parallel.
- Change the metal mask dimensions, if there are other mounting parts or implementation pattern around the portion of mounting position of IX60G-+-10P.

(Deleted)

<b>HRS</b>	DRAWING NO.	EDC-129411-00-00		2/3
	PART NO.	IX60G-B-10P		
	CODE NO.	CL0251-0017-0-00		

Apr.1.2024 Copyright 2024 HIROSE ELECTRIC CO., LTD. All Rights Reserved.  
 In case of consideration for using Automotive equipment / device which demand high reliability, kindly contact our sales window correspondents.



NOTES 7. This product (Type B) is used for non Ethernet applications like signaling, serial or other industrial bus communication systems. Please use Type A for 10/100Mbit/s and 1/10 Gbit/s Ethernet communication.

<b>HRS</b>	DRAWING NO.	EDC-129411-00-00	3/3
	PART NO.	IX60G-B-10P	
	CODE NO.	CL0251-0017-0-00	