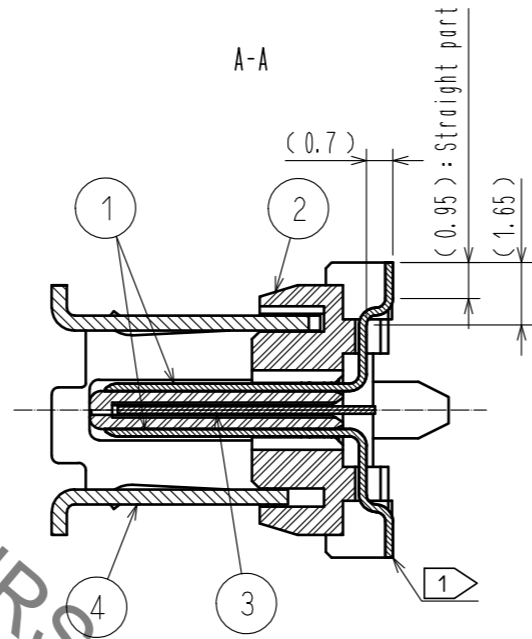
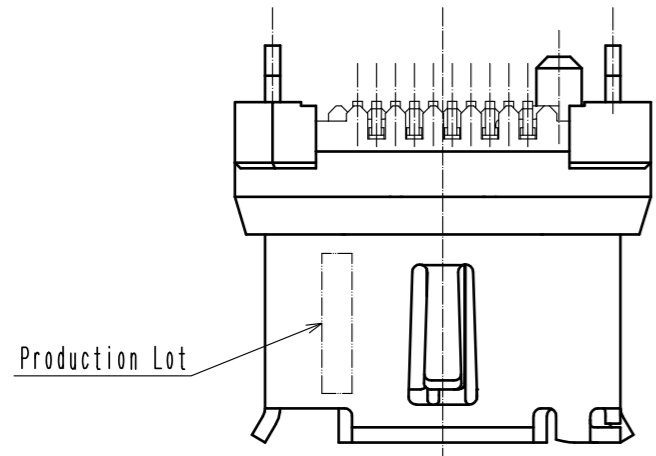
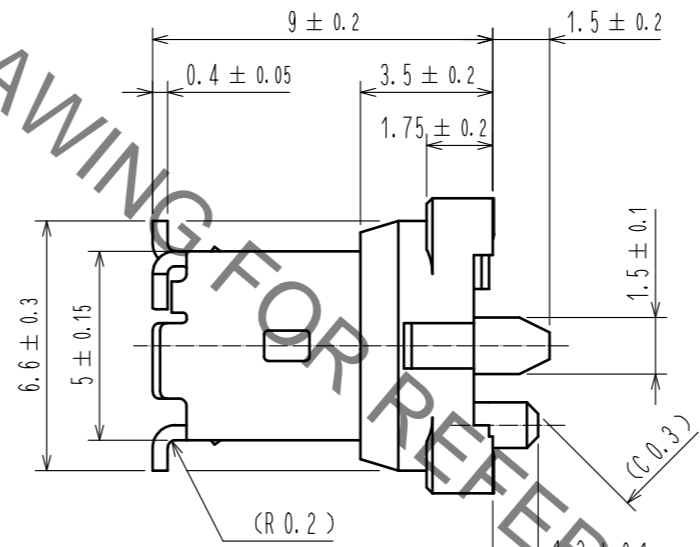
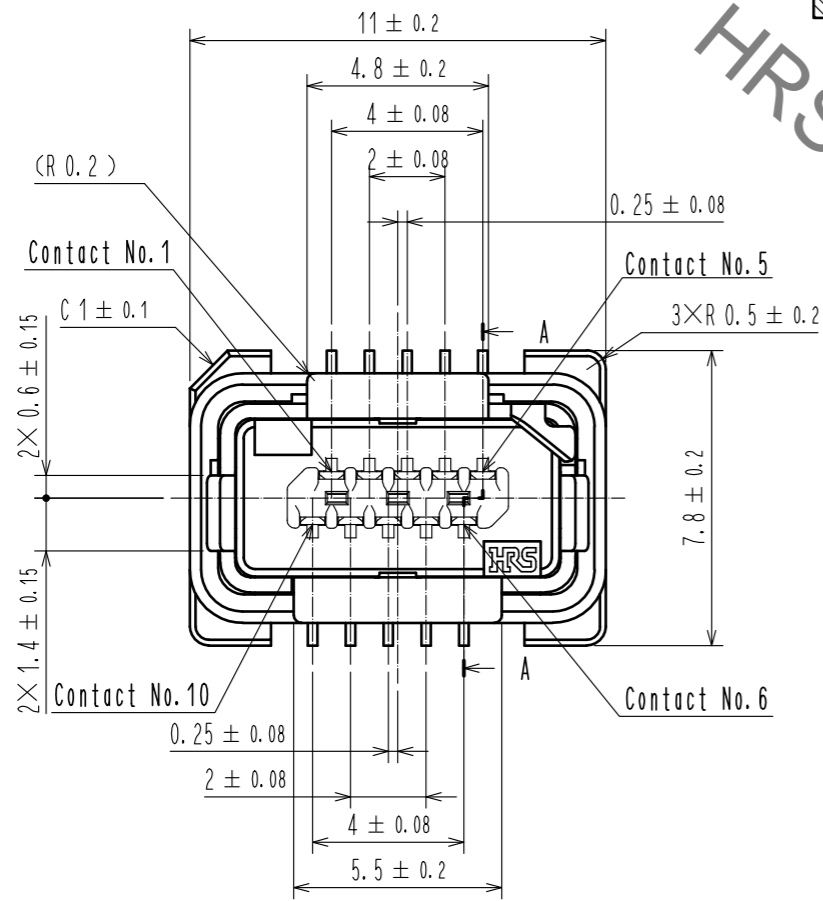


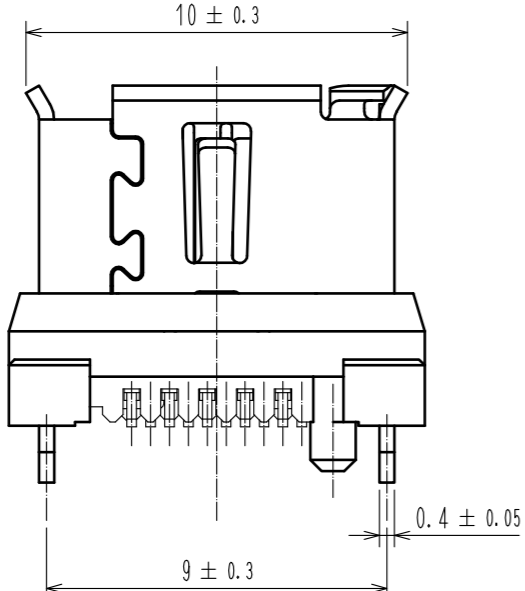
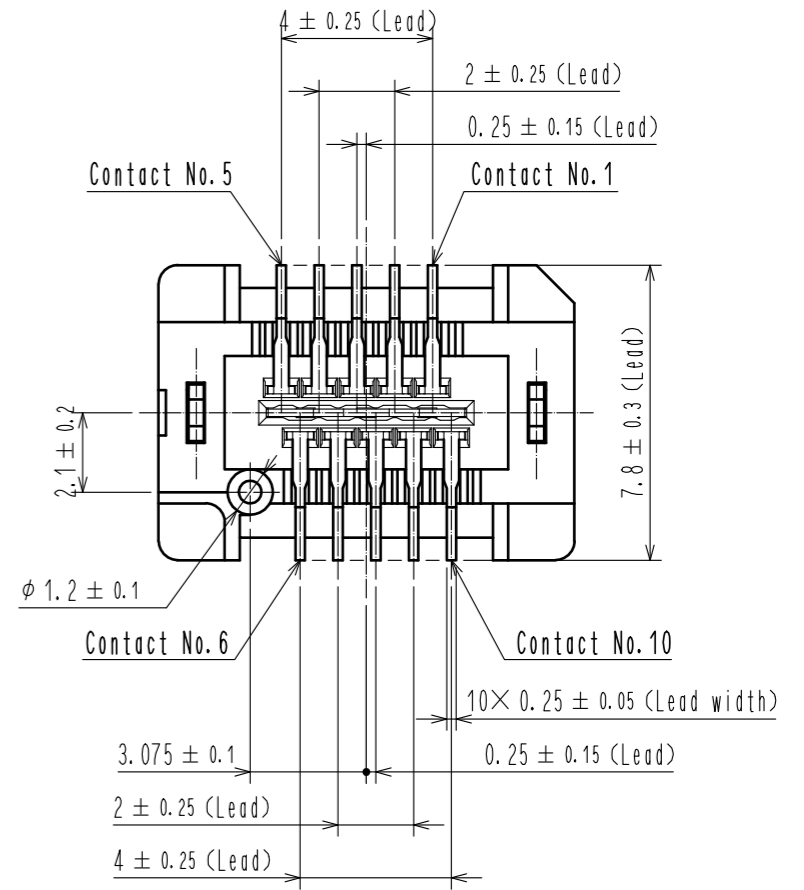
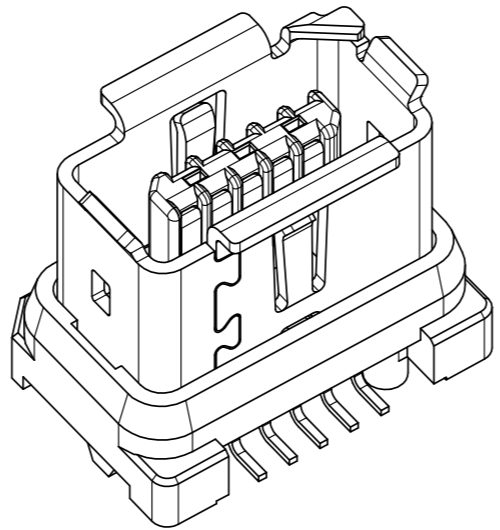
Aug.1.2022 Copyright 2022 HIROSE ELECTRIC CO., LTD. All Rights Reserved.
In case of consideration for using Automotive equipment / device which demand high reliability, kindly contact our sales window correspondents.



- Notes.
- ① Co-planarity is within 0.1 mm.
 - ② As for part No.4 the performance remains good though there might be a difference in the plating luster between each plating lots.
 - ③ Per reel : 450 pcs.
The vacuum cap (part No.5) is attached to this product at delivery.
 - ④ Refer to the mated condition diagram for the panel thickness and layout.
 - ⑤ This product is mounted by reflow soldering.
Refer to specification sheet ELC-129413-00-00 for reflow soldering.

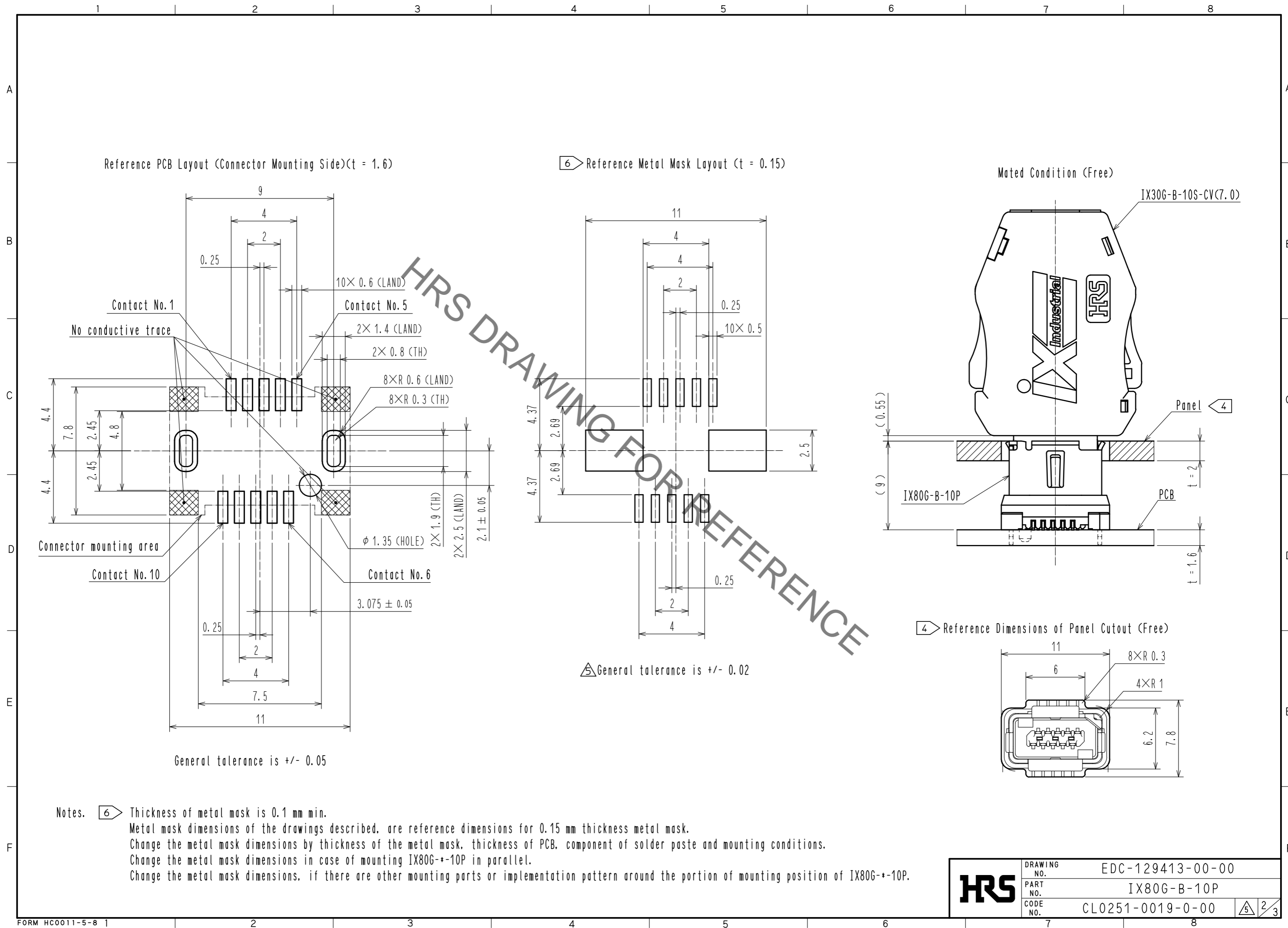


3D image



3	Stainless Steel		7	PE	
2	Polyamide	Gray, UL94V-0	6	PS	
1	Copper Alloy	Contact area : Gold 0.2 μm min. Lead area : Gold 0.03 μm min. Under plating : Nickel 2 μm min.	5	Polyamide	Black, UL94V-0
			4	Stainless Steel	Surface : Tin 1 μm min. Under plating : Nickel 0.2 μm min.
NO.	MATERIAL	FINISH, REMARKS	NO.	MATERIAL	FINISH, REMARKS
UNITS	mm	SCALE 5 : 1	COUNT 1	DESCRIPTION OF REVISIONS	DESIGNED SN. TOYOSHIMA
				DIS-E-00007620	CHECKED KI. KAGOTANI
					DATE 20211111
APPROVED : RI. TAKAYASU		20180423	DRAWING NO. EDC-129413-00-00		
CHECKED : KI. NAGANUMA		20180420	PART NO. IX80G-B-10P		
DESIGNED : YS. SAKODA		20180420	CODE NO. CL0251-0019-0-00		
DRAWN : YS. SAKODA		20180420	1/3		

Aug.1.2022 Copyright 2022 HIROSE ELECTRIC CO., LTD. All Rights Reserved.
 In case of consideration for using Automotive equipment / device which demand high reliability, kindly contact our sales window correspondents.

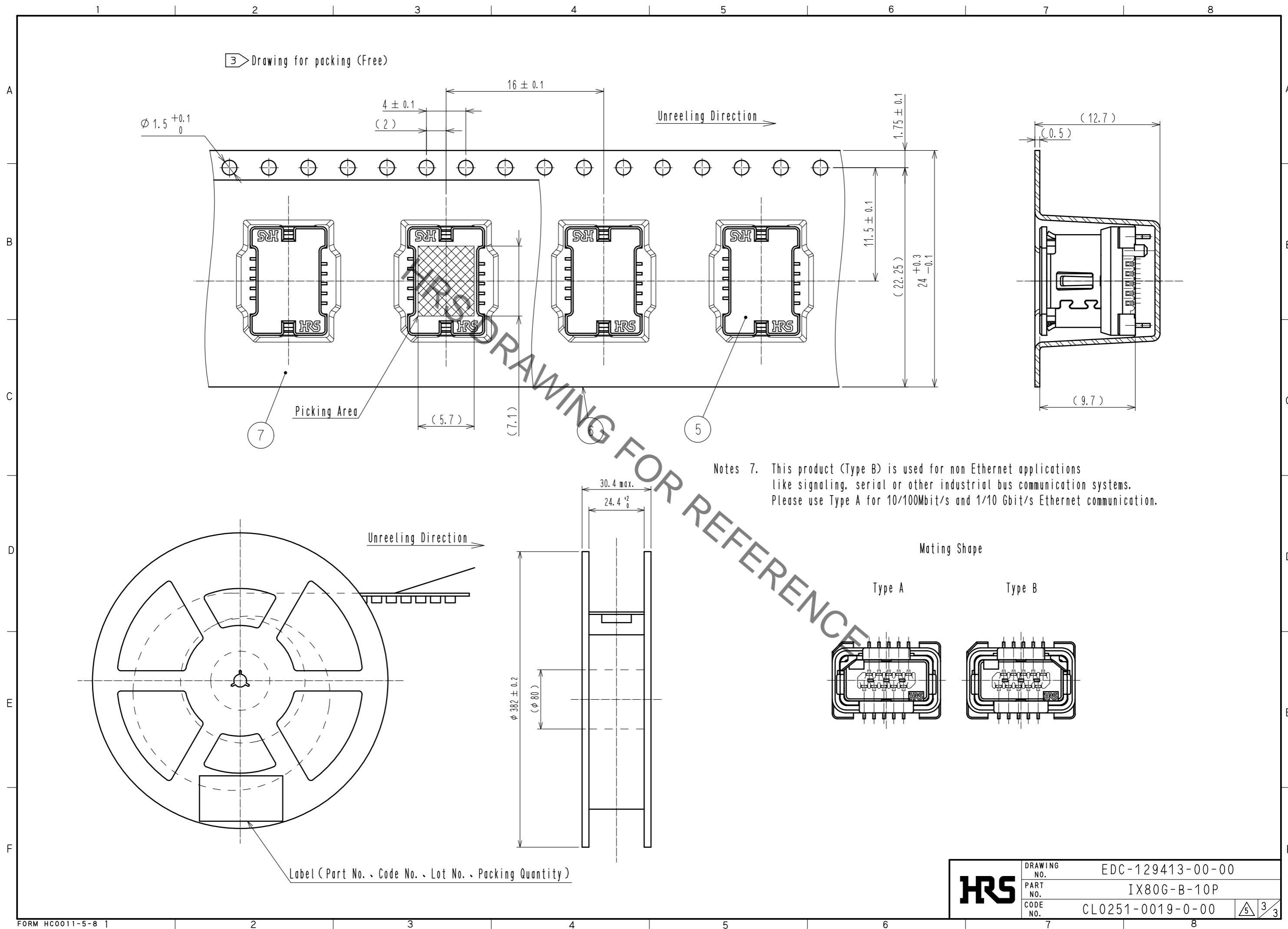


HRS DRAWING FOR REFERENCE

Notes. 6 Thickness of metal mask is 0.1 mm min.
 Metal mask dimensions of the drawings described, are reference dimensions for 0.15 mm thickness metal mask.
 Change the metal mask dimensions by thickness of the metal mask, thickness of PCB, component of solder paste and mounting conditions.
 Change the metal mask dimensions in case of mounting IX80G-+-10P in parallel.
 Change the metal mask dimensions, if there are other mounting parts or implementation pattern around the portion of mounting position of IX80G-+-10P.

HRS	DRAWING NO.	EDC-129413-00-00
	PART NO.	IX80G-B-10P
	CODE NO.	CL0251-0019-0-00
		5 / 2 / 3

Aug.1.2022 Copyright 2022 HIROSE ELECTRIC CO., LTD. All Rights Reserved.
 In case of consideration for using Automotive equipment / device which demand high reliability, kindly contact our sales window correspondents.



HRS	DRAWING NO.	EDC-129413-00-00	3/3
	PART NO.	IX80G-B-10P	
	CODE NO.	CL0251-0019-0-00	