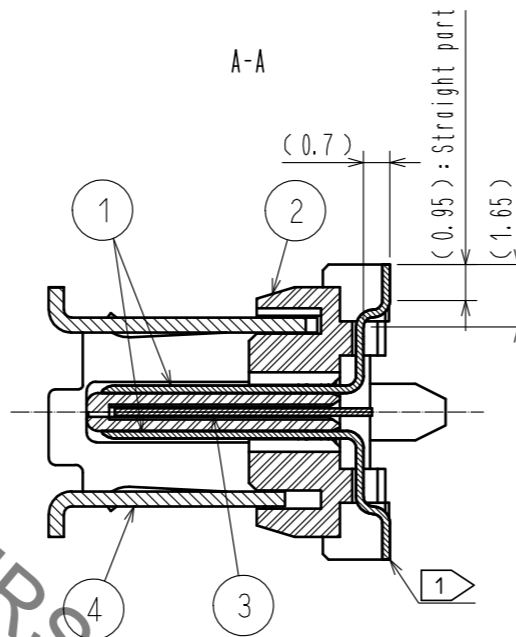
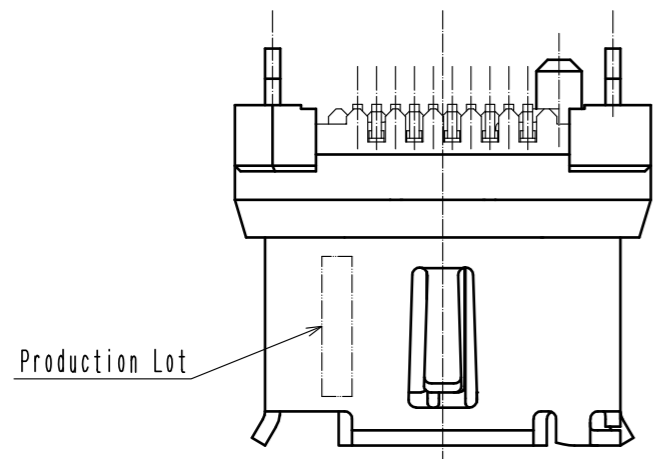
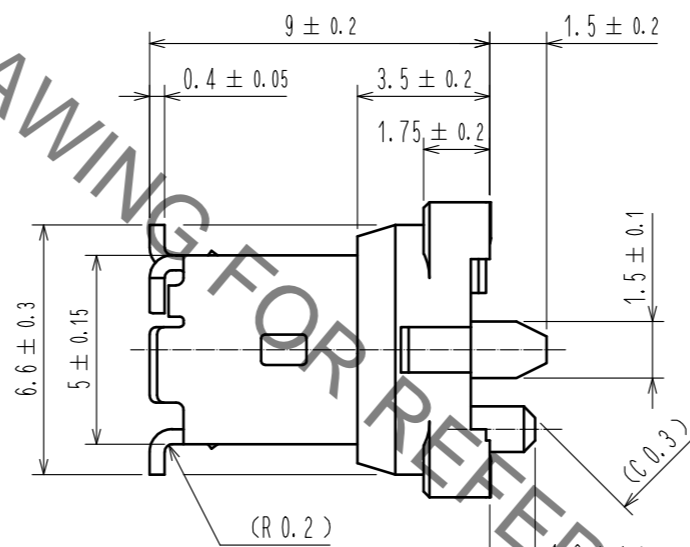
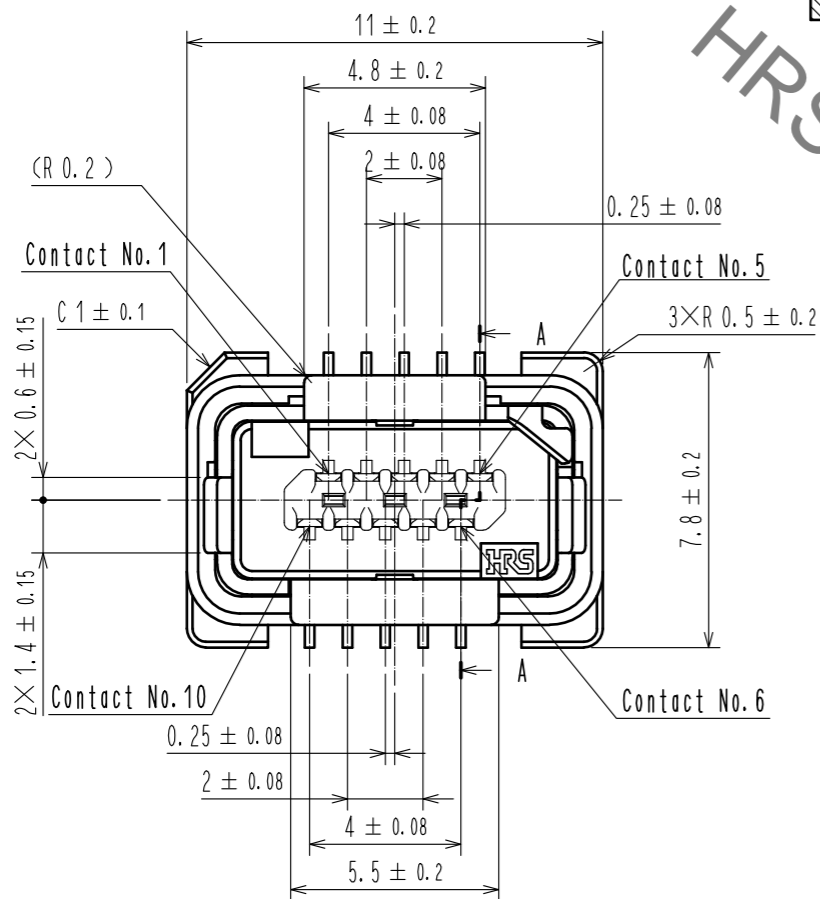


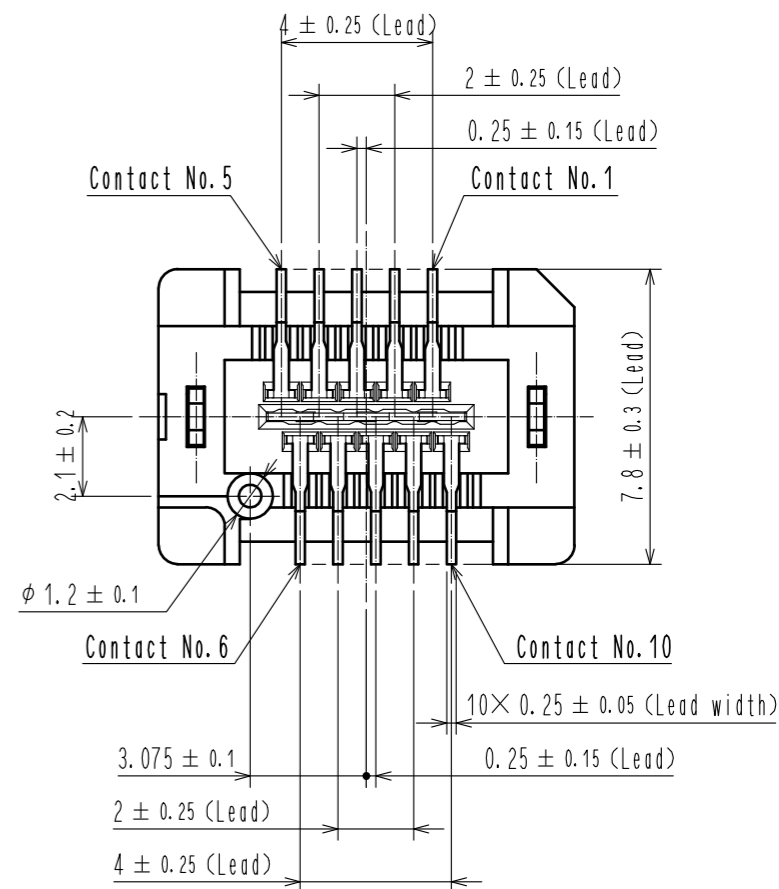
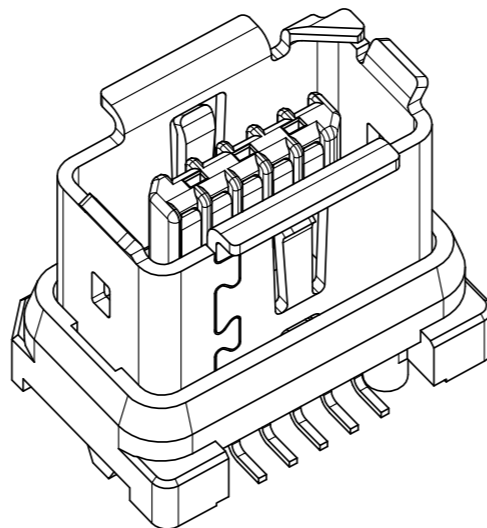
Aug.1.2022 Copyright 2022 HIROSE ELECTRIC CO., LTD. All Rights Reserved.
In case of consideration for using Automotive equipment / device which demand high reliability, kindly contact our sales window correspondents.



- Notes.
- ① Co-planarity is within 0.1 mm.
 - ② As for part No.4 the performance remains good though there might be a difference in the plating luster between each plating lots.
 - ③ Per reel : 450 pcs.
The vacuum cap (part No.5) is attached to this product at delivery.
 - ④ Refer to the mated condition diagram for the panel thickness and layout.
 - ⑤ This product is mounted by reflow soldering.
Refer to specification sheet ELC-129413-01-00 for reflow soldering.

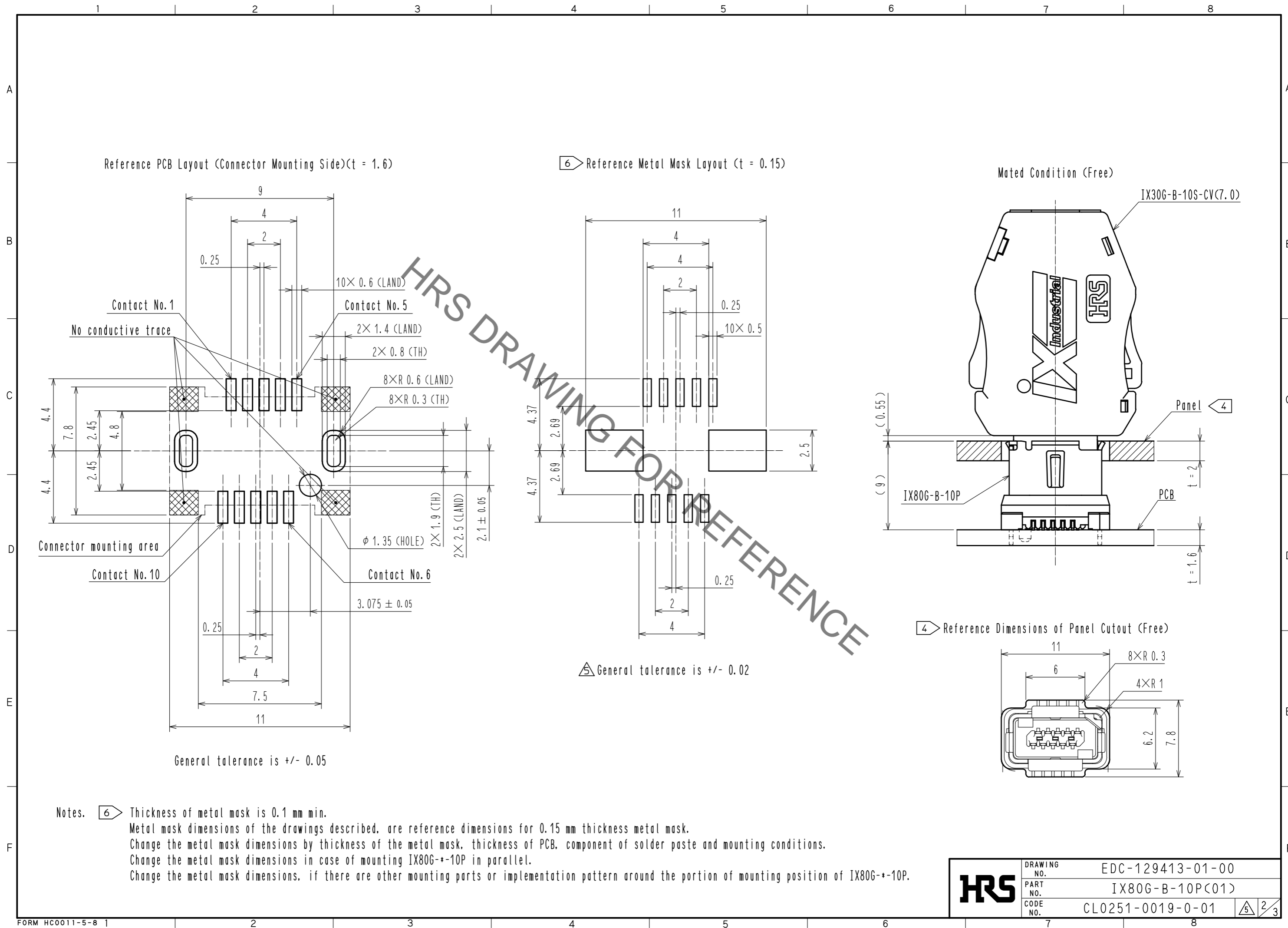


3D image



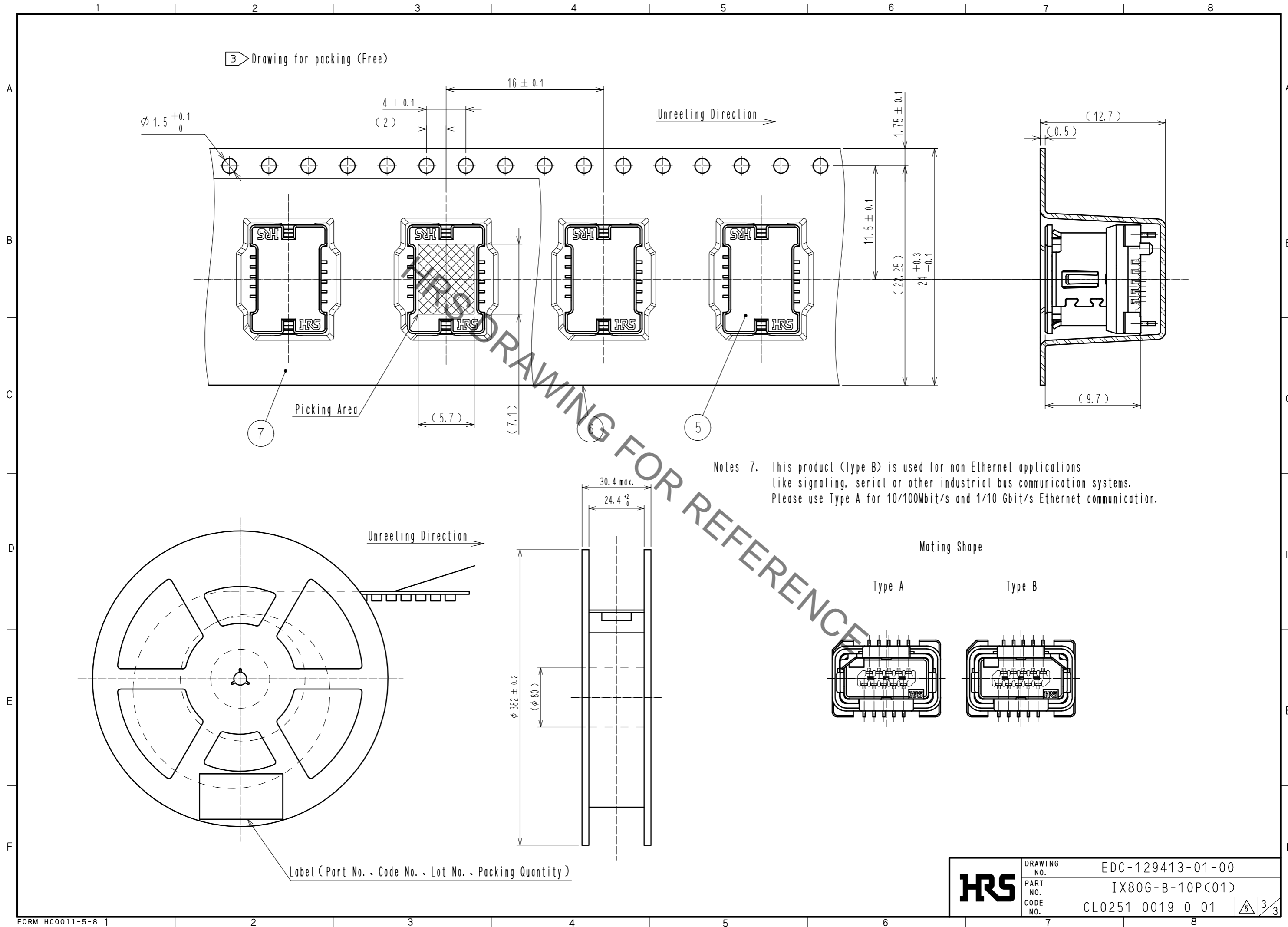
3	Stainless Steel		7	PE			
2	Polyamide	Gray, UL94V-0	6	PS			
1	Copper Alloy	Contact area : Palladium-Nickel 0.75 μm min. + Gold 0.05 μm min. Lead area : Gold 0.03 μm min. Under plating : Nickel 1.27 μm min.	5	Polyamide	Black, UL94V-0		
			4	Stainless Steel	Surface : Tin 1 μm min. Under plating : Nickel 0.2 μm min.		
NO.	MATERIAL	FINISH . REMARKS	NO.	MATERIAL	FINISH . REMARKS		
UNITS	mm	SCALE	COUNT	DESCRIPTION OF REVISIONS	DESIGNED	CHECKED	DATE
		5 : 1	1	DIS-E-00007620	SN. TOYOSHIMA	KI. KAGOTANI	20211111
APPROVED : KI. NAGANUMA		20180628	DRAWING NO.		EDC-129413-01-00		
CHECKED : KI. NAGANUMA		20180628	PART NO.		IX80G-B-10P(C01)		
DESIGNED : YS. SAKODA		20180628	CODE NO.		CL0251-0019-0-01		
DRAWN : YS. SAKODA		20180628			1/3		

Aug.1.2022 Copyright 2022 HIROSE ELECTRIC CO., LTD. All Rights Reserved.
 In case of consideration for using Automotive equipment / device which demand high reliability, kindly contact our sales window correspondents.



HRS	DRAWING NO.	EDC-129413-01-00	5 / 2 / 3
	PART NO.	IX80G-B-10P(01)	
	CODE NO.	CL0251-0019-0-01	

Aug.1.2022 Copyright 2022 HIROSE ELECTRIC CO., LTD. All Rights Reserved.
 In case of consideration for using Automotive equipment / device which demand high reliability, kindly contact our sales window correspondents.



HRS	DRAWING NO.	EDC-129413-01-00	3/3
	PART NO.	IX80G-B-10P(01)	
	CODE NO.	CL0251-0019-0-01	