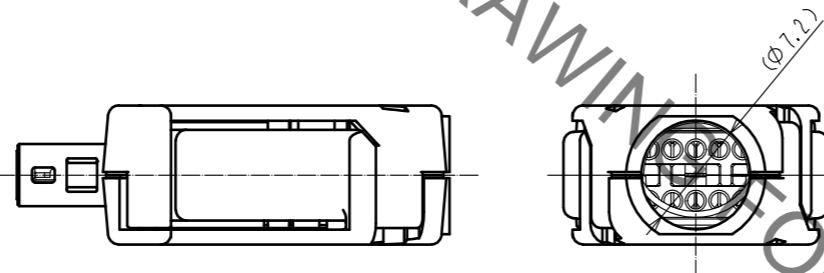
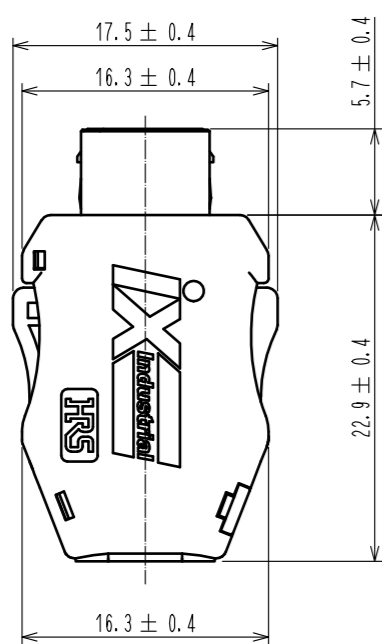
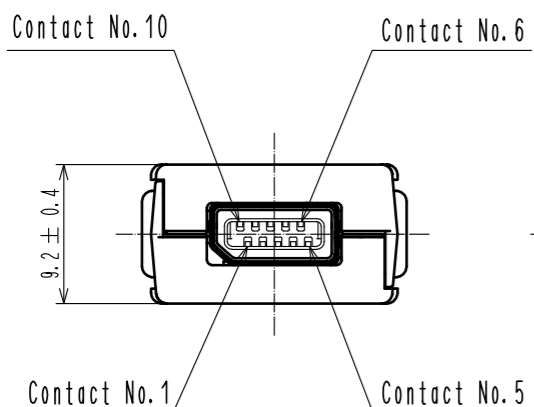
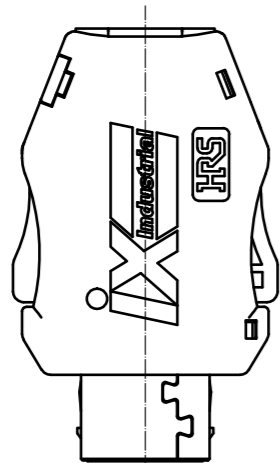


Aug.1.2022 Copyright 2022 HIROSE ELECTRIC CO., LTD. All Rights Reserved.
In case of consideration for using Automotive equipment / device which demand high reliability, kindly contact our sales window correspondents.



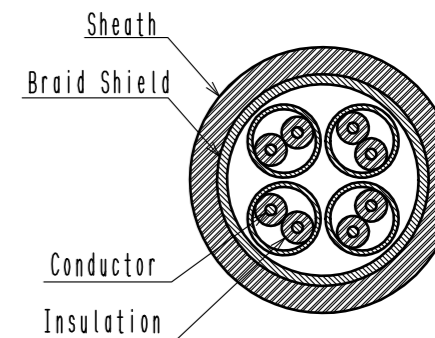
2 Pin Assignment For 10/100 Mbit/s And 1/10 Gbit/s Ethernet

Contact No.	Signal	
	10/100 Mbit/s	1/10 Gbit/s
1	TX+	BI_DA+
2	TX-	BI_DA-
3	N. C	N. C
4	N. C	BI_DC+
5	N. C	BI_DC-
6	RX+	BI_DB+
7	RX-	BI_DB-
8	N. C	N. C
9	N. C	BI_DD+
10	N. C	BI_DD-

Notes. 1. Recommended cable condition is shown below.
 ⚠ A list of compatible cables is available on the Hirose website.
 When using a non-recommended cable, please contact a Hirose sales representative.
 Refer to the technical specification (ETAD-E3162) for wiring and assembly procedures.

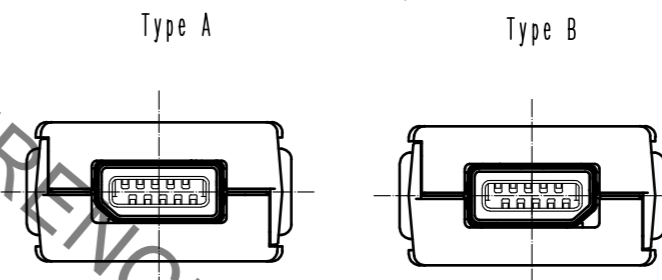
⚠ Recommended Cable

Items		Recommended Condition
Conductor	Size	AWG#28 to 26
	Composition	7 stranded
	Material	Annealed copper wire
Insulation O. D.		φ 0.95 to 1.05mm
Braid Shield		Tin plating
Sheath O. D.		φ 6.3 to 7.2mm



2 This product (Type A) is defined for 10/100 Mbit/s and 1/10 Gbit/s Ethernet communication. Please use Type B for all other non Ethernet applications like signaling, serial or other industrial bus communication systems.

⚠ Mating Key



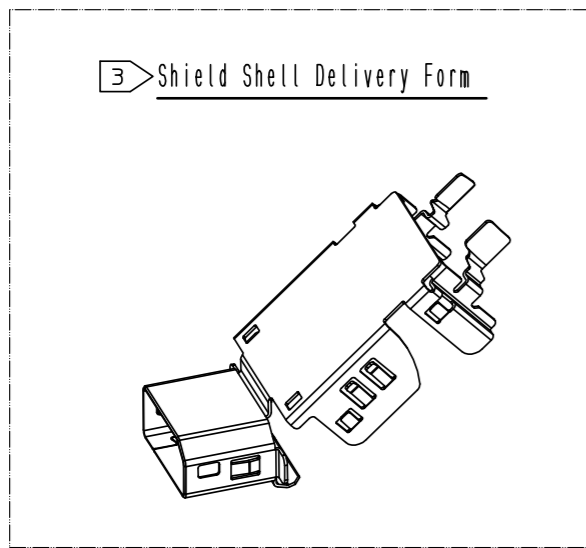
⚠ 3 Excluding the plug unit, this product is packaged separately by the type of parts. The shield shell is packaged prior to bending. (See next page.)

NO.	MATERIAL	FINISH	REMARKS	NO.	MATERIAL	FINISH	REMARKS
3	Stainless Steel			8	PC		Dark gray, UL94V-0
2	PA		Black, UL94V-0	7	Stainless Steel		Nickel 0.2 μm min
1	Copper Alloy		Contact area : Palladium-Nickel 0.75 μm min + Gold 0.05 μm min	6	Stainless Steel		Nickel 1 μm min
			Wiring area : Gold 0.03 μm min	5	PC		Clear, UL94V-0
			Under plating : Nickel 2 μm min	4	PA		Black, UL94V-0

UNITS	SCALE	COUNT	DESCRIPTION OF REVISIONS	DESIGNED	CHECKED	DATE
mm	2 : 1	6	DIS-E-00006876	MT. YASUDA	KI. KAGOTANI	20210922

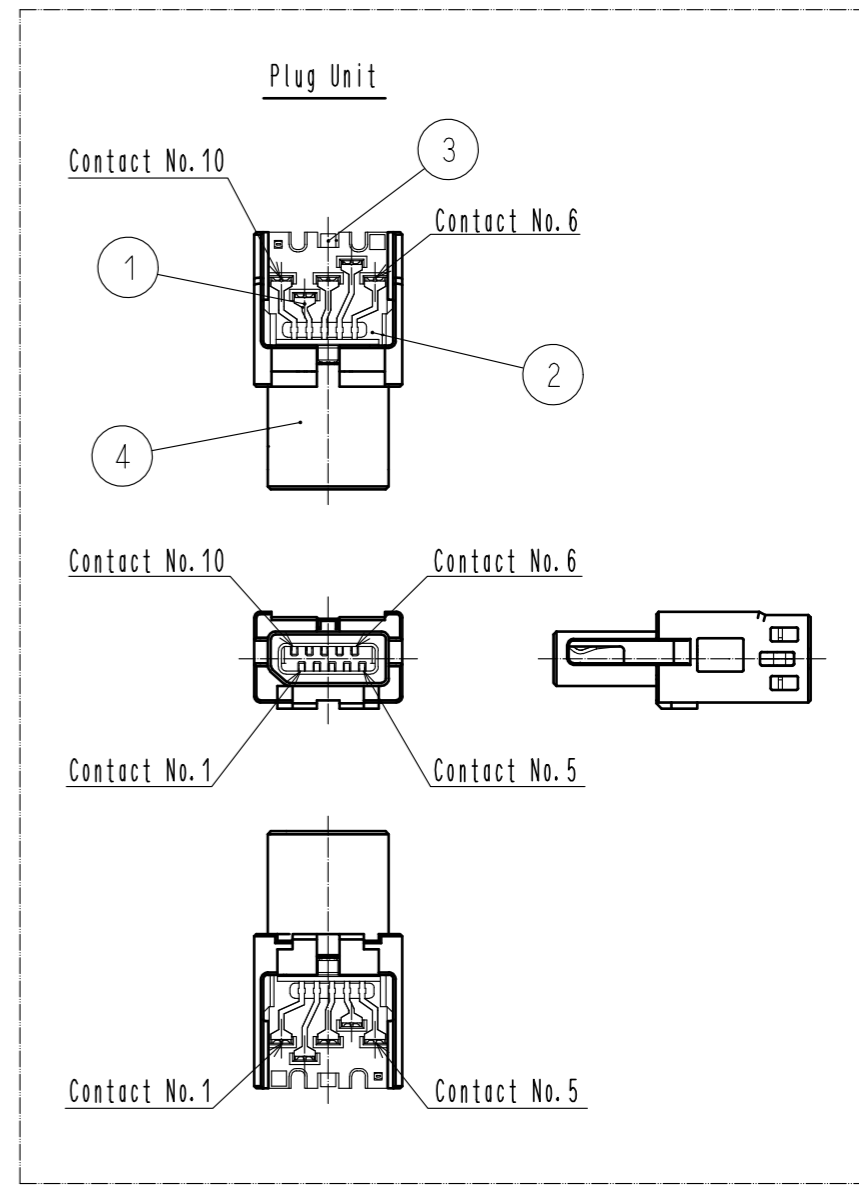
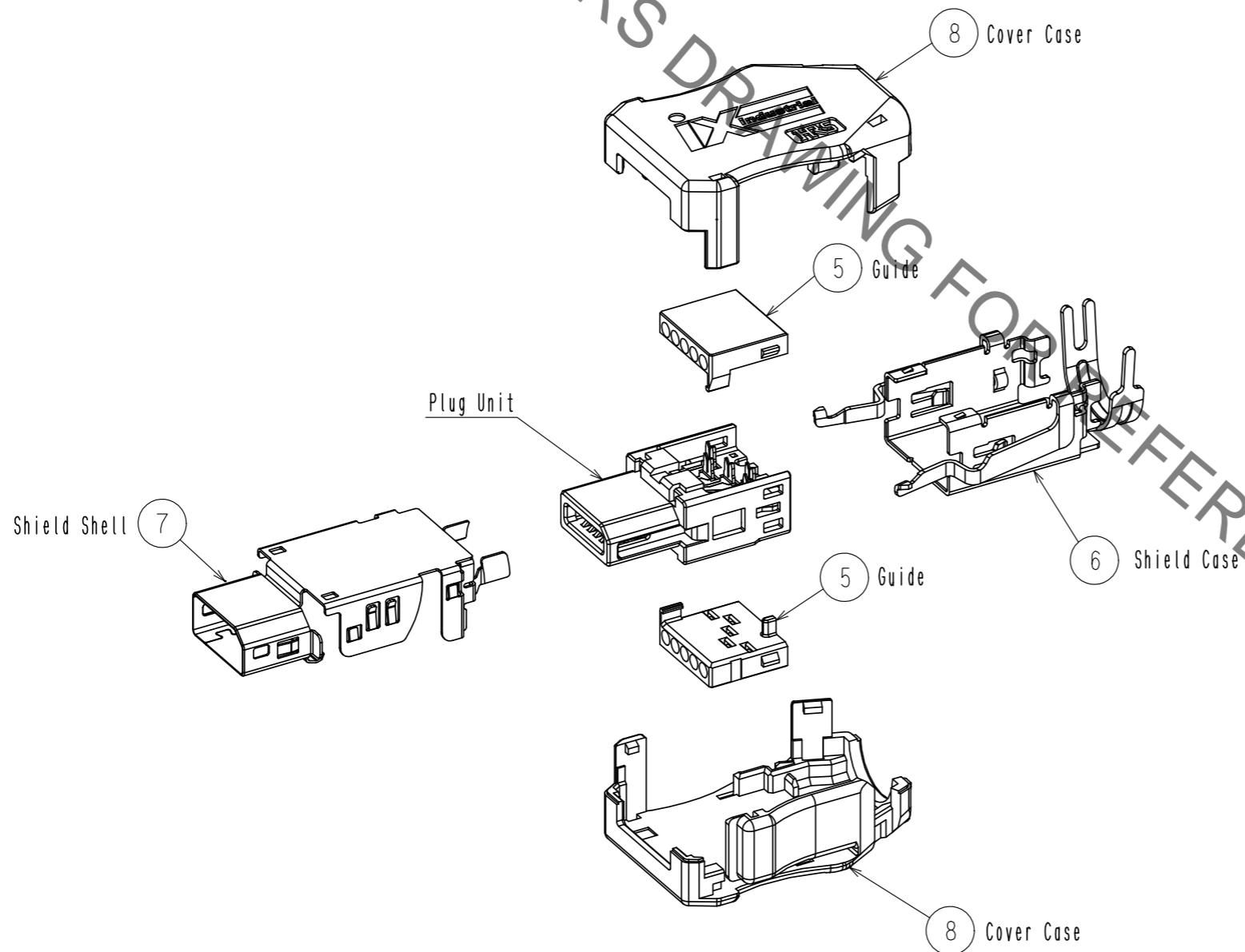
APPROVED	: RI. TAKAYASU	20170328	DRAWING NO.	EDC-129419-01-00	
CHECKED	: KI. NAGANUMA	20170328	PART NO.	IX30G-A-10S-CV(7.0)(01)	
DESIGNED	: HT. SATO	20170328	CODE NO.	CL0251-0020-0-01	
DRAWN	: HT. SATO	20170328			

Aug.1.2022 Copyright 2022 HIROSE ELECTRIC CO., LTD. All Rights Reserved.
 In case of consideration for using Automotive equipment / device which demand high reliability, kindly contact our sales window correspondents.

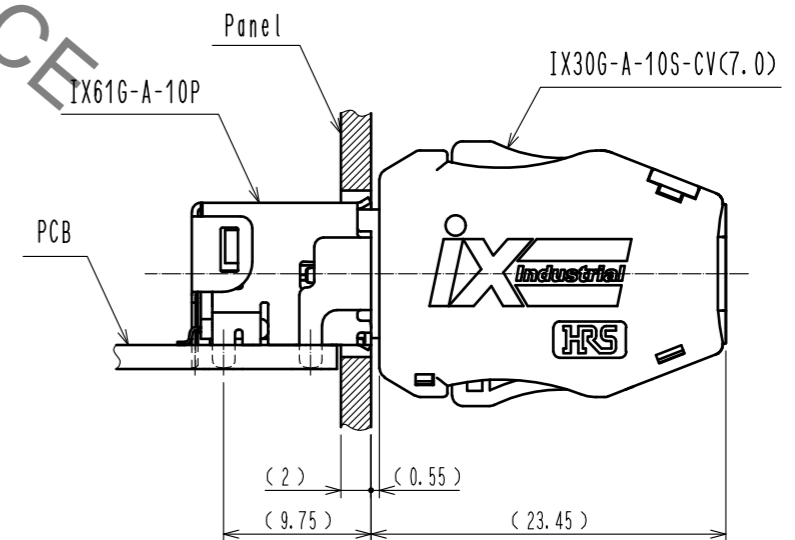


Shield Shell Delivery Form

Product Structure



Mated Condition



HRS	DRAWING NO.	EDC-129419-01-00
	PART NO.	IX30G-A-10S-CV(7.0)(01)
	CODE NO.	CL0251-0020-0-01
		2/2