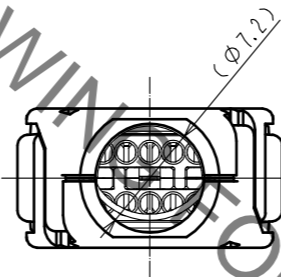
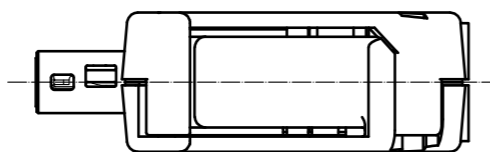
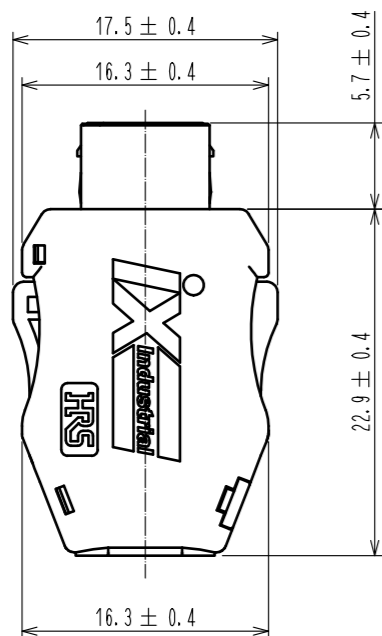
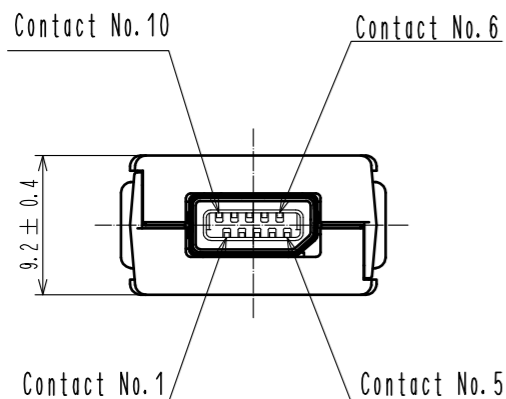
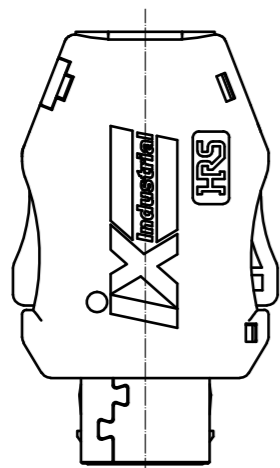


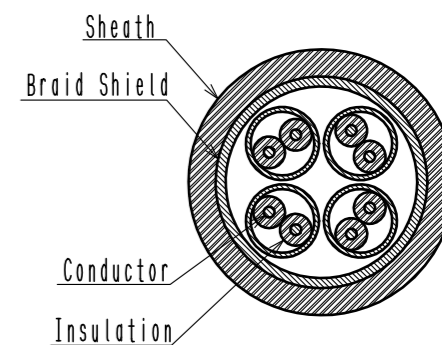
Jul.1.2022 Copyright 2022 HIROSE ELECTRIC CO., LTD. All Rights Reserved.  
 In case of consideration for using Automotive equipment / device which demand high reliability, kindly contact our sales window correspondents.



Notes. 1. Recommended cable condition is shown below.  
 ⚠ A list of compatible cables is available on the Hirose website.  
 When using a non-recommended cable, please contact a Hirose sales representative.  
 Refer to the technical specification (ETAD-E3162) for wiring and assembly procedures.

⚠ Recommended Cable

Items		Recommended Condition
Conductor	Size	AWG#24 to 25
	Composition	7 stranded
	Material	Annealed copper wire
Insulation O. D.		φ 1.1 to 1.25mm
Braid Shield		Tin plating
Sheath O. D.		φ 6.3 to 7.2mm

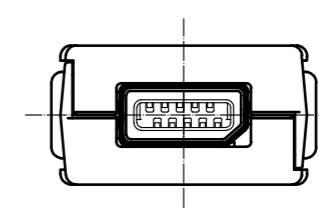
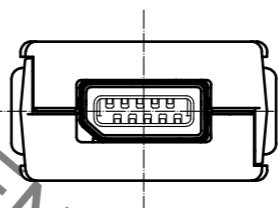


2. This product (Type B) is used for non Ethernet applications like signaling, serial or other industrial bus communication systems. Please use Type A for 10/100 Mbit/s and 1/10 Gbit/s Ethernet communication.

⚠ Mating Key

Type A

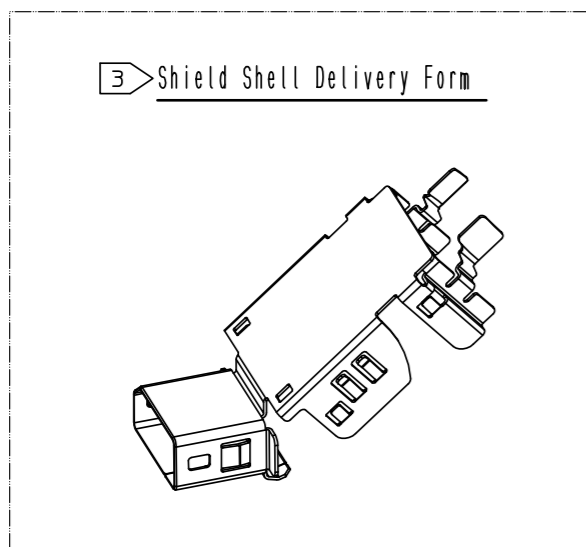
Type B



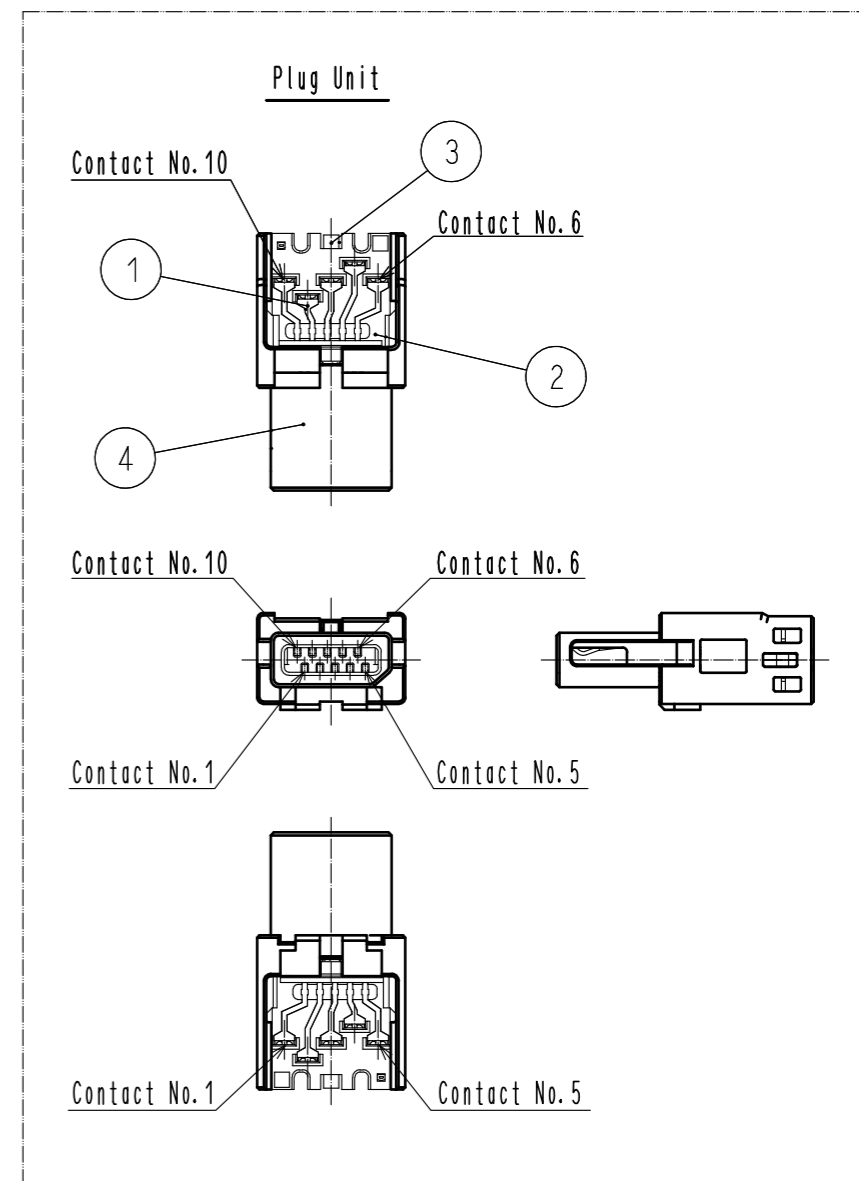
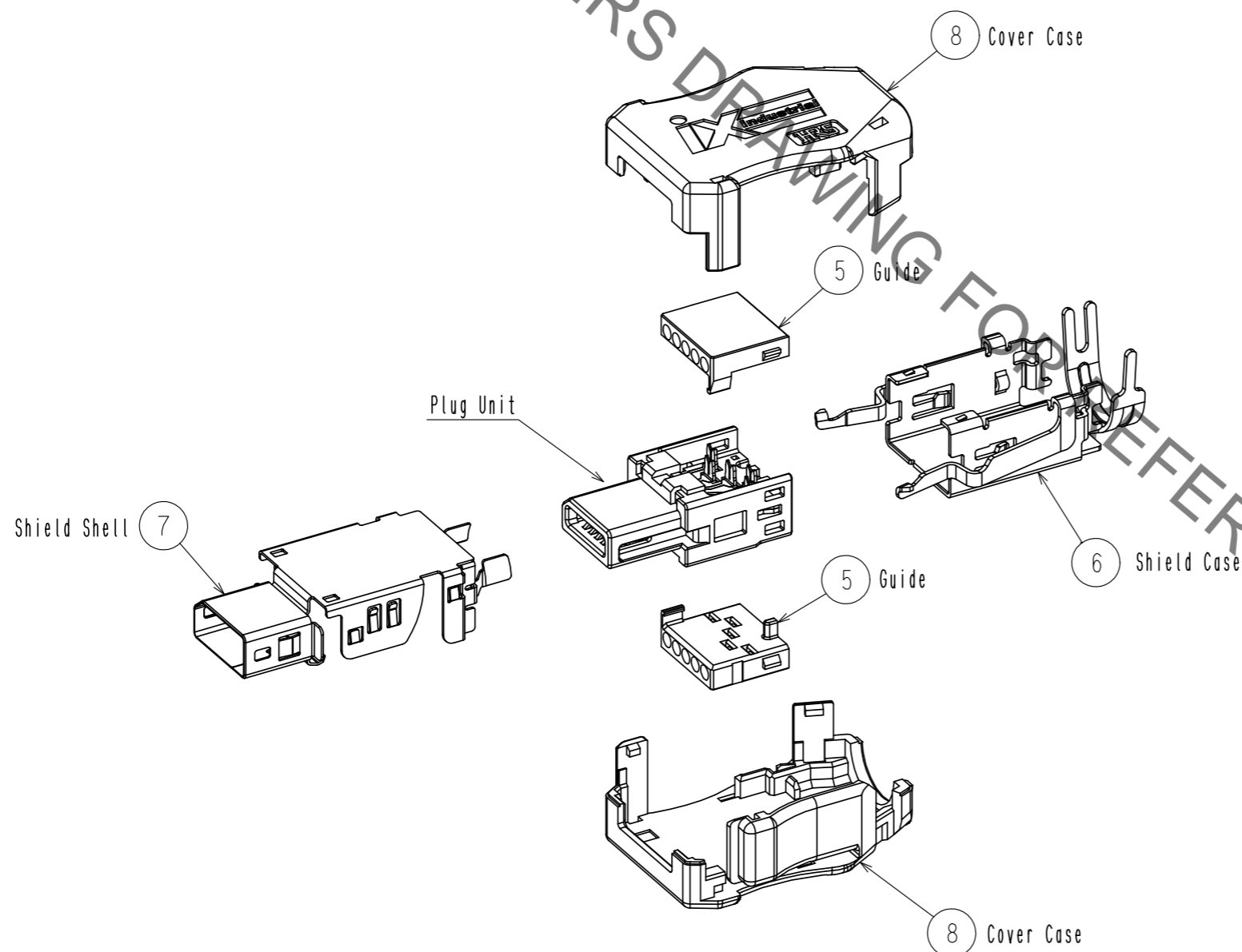
⚠ 3 Excluding the plug unit, this product is packaged separately by the type of parts. The shield shell is packaged prior to bending. (See next page.)

3	Stainless Steel		8	PC	Dark gray, UL94V-0		
2	PA	Dark gray, UL94V-0	7	Stainless Steel	Nickel 0.2 μm min		
1	Copper Alloy	Contact area : Palladium-Nickel 0.75 μm min + Gold 0.05 μm min	6	Stainless Steel	Nickel 1 μm min		
		Wiring area : Gold 0.03 μm min	5	PC	Clear yellow, UL94V-0		
		Under plating : Nickel 2 μm min	4	PA	Black, UL94V-0		
NO.	MATERIAL	FINISH . REMARKS	NO.	MATERIAL	FINISH . REMARKS		
UNITS mm		SCALE 2 : 1	COUNT 6	DESCRIPTION OF REVISIONS DIS-E-00006881	DESIGNED MT. YASUDA	CHECKED KI. KAGOTANI	DATE 20211025
<b>HRS</b> HIROSE ELECTRIC CO., LTD.		APPROVED : RI. TAKAYASU	20170328	DRAWING NO. EDC-129486-01-00			
		CHECKED : KI. NAGANUMA	20170328	PART NO. IX31G-B-10S-CV(7.0)(01)			
		DESIGNED : HT. SATO	20170328	CODE NO. CL0251-0024-0-01			
		DRAWN : HT. SATO	20170328	⚠ 1/2			

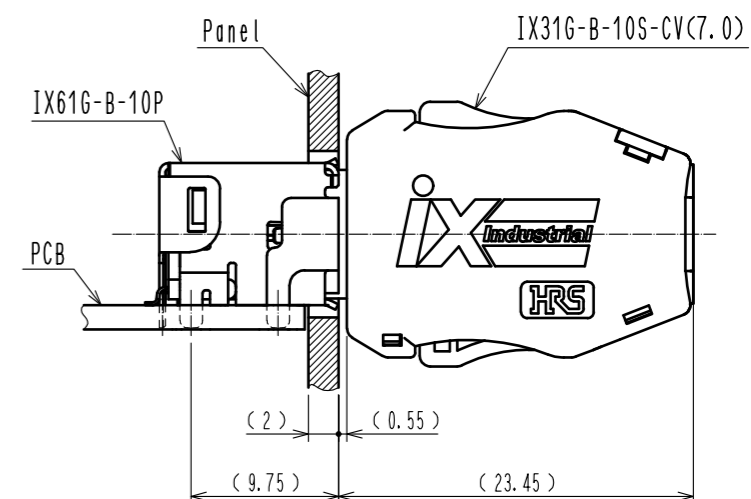
Jul.1.2022 Copyright 2022 HIROSE ELECTRIC CO., LTD. All Rights Reserved.  
 In case of consideration for using Automotive equipment / device which demand high reliability, kindly contact our sales window correspondents.



3 Product Structure



6 Mated Condition



<b>HRS</b>	DRAWING NO.	EDC-129486-01-00
	PART NO.	IX31G-B-10S-CV(7.0)(01)
	CODE NO.	CL0251-0024-0-01
		△ 2/2