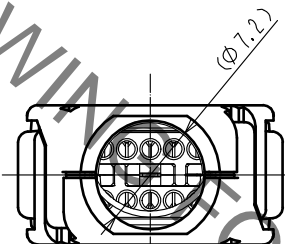
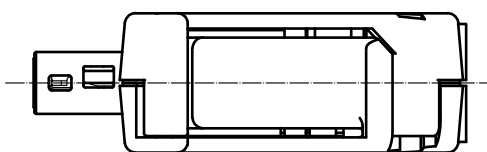
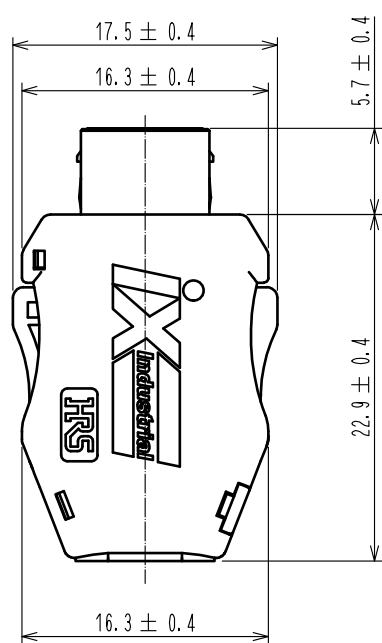
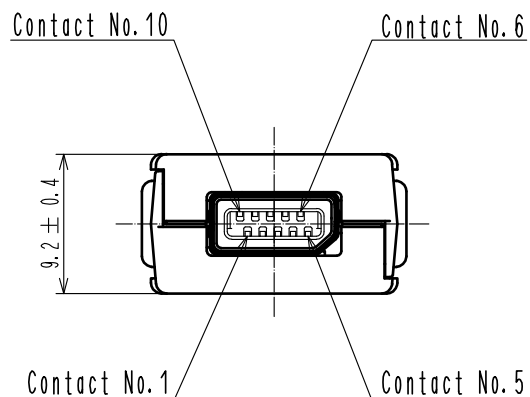
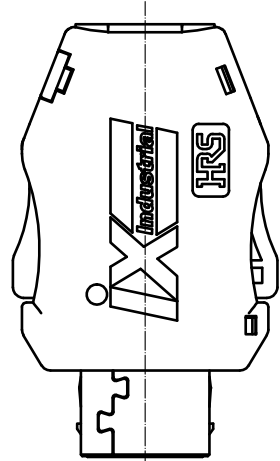


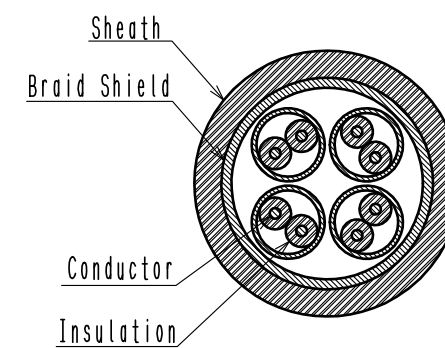
Aug.1.2022 Copyright 2022 HIROSE ELECTRIC CO., LTD. All Rights Reserved.  
 In case of consideration for using Automotive equipment / device which demand high reliability, kindly contact our sales window correspondents.



Notes. 1. Recommended cable condition is shown below.  
 ⚠ A list of compatible cables is available on the Hirose website.  
 When using a non-recommended cable, please contact a Hirose sales representative.  
 Refer to the technical specification (ETAD-E3162) for wiring and assembly procedures.

⚠ Recommended Cable

Items		Recommended Condition
Conductor	Size	AWG#28 to 26
	Composition	7 stranded
	Material	Annealed copper wire
Insulation O. D.		φ 0.95 to 1.05mm
Braid Shield		Tin plating
Sheath O. D.		φ 6.3 to 7.2mm

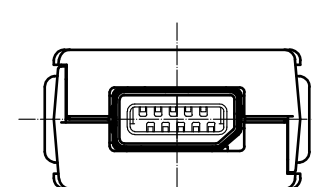
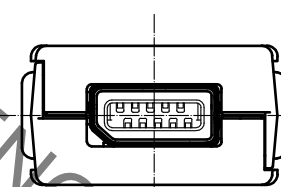


2. This product (Type B) is used for non Ethernet applications like signaling, serial or other industrial bus communication systems.  
 Please use Type A for 10/100 Mbit/s and 1/10 Gbit/s Ethernet communication.

⚠ Mating Key

Type A

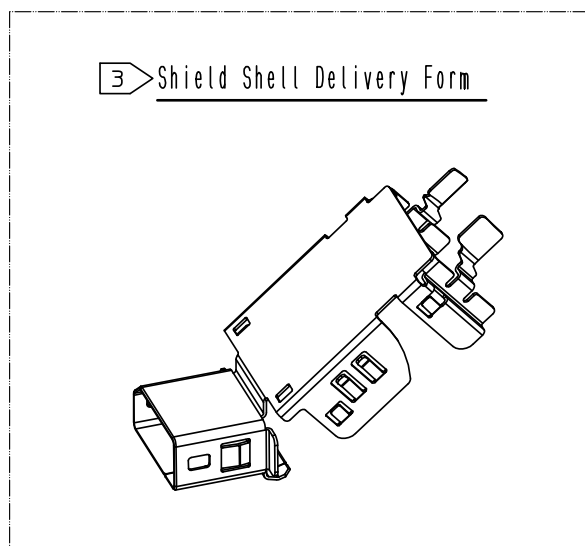
Type B



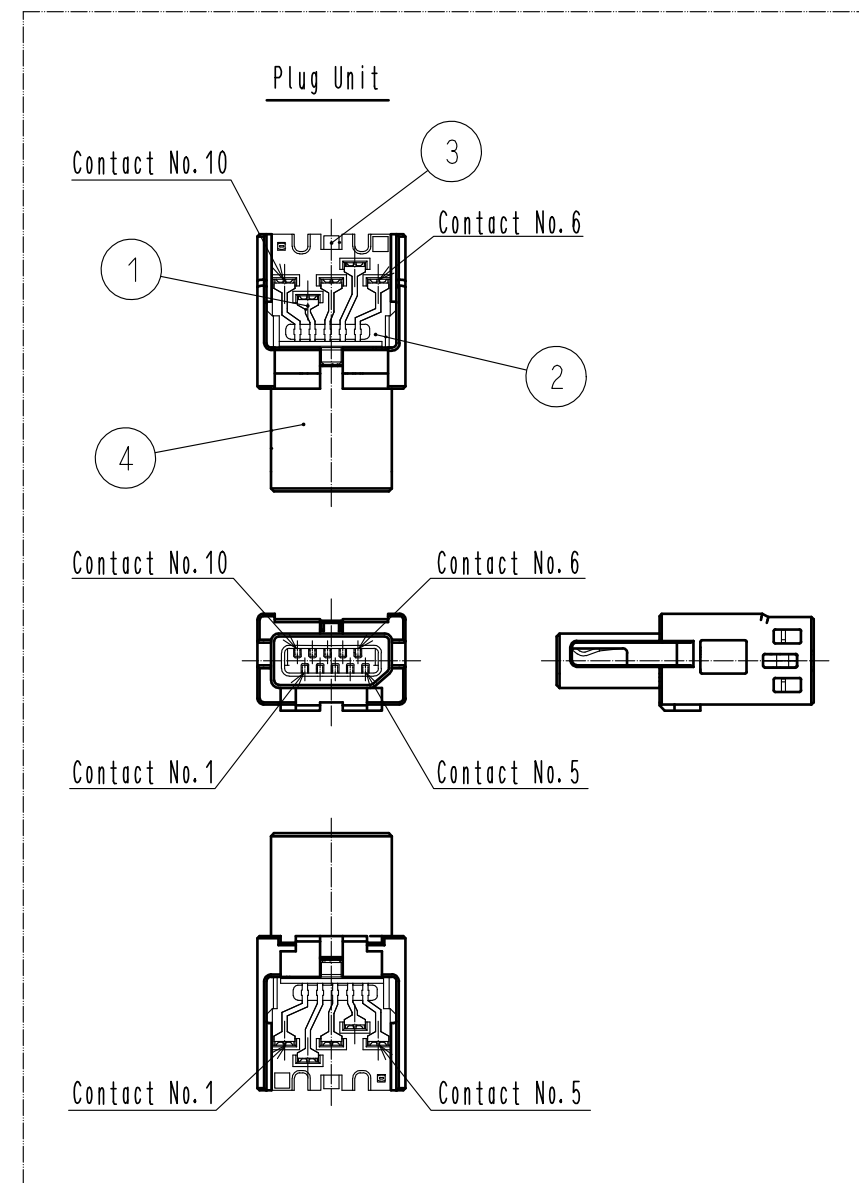
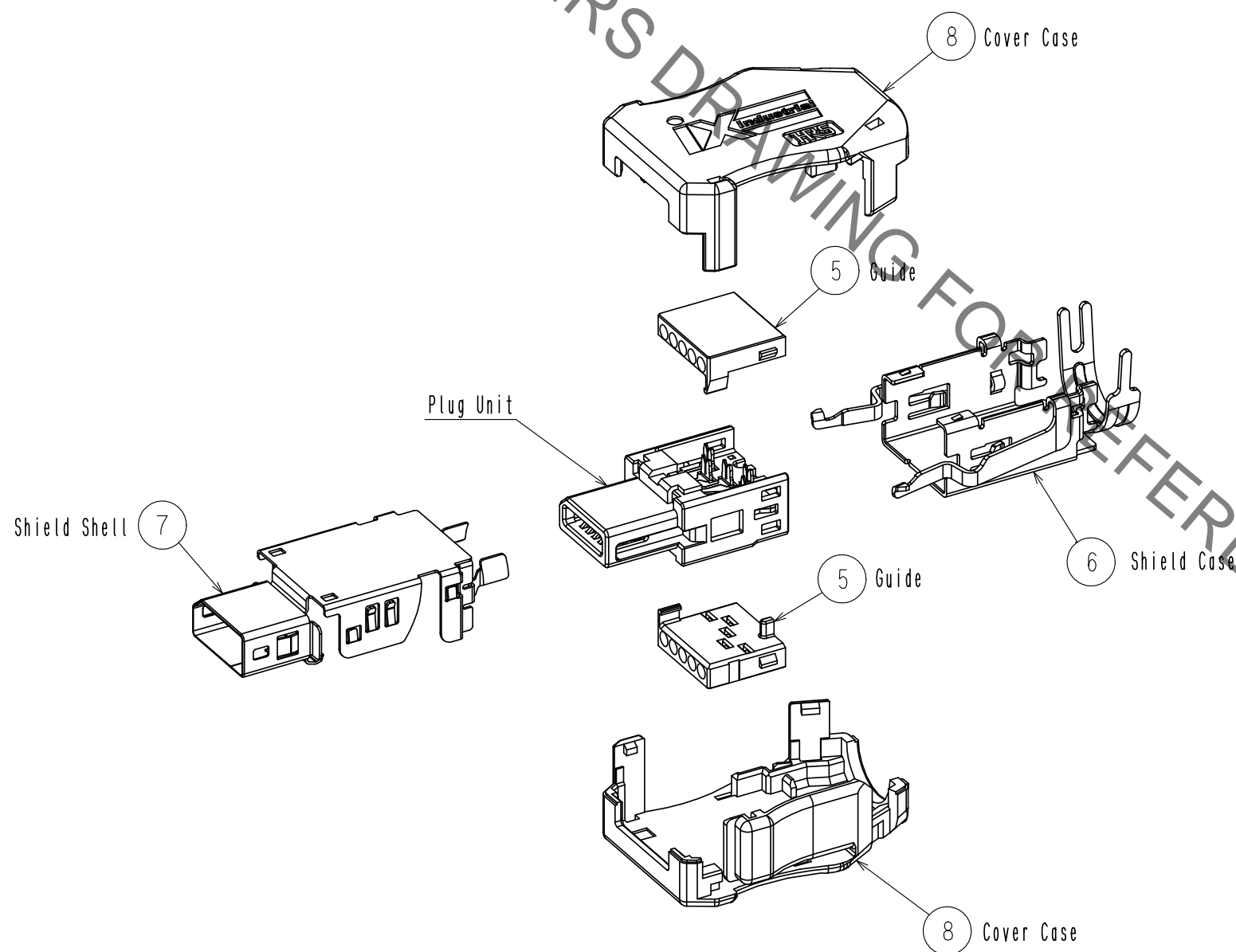
⚠ ③ Excluding the plug unit, this product is packaged separately by the type of parts.  
 The shield shell is packaged prior to bending. (See next page.)

4	PA	Black, UL94V-0	8	PC	Dark gray, UL94V-0
3	Stainless Steel		7	Stainless Steel	Nickel 0.2 μm min
2	PA	Black, UL94V-0	6	Stainless Steel	Nickel 1 μm min
1	Copper Alloy	Contact area : Gold 0.2 μm min Wiring area : Gold 0.03 μm min Under plating : Nickel 2 μm min	5	PC	Clear, UL94V-0
NO.	MATERIAL	FINISH . REMARKS	NO.	MATERIAL	FINISH . REMARKS
UNITS mm		SCALE 2 : 1	COUNT 6	DESCRIPTION OF REVISIONS DIS-E-00006876	
DESIGNED MT. YASUDA		CHECKED KI. KAGOTANI		DATE 20210922	
APPROVED : RI. TAKAYASU 20170324		DRAWING NO. EDC-129487-00-00			
CHECKED : KI. NAGANUMA 20170324		PART NO. IX30G-B-10S-CV(7.0)			
DESIGNED : HT. SATO 20170324		CODE NO. CL0251-0025-0-00			
DRAWN : HT. SATO 20170324					

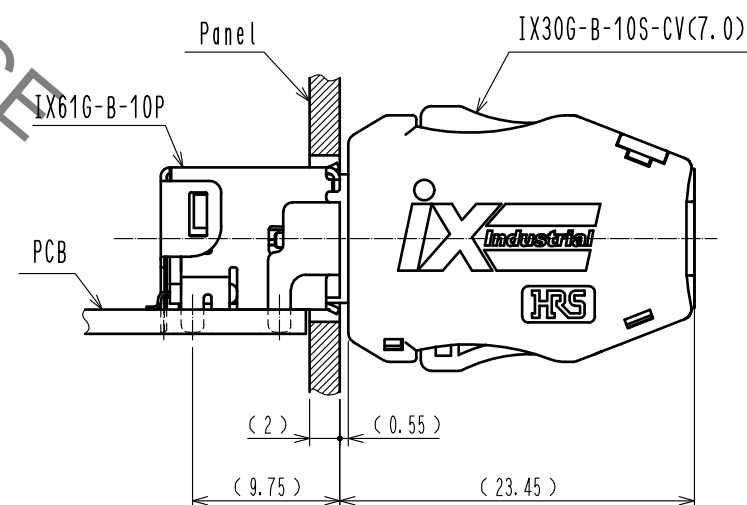
Aug.1.2022 Copyright 2022 HIROSE ELECTRIC CO., LTD. All Rights Reserved.  
 In case of consideration for using Automotive equipment / device which demand high reliability, kindly contact our sales window correspondents.



Product Structure



Mated Condition



<b>HRS</b>	DRAWING NO.	EDC-129487-00-00
	PART NO.	IX30G-B-10S-CV(7.0)
	CODE NO.	CL0251-0025-0-00
		⑤/2