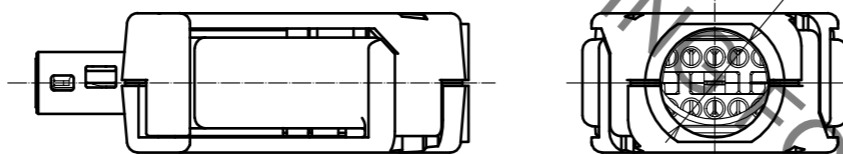
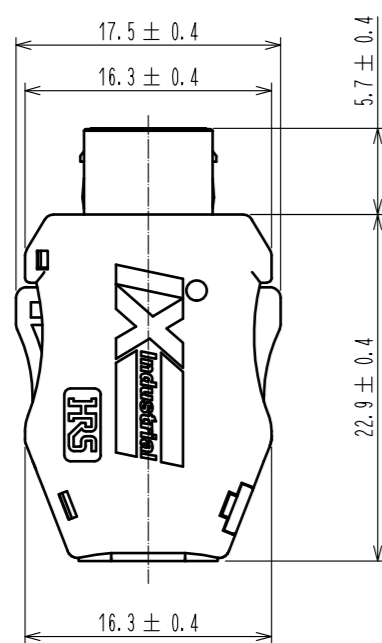
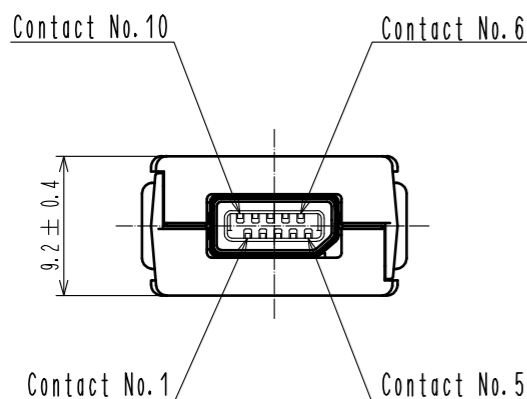
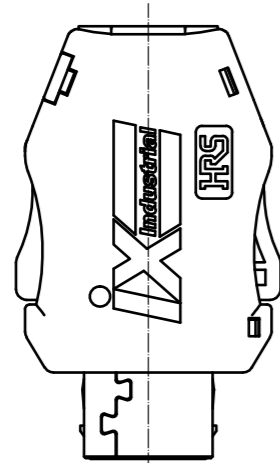


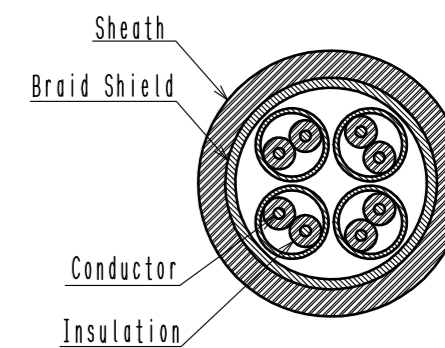
Aug.1.2022 Copyright 2022 HIROSE ELECTRIC CO., LTD. All Rights Reserved.
In case of consideration for using Automotive equipment / device which demand high reliability, kindly contact our sales window correspondents.



Notes. 1. Recommended cable condition is shown below.
 ⚠ A list of compatible cables is available on the Hirose website.
 When using a non-recommended cable, please contact a Hirose sales representative.
 Refer to the technical specification (ETAD-E3162) for wiring and assembly procedures.

⚠ Recommended Cable

Items		Recommended Condition
Conductor	Size	AWG#28 to 26
	Composition	7 stranded
	Material	Annealed copper wire
Insulation O. D.		$\phi 0.95$ to 1.05 mm
Braid Shield		Tin plating
Sheath O. D.		$\phi 6.3$ to 7.2 mm

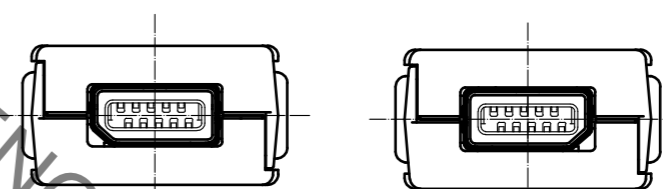


2. This product (Type B) is used for non Ethernet applications like signaling, serial or other industrial bus communication systems.
 Please use Type A for 10/100 Mbit/s and 1/10 Gbit/s Ethernet communication.

⚠ Mating Key

Type A

Type B

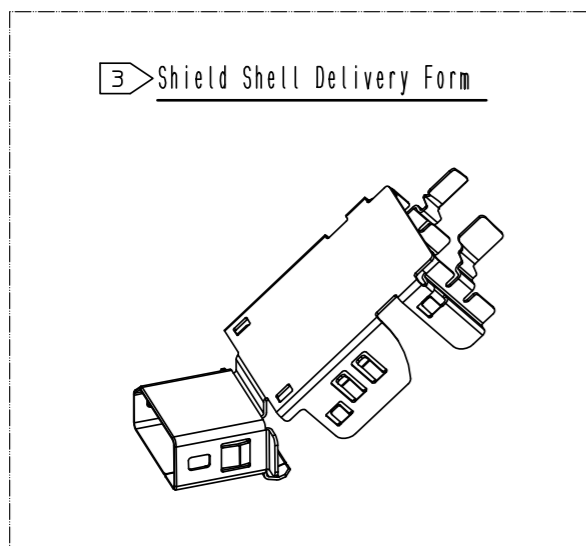


⚠ ③ Excluding the plug unit, this product is packaged separately by the type of parts.
 The shield shell is packaged prior to bending. (See next page.)

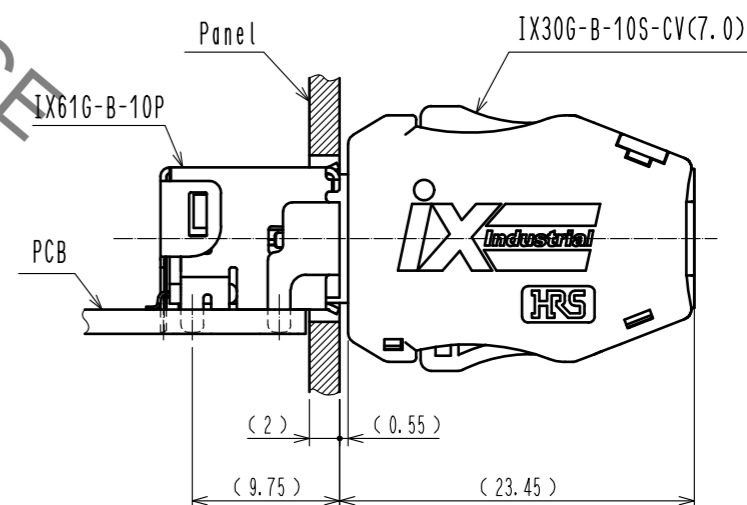
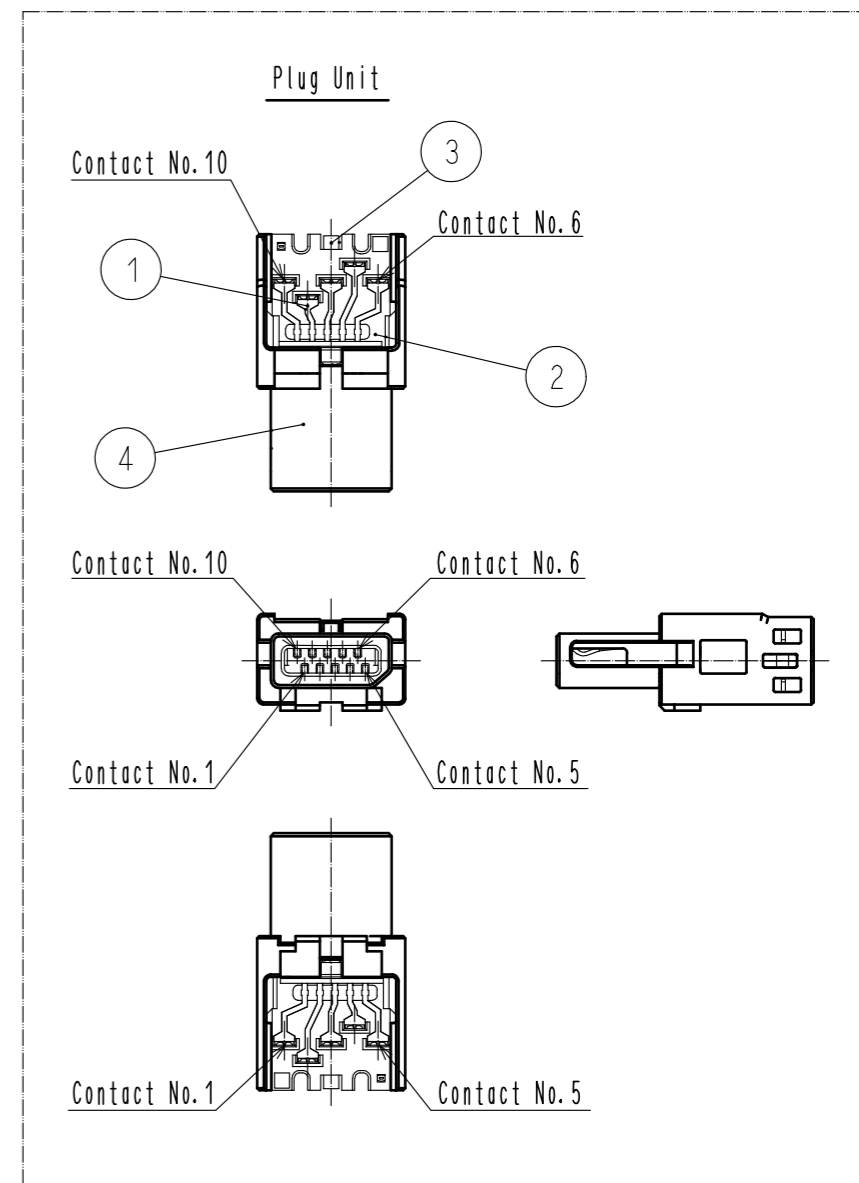
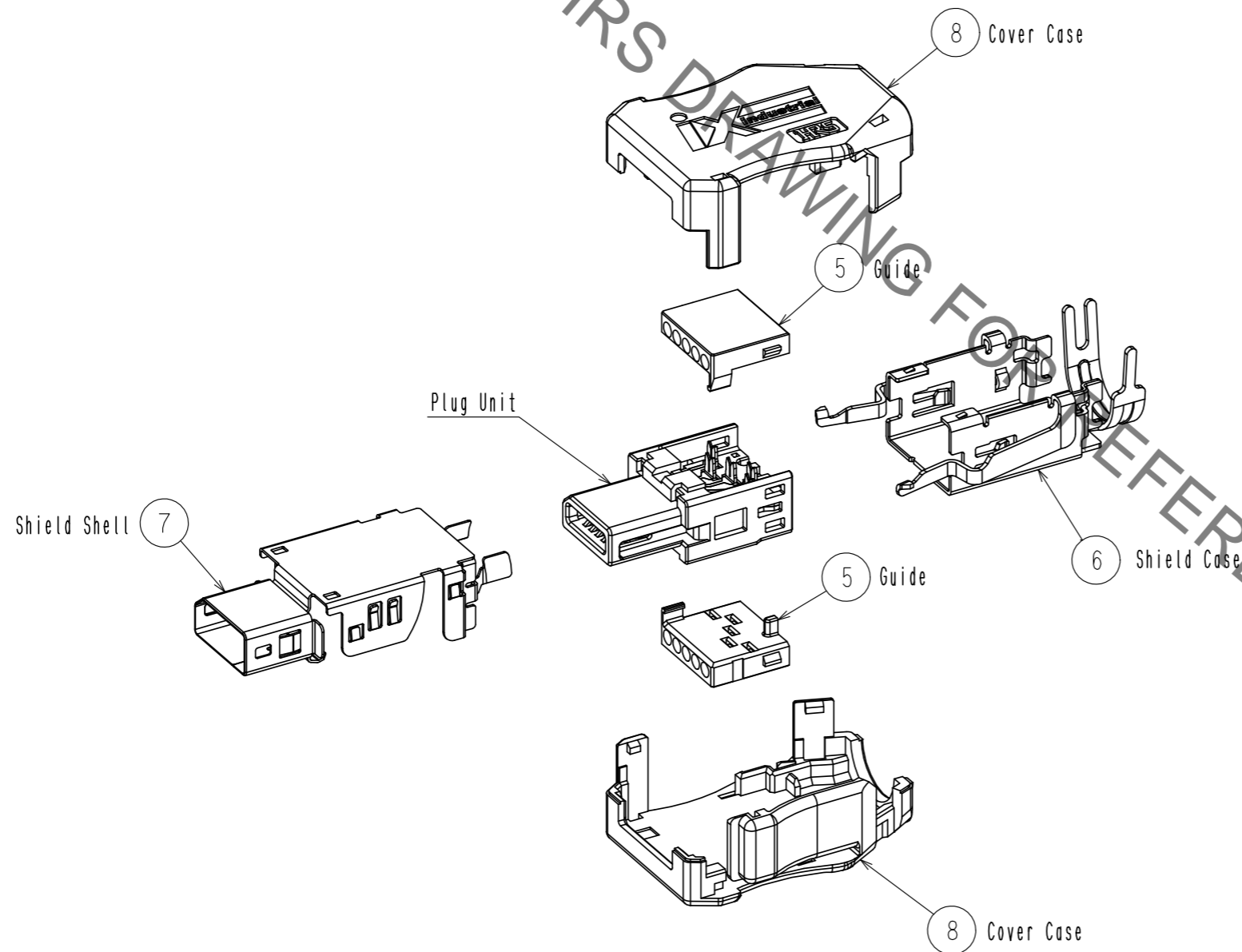
3	Stainless Steel		8	PC	Dark gray, UL94V-0
2	PA	Black, UL94V-0	7	Stainless Steel	Nickel 0.2 μ m min
1	Copper Alloy	Contact area : Palladium-Nickel 0.75 μ m min + Gold 0.05 μ m min	6	Stainless Steel	Nickel 1 μ m min
		Wiring area : Gold 0.03 μ m min	5	PC	Clear, UL94V-0
		Under plating : Nickel 2 μ m min	4	PA	Black, UL94V-0
NO.	MATERIAL	FINISH . REMARKS	NO.	MATERIAL	FINISH . REMARKS

UNITS mm		SCALE 2 : 1	COUNT 6	DESCRIPTION OF REVISIONS DIS-E-00006876	DESIGNED MT. YASUDA	CHECKED KI. KAGOTANI	DATE 20210922
HRS HIROSE ELECTRIC CO., LTD.		APPROVED : RI. TAKAYASU	20170328	DRAWING NO. EDC-129487-01-00		PART NO. IX30G-B-10S-CV<7.0><01>	
		CHECKED : KI. NAGANUMA	20170328	CODE NO. CL0251-0025-0-01		⑤ 1/2	
		DESIGNED : HT. SATO	20170328				
		DRAWN : HT. SATO	20170328				

Aug.1.2022 Copyright 2022 HIROSE ELECTRIC CO., LTD. All Rights Reserved.
 In case of consideration for using Automotive equipment / device which demand high reliability, kindly contact our sales window correspondents.



Product Structure



HRS	DRAWING NO.	EDC-129487-01-00
	PART NO.	IX30G-B-10S-CV(7.0)(01)
	CODE NO.	CL0251-0025-0-01
		\triangle 2/2