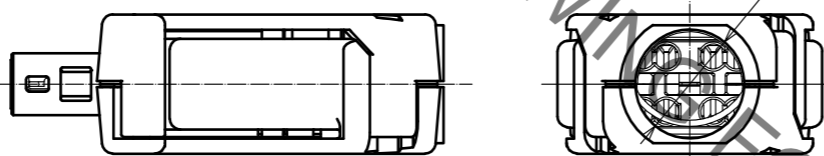
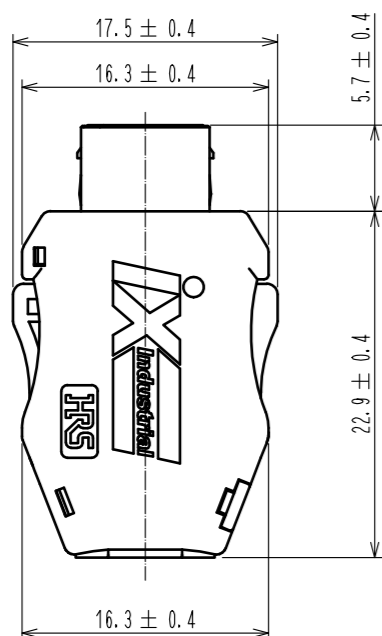
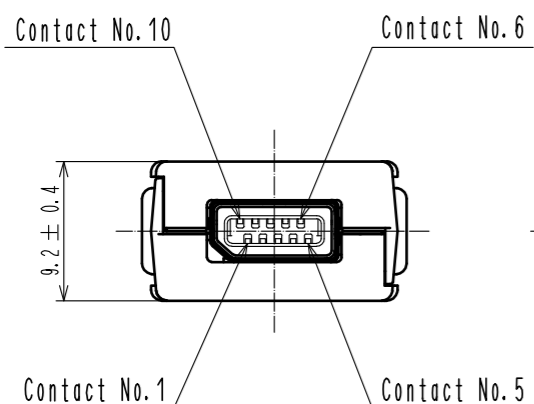
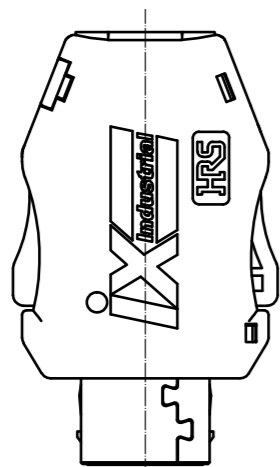


Aug.1.2022 Copyright 2022 HIROSE ELECTRIC CO., LTD. All Rights Reserved.  
In case of consideration for using Automotive equipment / device which demand high reliability, kindly contact our sales window correspondents.



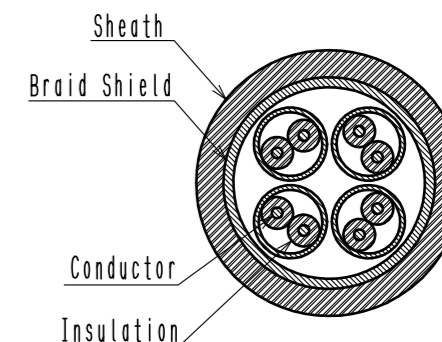
Pin Assignment For 10/100 Mbit/s And 1/10 Gbit/s Ethernet

Contact No.	Signal	
	10/100 Mbit/s	1/10 Gbit/s
1	TX+	BI_DA+
2	TX-	BI_DA-
3	N.C	N.C
4	N.C	BI_DC+
5	N.C	BI_DC-
6	RX+	BI_DB+
7	RX-	BI_DB-
8	N.C	N.C
9	N.C	BI_DD+
10	N.C	BI_DD-

- Notes.
- Recommended cable condition is shown below.  
 ⚠ A list of compatible cables is available on the Hirose website.  
 When using a non-recommended cable, please contact a Hirose sales representative.  
 Refer to the technical specification (ETAD-E3162) for wiring and assembly procedures.  
 Tool HT803/IXG-8/10S-63-72 is used for cable assembly of IX32G.

⚠ Recommended Cable

Items		Recommended Condition
Conductor	Size	AWG#22
	Composition	7 stranded
	Material	Annealed copper wire
Insulation O.D.		φ1.4 to 1.6mm
Braid Shield		Tin plating
Sheath O.D.		φ6.3 to 7.2mm

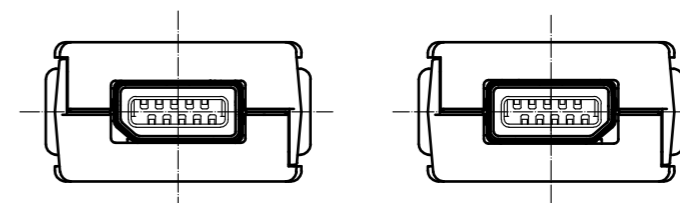


- This product (Type A) is defined for 10/100 Mbit/s and 1/10 Gbit/s Ethernet communication. Please use Type B for all other non Ethernet applications like signaling, serial or other industrial bus communication systems.

⚠ Mating Key

Type A

Type B



- ⚠ Excluding the plug unit, this product is packaged separately by the type of parts. The shield sheet is packaged prior to bending. (See next page.)

- Cable assembly is possible up to 8pos. Contact No. 3 and 8 do not have a hole to pass the cable through the IDC guide.

NO.	MATERIAL	FINISH	REMARKS	NO.	MATERIAL	FINISH	REMARKS
4	PA		Black, UL94V-0	8	PC		Dark gray, UL94V-0
3	Stainless Steel			7	Stainless Steel		Nickel 0.2 μm min
2	PA		Dark gray, UL94V-0	6	Stainless Steel		Nickel 1 μm min
1	Copper Alloy		Contact area : Gold 0.2 μm min Wiring area : Gold 0.03 μm min Under plating : Nickel 2 μm min	5	PC		Clear blue, UL94V-0

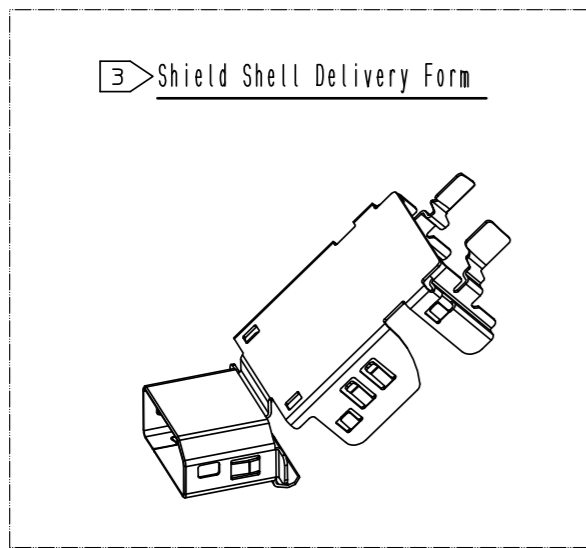
  

UNITS	SCALE	COUNT	DESCRIPTION OF REVISIONS	DESIGNED	CHECKED	DATE
mm	2 : 1	6	DIS-E-00006883	MT. YASUDA	KI. KAGOTANI	20211025

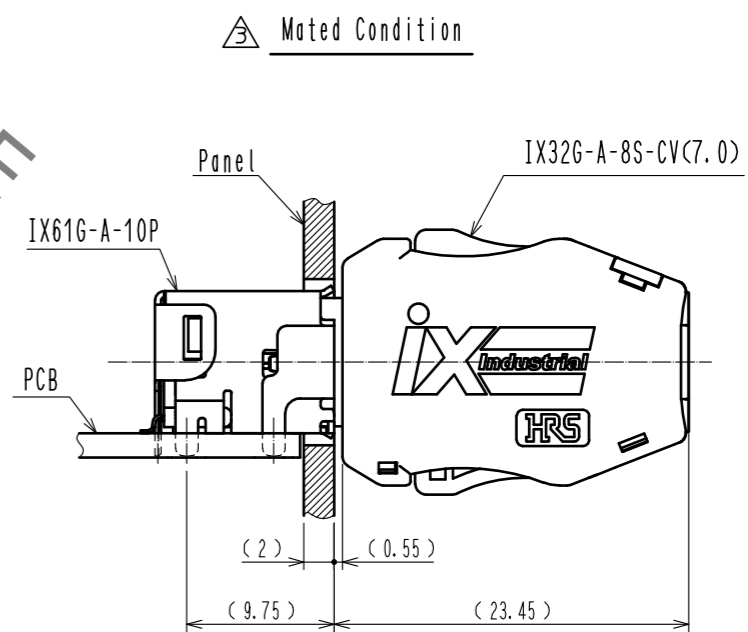
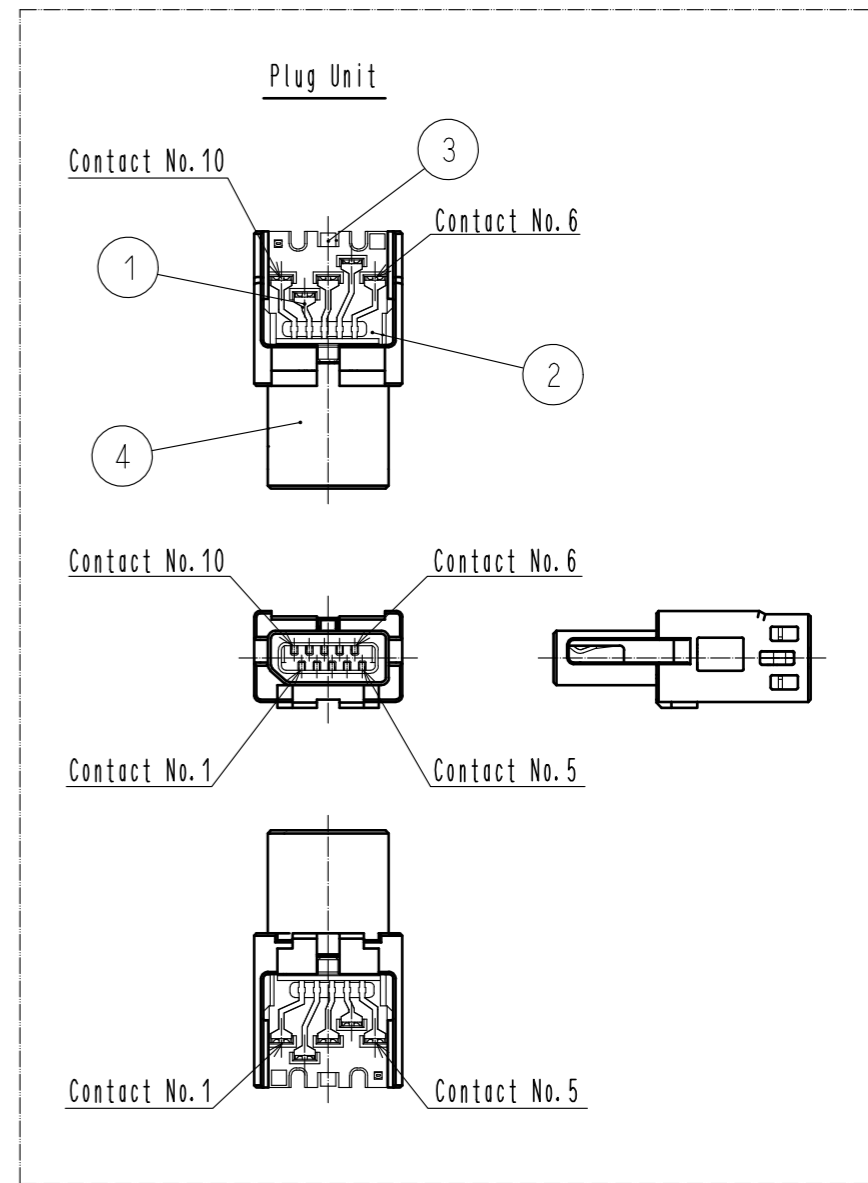
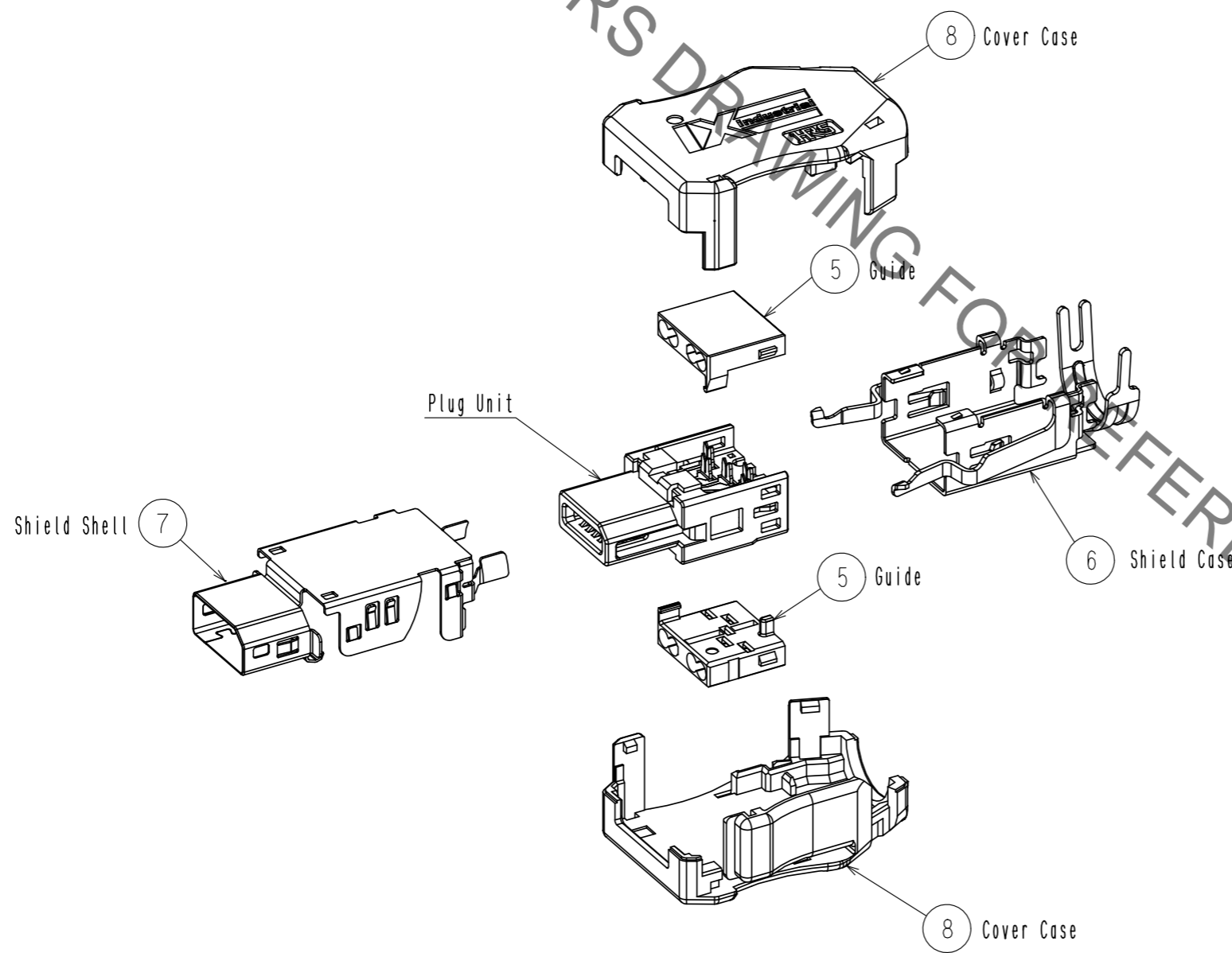
APPROVED	CHECKED	DESIGNED	DRAWN	DRAWING NO.	PART NO.	CODE NO.
RI. TAKAYASU	KI. NAGANUMA	JY. IGA	JY. IGA	20180730	20180727	20180727
				EDC-129795-00-00		
				IX32G-A-8S-CV(7.0)		
				CL0251-0042-0-00		

Aug.1.2022 Copyright 2022 HIROSE ELECTRIC CO., LTD. All Rights Reserved.  
 In case of consideration for using Automotive equipment / device which demand high reliability, kindly contact our sales window correspondents.



HRS DRAWING FOR REFERENCE

Product Structure



<b>HRS</b>	DRAWING NO.	EDC-129795-00-00	3/2
	PART NO.	IX32G-A-8S-CV(7.0)	
	CODE NO.	CL0251-0042-0-00	