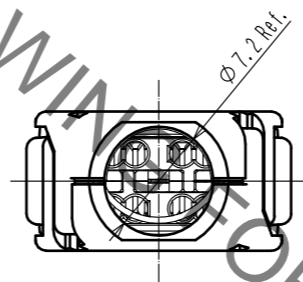
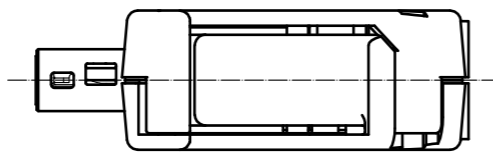
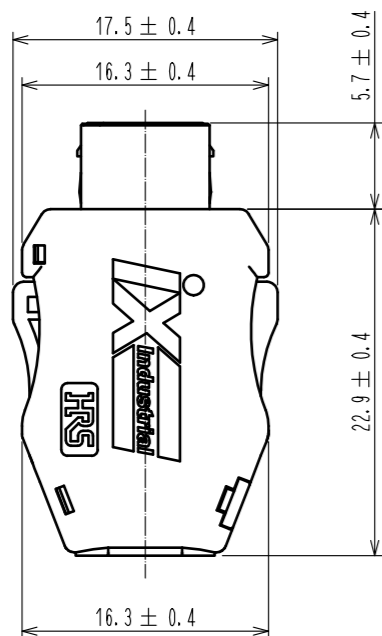
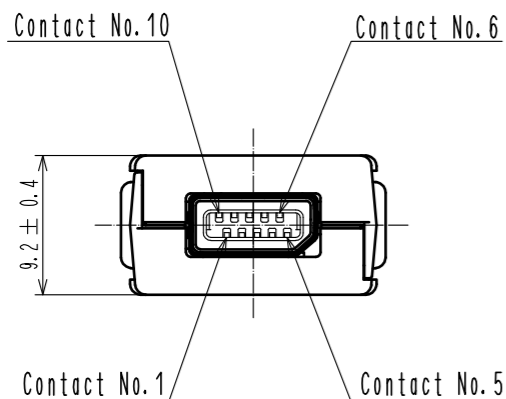
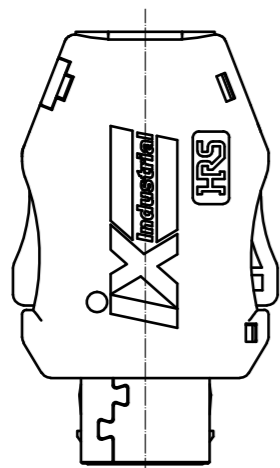


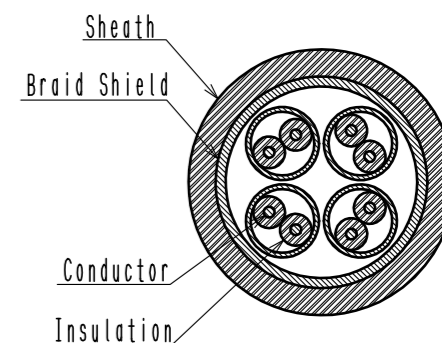
Aug.1.2022 Copyright 2022 HIROSE ELECTRIC CO., LTD. All Rights Reserved.
In case of consideration for using Automotive equipment / device which demand high reliability, kindly contact our sales window correspondents.



- Notes.
- Recommended cable condition is shown below.
 - A list of compatible cables is available on the Hirose website. When using a non-recommended cable, please contact a Hirose sales representative. Refer to the technical specification (ETAD-E3162) for wiring and assembly procedures. Tool HT803/IXG-8/10S-63-72 is used for cable assembly of IX32G.

Recommended Cable

Items		Recommended Condition
Conductor	Size	AWG22
	Composition	7 stranded
	Material	Annealed copper wire
Insulation O. D.		φ 1.4 to 1.6mm
Braid Shield		Tin plating
Sheath O. D.		φ 6.3 to 7.2mm

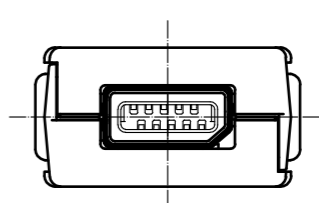
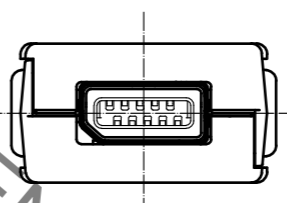


- This product (Type B) is used for non Ethernet applications like signaling, serial or other industrial bus communication systems. Please use Type A for 10/100 Mbit/s and 1/10 Gbit/s Ethernet communication.

Mating Key

Type A

Type B



- Excluding the plug unit, this product is packaged separately by the type of parts. The shield shell is packaged prior to bending. (See next page.)

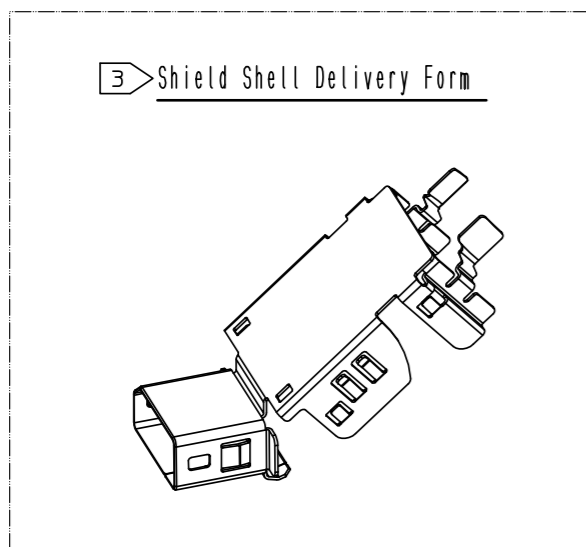
- Cable assembly is possible up to 8pos. Contact No. 3 and 8 do not have a hole to pass the cable through the IDC guide.

NO.	MATERIAL	FINISH	REMARKS	NO.	MATERIAL	FINISH	REMARKS
3	Stainless Steel			8	PC		Dark gray, UL94V-0
2	PA		Dark gray, UL94V-0	7	Stainless Steel		Nickel 0.2 μm min
1	Copper Alloy		Contact area : Palladium-Nickel 0.75 μm min + Gold 0.05 μm min	6	Stainless Steel		Nickel 1 μm min
			Wiring area : Gold 0.03 μm min	5	PC		Clear blue, UL94V-0
			Under plating : Nickel 2 μm min	4	PA		Black, UL94V-0

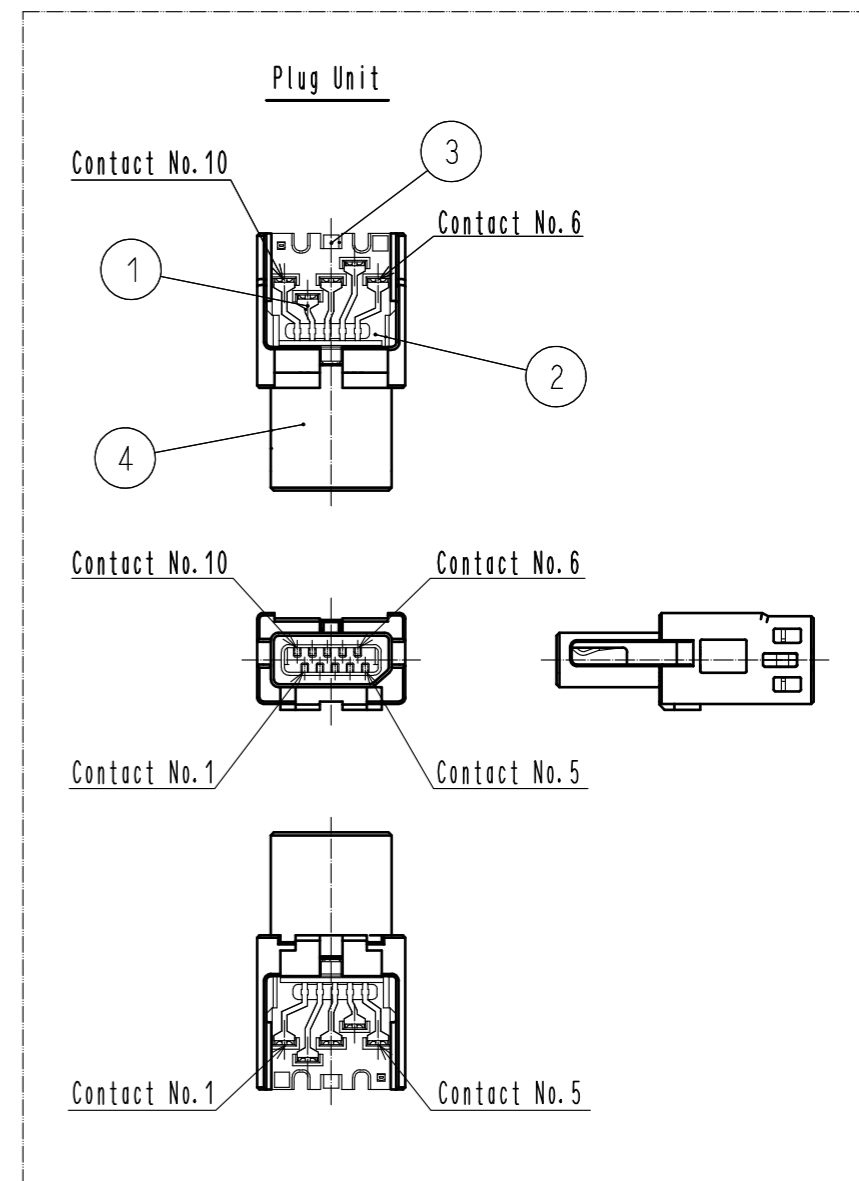
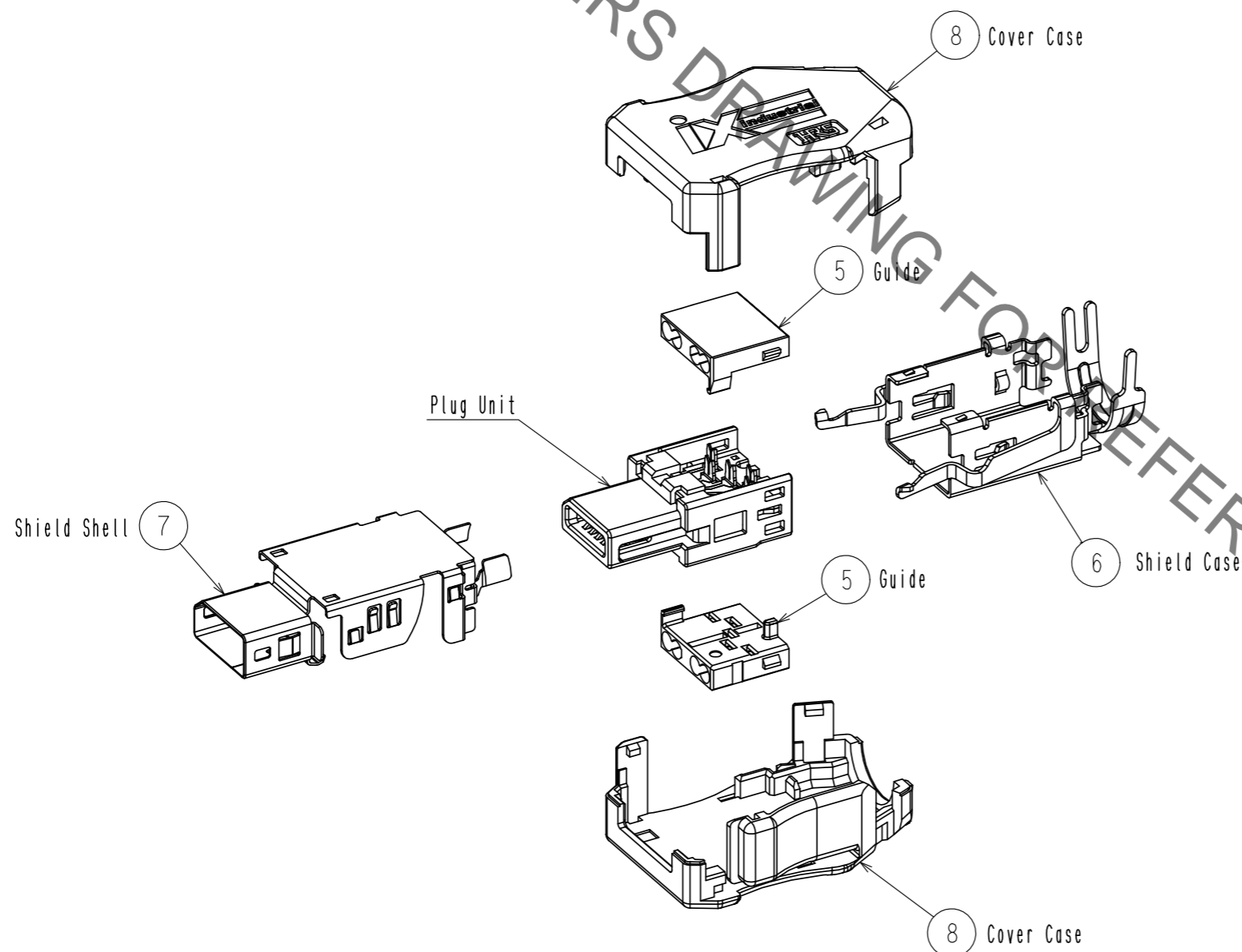
UNITS	SCALE	COUNT	DESCRIPTION OF REVISIONS	DESIGNED	CHECKED	DATE
mm	2 : 1	6	DIS-E-00006883	MT. YASUDA	KI. KAGOTANI	20211025

APPROVED	CHECKED	DESIGNED	DRAWN	DRAWING NO.	PART NO.	CODE NO.
RI. TAKAYASU	KI. NAGANUMA	JY. IGA	JY. IGA	EDC-129830-01-00	IX32G-B-8S-CV(7.0)C(1)	CL0251-0043-0-01
20180730	20180727	20180727	20180727			

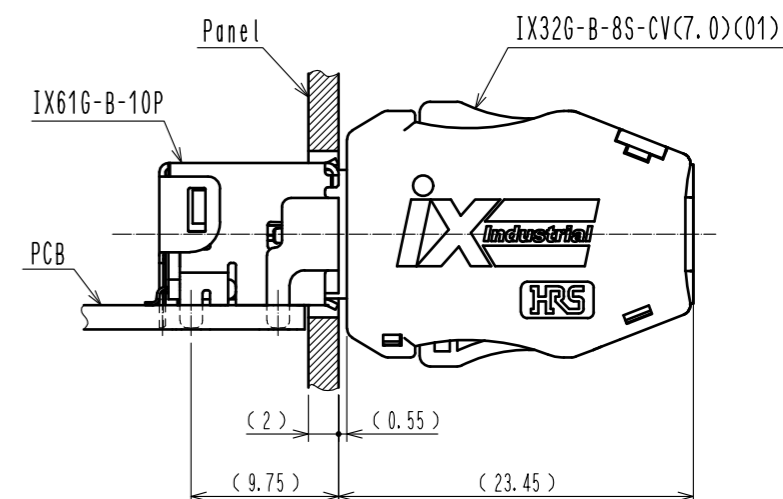
Aug.1.2022 Copyright 2022 HIROSE ELECTRIC CO., LTD. All Rights Reserved.
 In case of consideration for using Automotive equipment / device which demand high reliability, kindly contact our sales window correspondents.



Product Structure



Mated Condition



HRS	DRAWING NO.	EDC-129830-01-00
	PART NO.	IX32G-B-8S-CV(7.0)(01)
	CODE NO.	CL0251-0043-0-01
		$\frac{3}{2}$