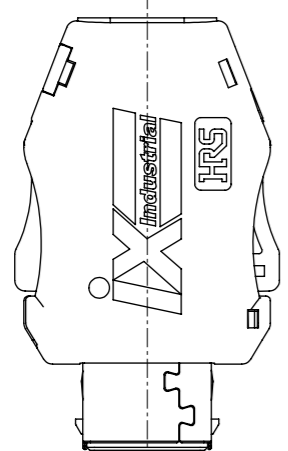
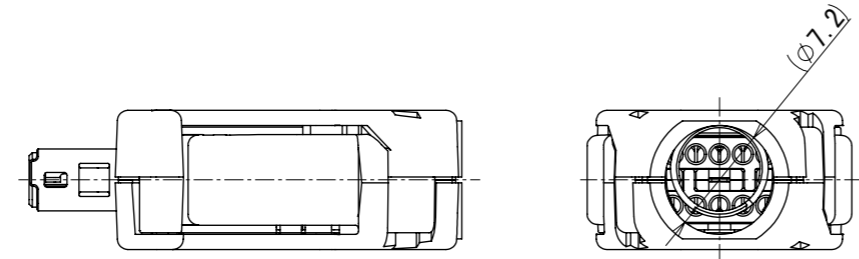
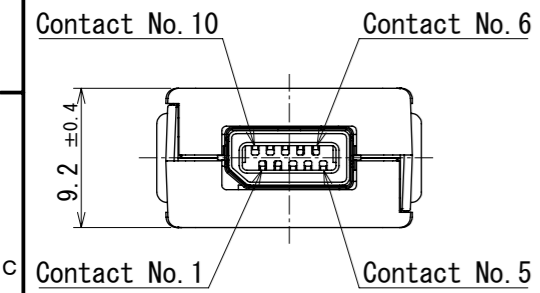


Mar.1.2026 Copyright 2026 HIROSE ELECTRIC CO., LTD. All Rights Reserved.
In case of consideration for using Automotive equipment / device which demand high reliability, kindly contact our sales window correspondents.

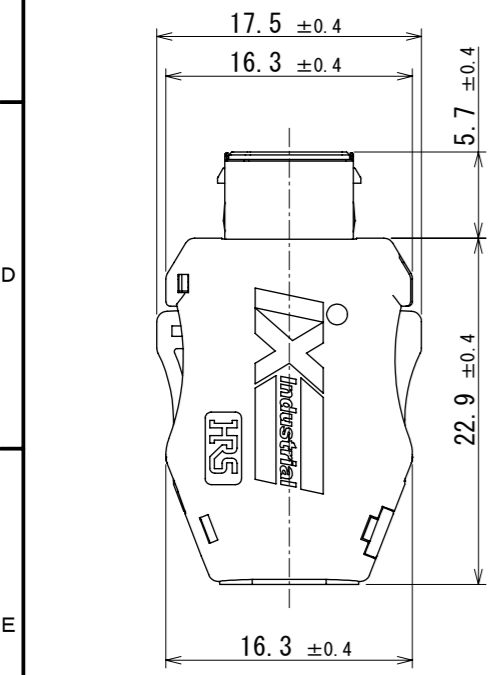
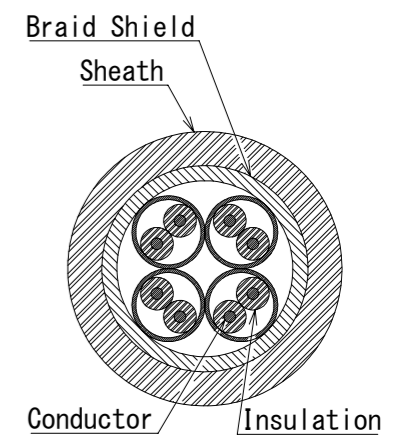


Notes. 1. Recommended cable condition is shown below.
A list of compatible cables is available on the Hirose website.
When using a non-recommended cable, please contact a Hirose sales representative.
Refer to the technical specification (ETAD-E3256) for wiring and assembly procedures.
△ For wiring and assembly procedures, please refer to technical specification (ATAD-E3256) for IX30G, IX31G, and IX32G, and to technical specification (ATAD-E3162) for IX35G.



△ Recommended Cable

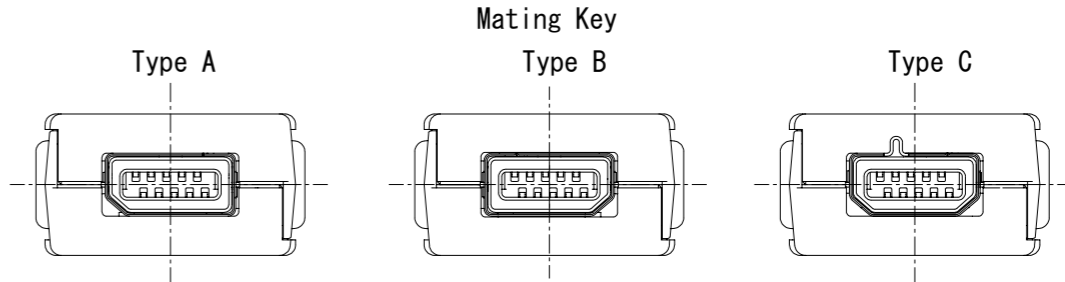
Items		IX30G	IX31G	IX32G	IX30G
Conductor	Size	AWG26 to 28	AWG24 to 25	AWG22	AWG30
	Composition	7 stranded			
	Material	Annealed copper Wire			
Insulation O.D.		ø0.95 to 1.05mm	ø1.1 to 1.25mm	ø1.4 to 1.6mm	ø0.54 to 0.72mm
Braid Shield		Tin plating			
Sheath O.D.		ø6.3 to 7.2mm			



2. Type A and Type C are defined for 10/100 Mbit/s and 1/10 Gbit/s Ethernet communication.
Please use Type B for all other non Ethernet applications like signaling, serial or other industrial bus communication systems. Type B is not defined pin assignment.

Pin Assignment For 10/100 Mbit/s And 1/10 Gbit/s Ethernet

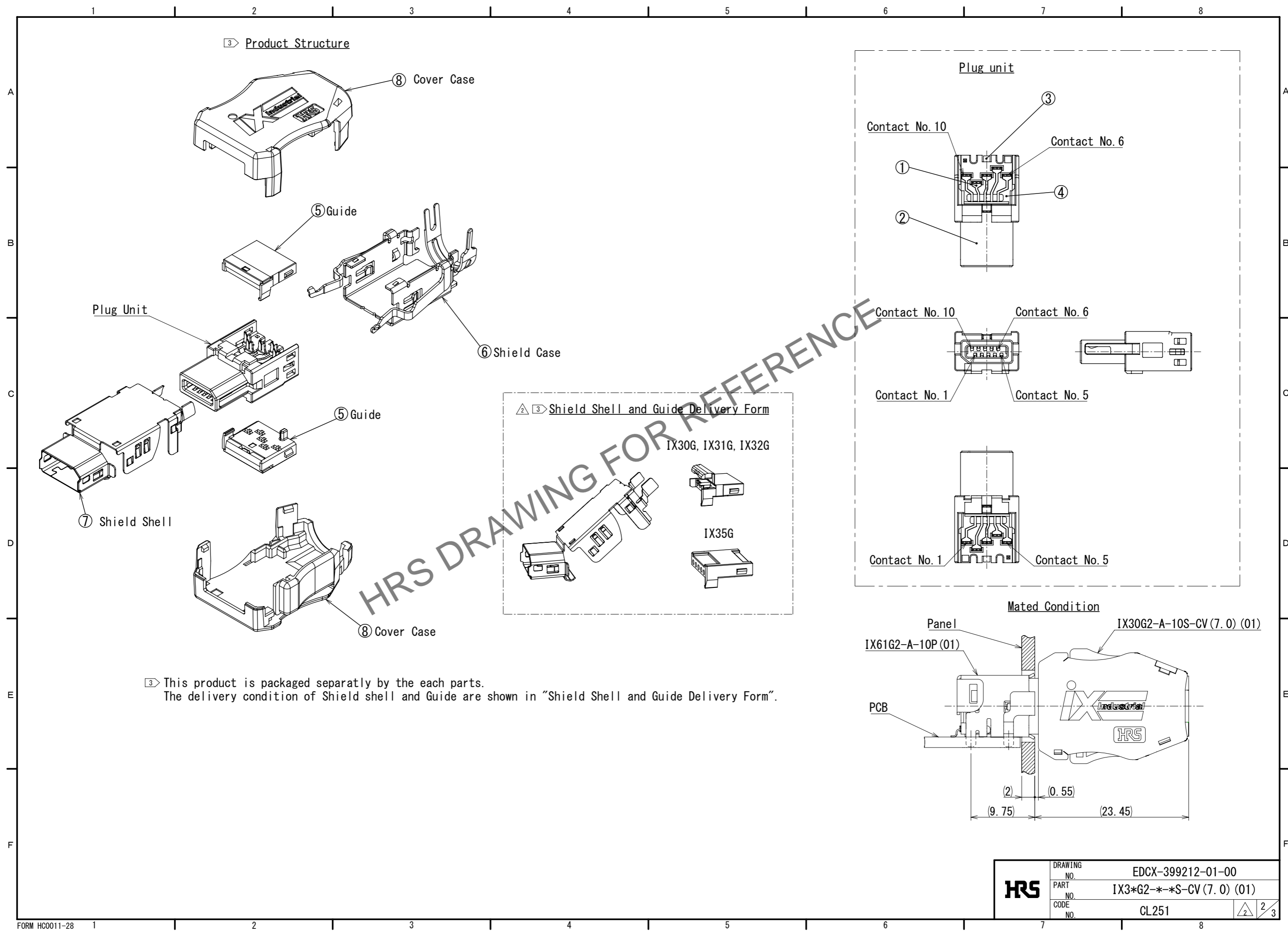
Contact No.	Signal		Use TIA Cable	
	10/100Mbit/s	1/10Gbit/s	TIA/EIA-568-A	TIA/EIA-568-B
1	TX+	BI_DA+	White/Green	White/Orange
2	TX-	BI_DA-	Green	Orange
3	N.C	N.C	N.C	N.C
4	N.C	BI_DC+	Blue	Blue
5	N.C	BI_DC-	White/Blue	White/Blue
6	RX+	BI_DB+	White/Orange	White/Green
7	RX-	BI_DB-	Orange	Green
8	N.C	N.C	N.C	N.C
9	N.C	BI_DD+	White/Brown	White/Brown
10	N.C	BI_DD-	Brown	Brown



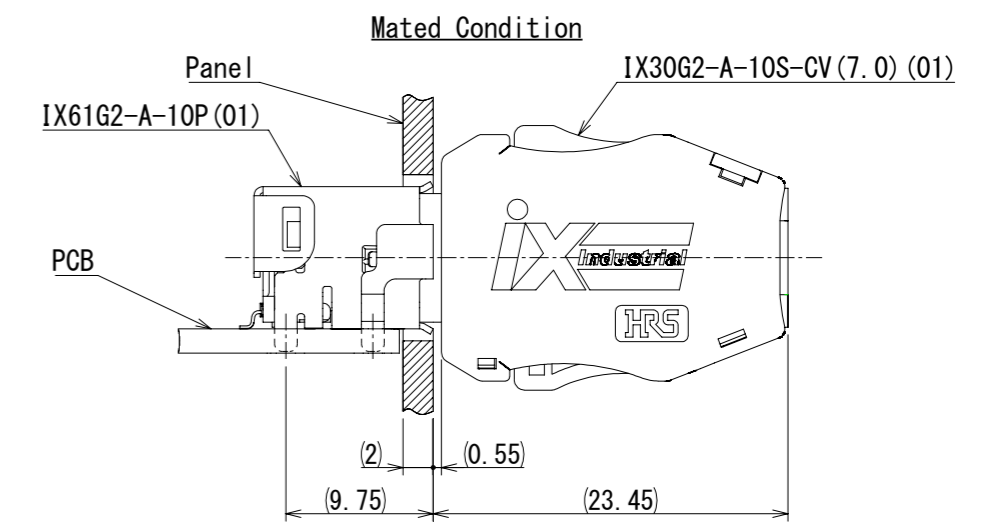
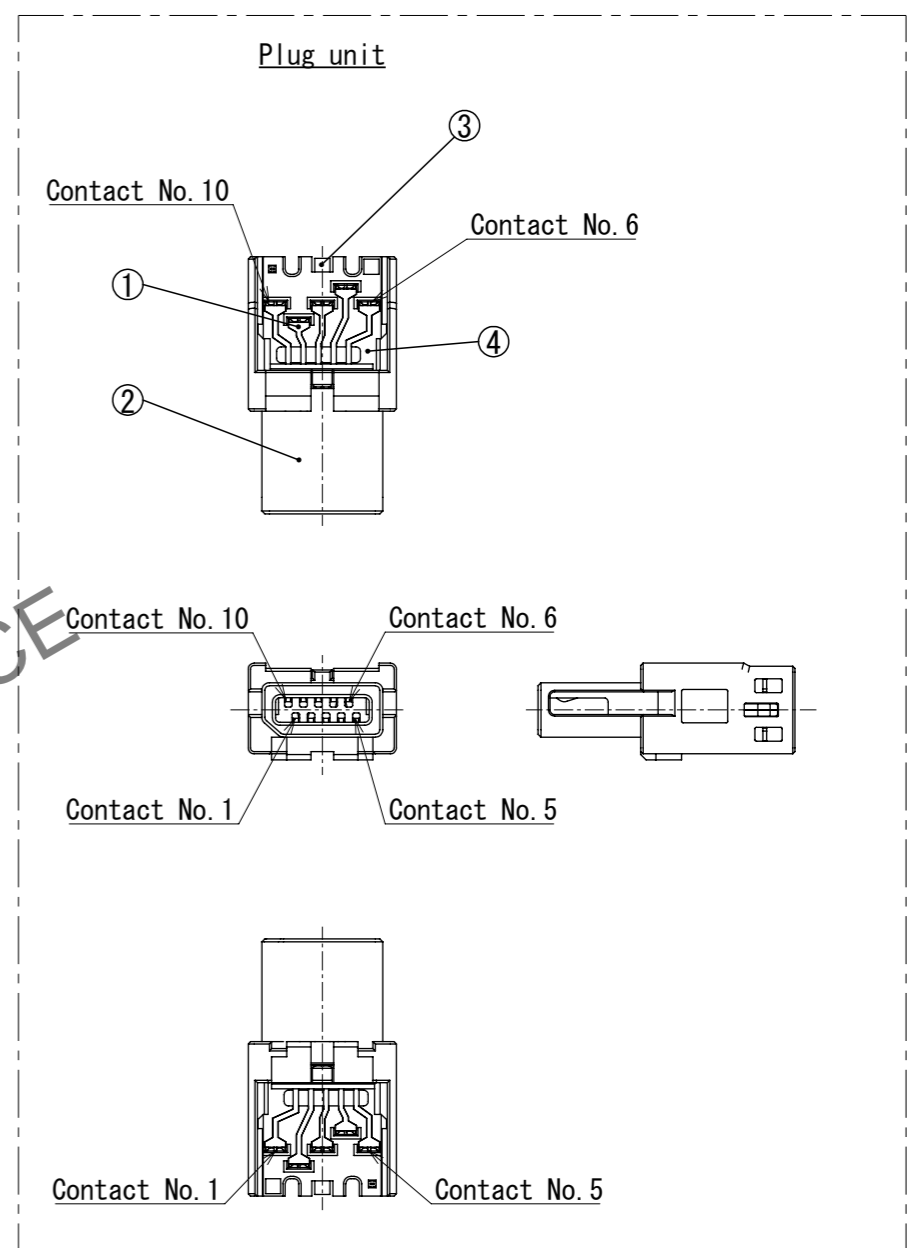
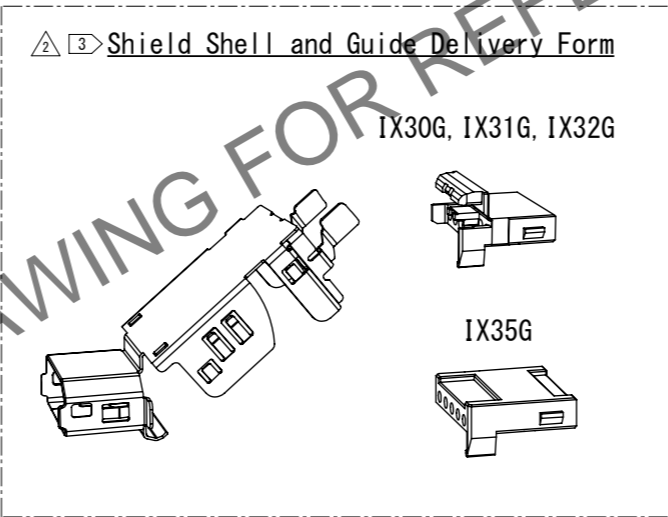
4	PA	30G : Black, UL94V-0 31G · 32G : Gray, UL94V-0	8	PC	Dark gray, UL94V-0		
3	Stainless Steel		7	Stainless Steel	Nickel 0.2 μm min		
2	PA	Black, UL94V-0	6	Stainless Steel	Nickel 1 μm min		
1	Copper Alloy	Contact area : Palladium-Nickel 0.75 μm min + Gold 0.05 μm min Wiring area : Gold 0.03 μm min Under plating : Nickel 2 μm min	5	PC	30G : Clear, UL94V-0 31G : Clear yellow, UL94V-0 32G : Clear blue, UL94V-0 35G : Clear red, UL94V-0 △		
NO.	MATERIAL	FINISH	REMARKS	NO.	MATERIAL	FINISH	REMARKS

UNITS mm		SCALE 2:1	COUNT 8	DESCRIPTION OF REVISIONS DIS-E-00018445	DESIGNED MY. KOMUKAI	CHECKED KI. KAGOTANI	DATE 2025. 04. 24
HRS HIROSE ELECTRIC CO., LTD.		APPROVED : TU. TANIGUCHI 2023. 02. 03	CHECKED : KI. KAGOTANI 2023. 02. 03	DESIGNED : MT. YASUDA 2023. 01. 27	DRAWN : MT. YASUDA 2023. 01. 27	DRAWING NO. EDCX-399212-01-00 PART NO. IX3*G2-*S-CV (7. 0) (01) CODE NO. CL251	

Mar.1.2026 Copyright 2026 HIROSE ELECTRIC CO., LTD. All Rights Reserved.
 In case of consideration for using Automotive equipment / device which demand high reliability, kindly contact our sales window correspondents.



③ This product is packaged separately by the each parts.
 The delivery condition of Shield shell and Guide are shown in "Shield Shell and Guide Delivery Form".



HRS	DRAWING NO.	EDCX-399212-01-00	②/③
	PART NO.	IX3*G2-*-*S-CV(7.0)(01)	
	CODE NO.	CL251	
	NO.		

Mar.1.2026 Copyright 2026 HIROSE ELECTRIC CO., LTD. All Rights Reserved.
In case of consideration for using Automotive equipment / device which demand high reliability, kindly contact our sales window correspondents.

4. Product Number Structure

IX 30G # - A - 10 S - CV (7.0) (##)

① ② ③ ④ ⑤ ⑥ ⑦ ⑧ ⑨

① Series Name	IX Series
② Assembly Method	30G : IDC (AWG#26 to 28, Insulator Outer Diameter ø0.95 to 1.05mm) 31G : IDC (AWG#24 to 25, Insulator Outer Diameter ø1.1 to 1.25mm) 32G : IDC (AWG#22, Insulator Outer Diameter ø1.4 to 1.6mm) 35G : IDC △ (AWG#30, Insulator Outer Diameter ø0.54 to 0.72mm)
③ Version	Blank : Ver. 1 2 : Ver. 2
④ Mating Key	A : Type A/For Ethenet B : Type B/For except Ethenet C : Type C/For Ethenet
⑤ Maximum Number of Usable Positions	10 : 10 pos. 8* : 8 pos.
⑥ Contact Gender	S:Female Contact
⑦ Plug Cover Cabling Direction	CV : Straight CVL1 : Downward Cabling CVL2 : Upward Cabling
⑧ Applicable Cable Diameter	(7.0)** : Sheath Outer Diameter ø6.3 to 7.2mm Z : Sheath Outer Diameter ø6.3 to 7.2mm
⑨ Plating Specifications	Blank : Gold Plated (01) : Palladium-Nickel Plated+Gold Plated

* For IX32G, Contacts No.3 and 8 do not have a hole to pass the wire through the IDC guide.
**If the cable outer diameter is less than 6.3 mm, please use heat shrink tubing or similar to increase the diameter to 6.3-7.2 mm. △

Applicable Products List

Product Name	HRS No.
IX30G2-A-10S-CV (7.0) (01)	CL0251-0113-0-01
IX31G2-A-10S-CV (7.0) (01)	CL0251-0114-0-01
IX32G2-A-8S-CV (7.0) (01)	CL0251-0115-0-01
△ IX35G2-A-10S-CV (7.0) (01)	CL0251-0101-0-01
IX30G2-B-10S-CV (7.0) (01)	CL0251-0116-0-01
IX31G2-B-10S-CV (7.0) (01)	CL0251-0117-0-01
IX32G2-B-8S-CV (7.0) (01)	CL0251-0118-0-01
△ IX35G2-B-10S-CV (7.0) (01)	CL0251-0102-0-01
IX30G2-C-10S-CV (7.0) (01)	CL0251-0119-0-01
IX31G2-C-10S-CV (7.0) (01)	CL0251-0120-0-01
IX32G2-C-8S-CV (7.0) (01)	CL0251-0121-0-01

HRS DRAWING FOR REFERENCE

HRS	DRAWING NO.	EDCX-399212-01-00	
	PART NO.	IX3*G2-*-*S-CV (7.0) (01)	
	CODE NO.	CL251	△ 3/3