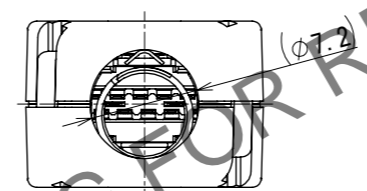
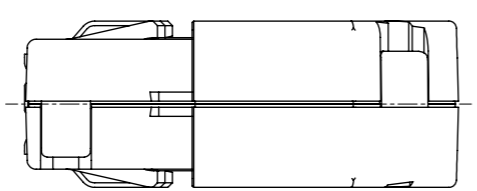
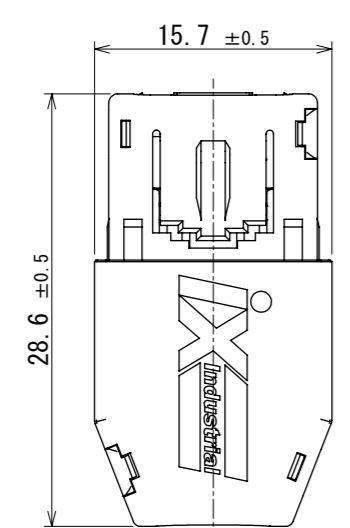
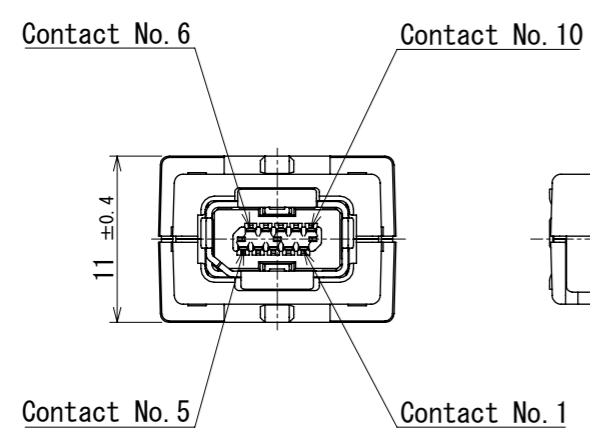
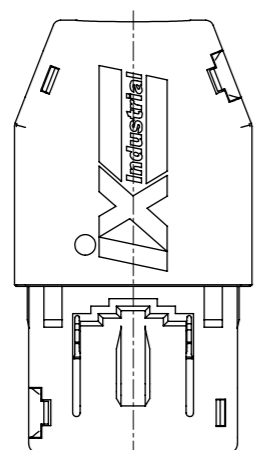
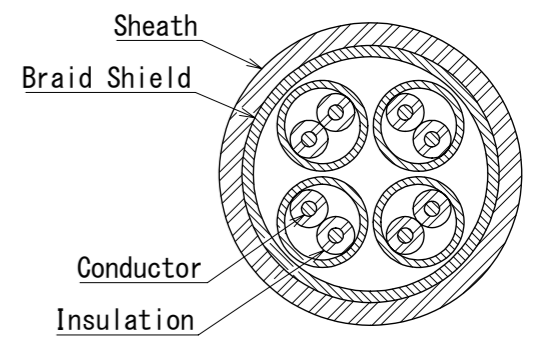


Jan.1.2024 Copyright 2024 HIROSE ELECTRIC CO., LTD. All Rights Reserved.
In case of consideration for using Automotive equipment / device which demand high reliability, kindly contact our sales window correspondents.



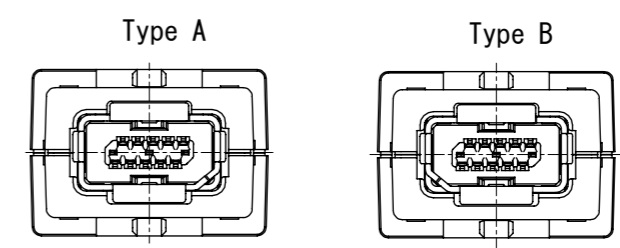
Notes. 1. Recommended cable condition is shown below.
A list of compatible cables is available on the Hirose website.
When using a non-recommended cable, please contact a Hirose sales representative.
Refer to the technical specification(ETAD-E3234-00) for wiring and assembly procedures.

Recommended Cable	
Items	Recommended Condition
Conductor size	AWG # 28-22
Insulation O.D.	Φ1.55mm Max.
Braid Shield	Tin plating
Sheath O.D.	Φ6.3-7.2mm



2. This product(Type B) is used for non Ethernet applications like signaling, serial or other industrial bus communication sysetems.
Please use Type A for 10/100Mbit/s and 1/10Gbit/s Ethernet communication.

Mating Key



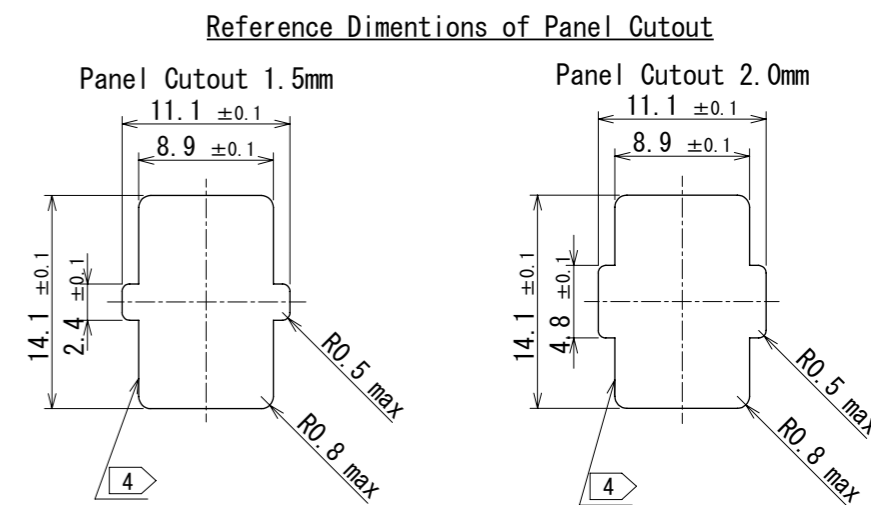
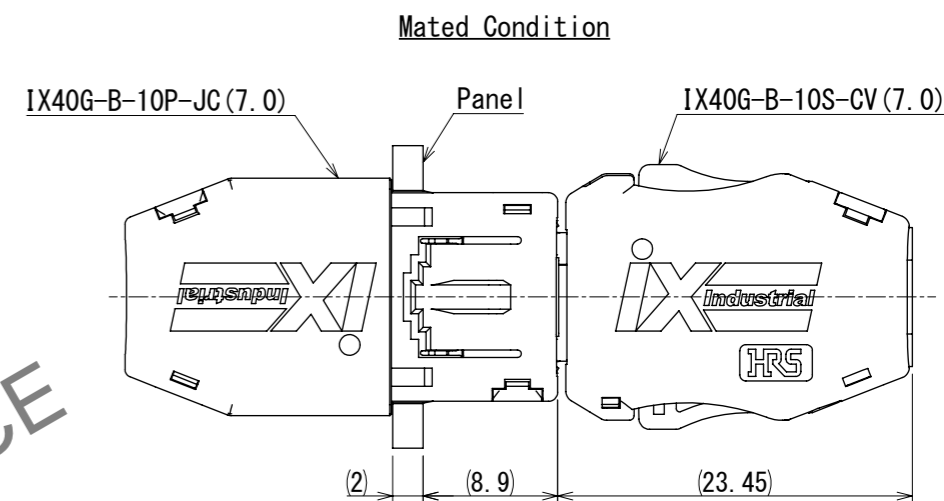
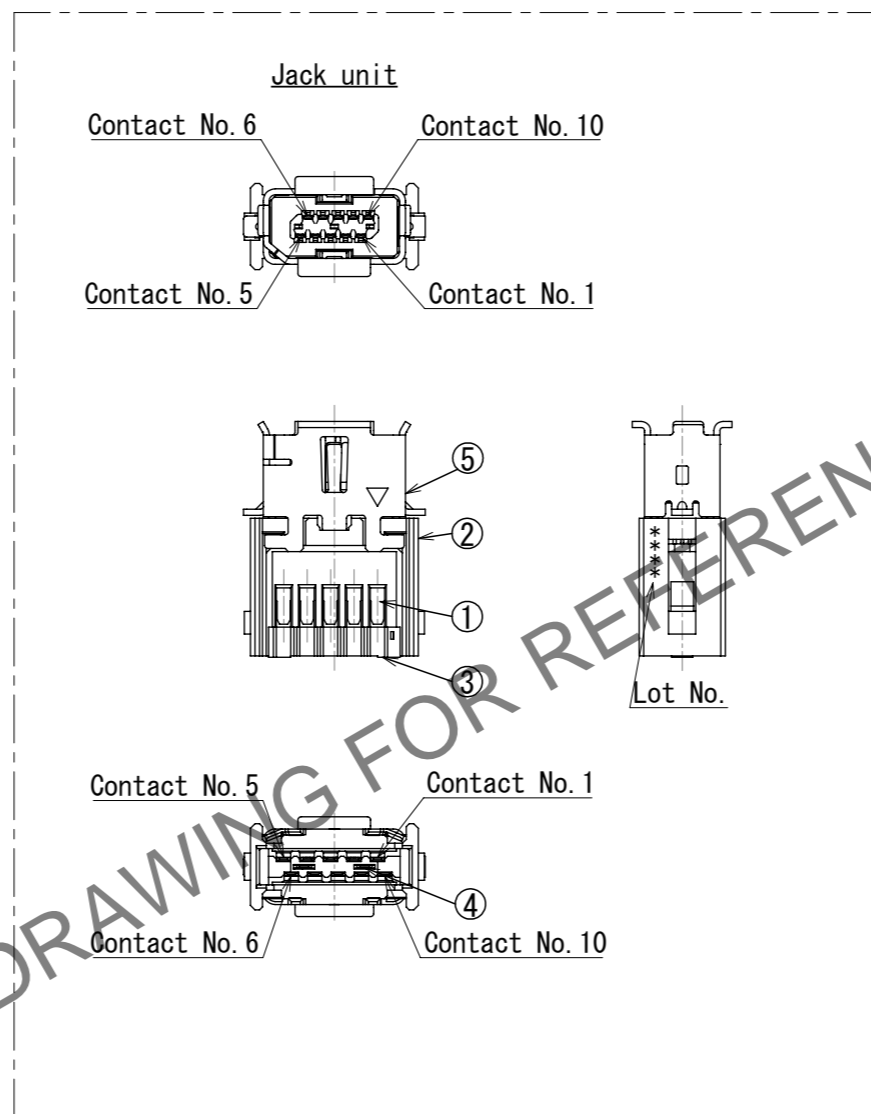
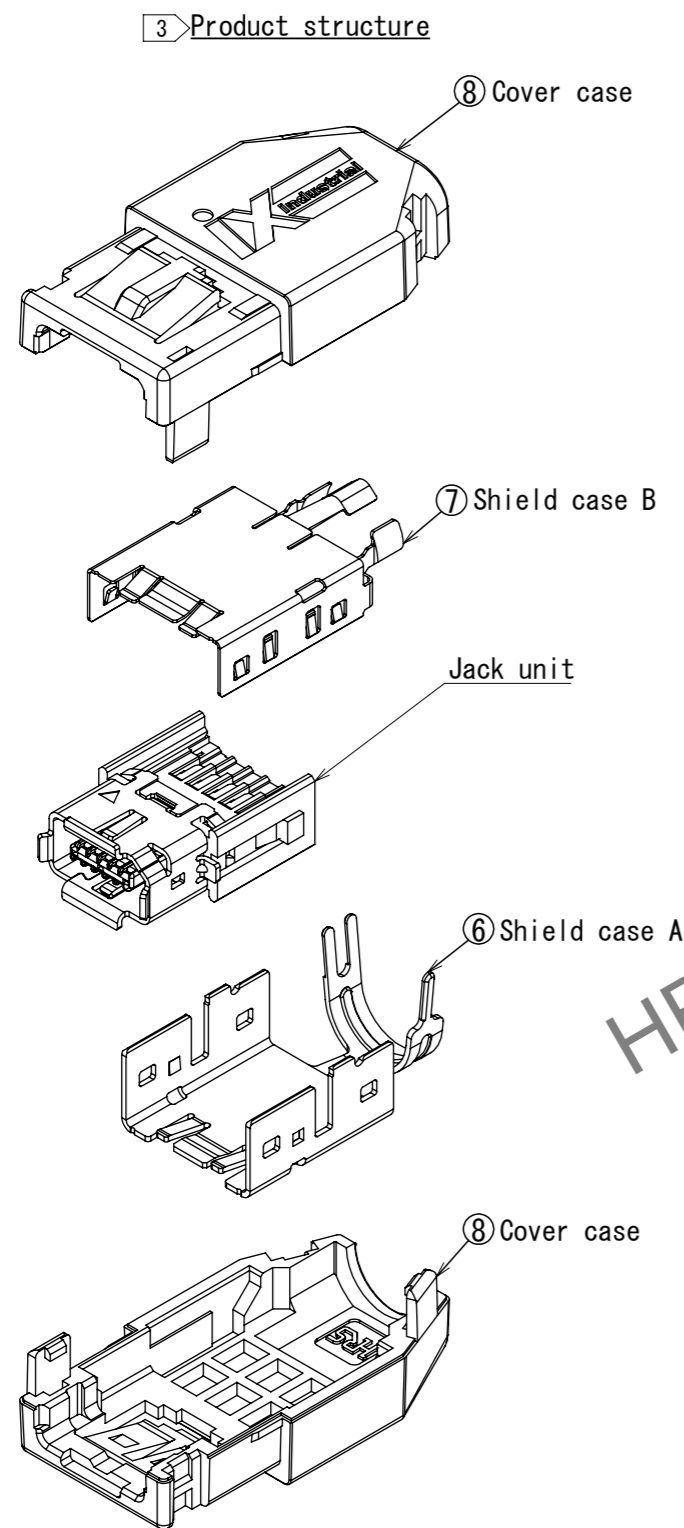
△ 3 Excluding the jack unit, this product is packed separately by the types of parts.

3	PA	Black, UL94V-0	8	PC	Dark gray, UL94V-0		
2	PA	Black, UL94V-0	7	Stainless Steel	Nickel 1μm min		
1	Copper Alloy	Contact area : Gold 0.2μm min Wiring area : Gold 0.03μm min Under plating : Nickel 2μm min	6	Stainless Steel	Nickel 1μm min		
			5	Stainless Steel	Nickel 0.2μm min		
4	Stainless Steel						
NO.	MATERIAL	FINISH	REMARKS	NO.	MATERIAL	FINISH	REMARKS

UNITS	SCALE	COUNT	DESCRIPTION OF REVISIONS	DESIGNED	CHECKED	DATE
mm	2:1	1	DIS-E-00011741	SN. TOYOSHIMA	KI. KAGOTANI	2022. 11. 22
APPROVED : MN. KENJO 2021. 08. 17			DRAWING NO.		EDC-395800-00-00	
CHECKED : KI. KAGOTANI 2021. 08. 17			PART NO.		IX40G-B-10P-JC (7. 0)	
DESIGNED : TS. ITO 2021. 08. 12			CODE NO.		CL0251-0111-0-00	
DRAWN : TS. ITO 2021. 08. 12						



Jan.1.2024 Copyright 2024 HIROSE ELECTRIC CO., LTD. All Rights Reserved.
 In case of consideration for using Automotive equipment / device which demand high reliability, kindly contact our sales window correspondents.



4 To prevent shaving, please add a chamfer of 0.1 on the periphery as shown in the above figure with the bold line.
 The number of insertions to the panel is up to 10 times.

HRS	DRAWING NO.	EDC-395800-00-00	
	PART NO.	IX40G-B-10P-JC (7.0)	
	CODE NO.	CL0251-0111-0-00	
	NO.		