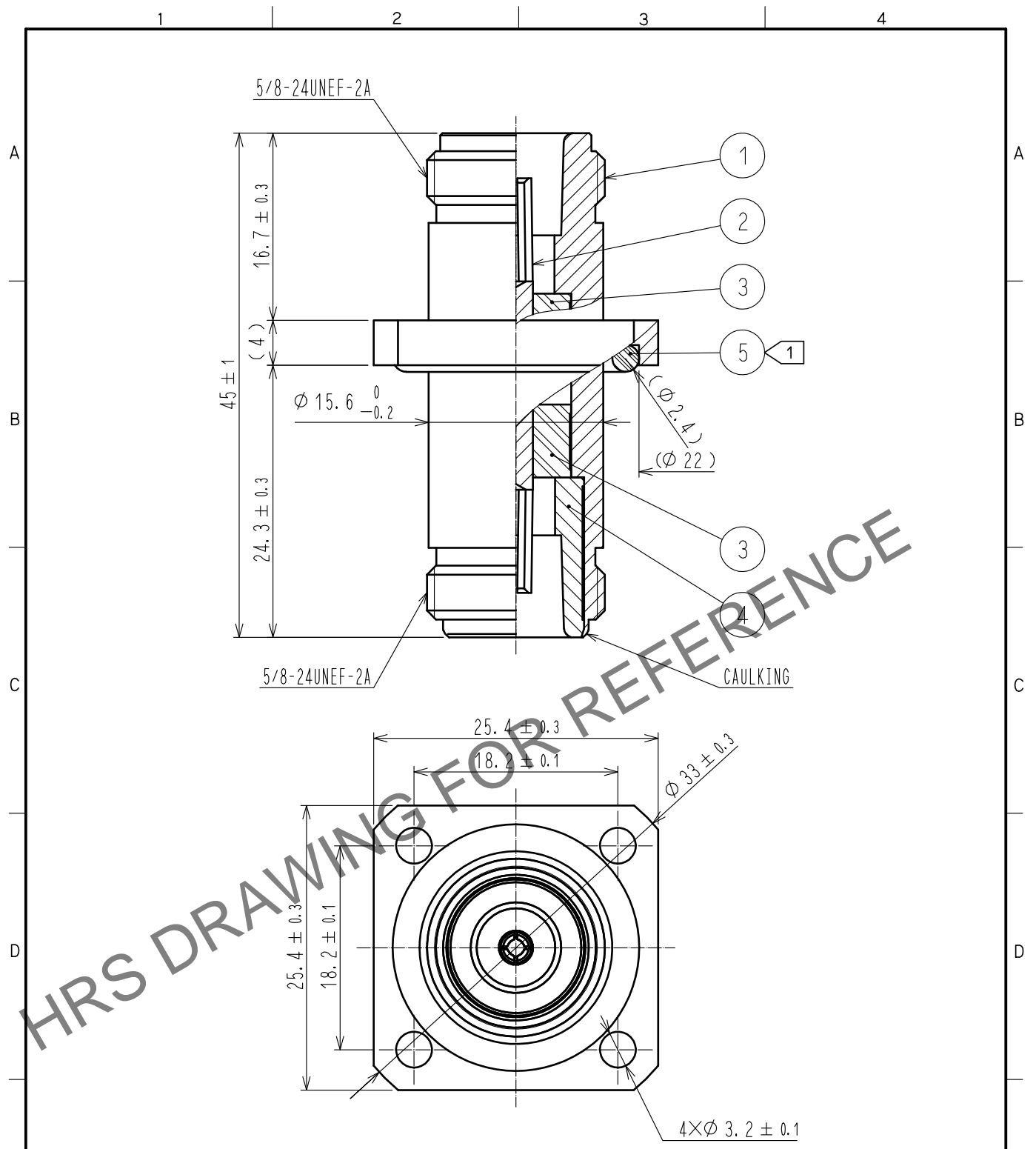


Oct.1.2024 Copyright 2024 HIROSE ELECTRIC CO., LTD. All Rights Reserved.  
In case of consideration for using Automotive equipment / device which demand high reliability, kindly contact our sales window correspondents.



NOTE 1 IF THE O-RING COMES OFF, RETURN IT TO THE POSITION SHOWN IN THE FIGURE.

3	PTFE			5	SILICONE RUBBER	O-RING(RED)	
2	BERYLLIUM COPPER	GOLD PLATING		4	BRASS	NICKEL PLATING	
1	BRASS	NICKEL PLATING					
NO.	MATERIAL	FINISH	REMARKS	NO.	MATERIAL	FINISH	REMARKS
UNITS mm		SCALE 2 : 1		COUNT		DESCRIPTION OF REVISIONS	
DESIGNED		CHECKED		DATE			
<b>HIROSE ELECTRIC CO., LTD.</b>		APPROVED	·NK. NINOMIYA	20210928	DRAWING NO.	EDC-367985-00-00	
		CHECKED	·NK. NINOMIYA	20210928	PART NO.	N-WPA-JJ	
		DESIGNED	·MT. KANEKO	20210928	CODE NO.	CL0301-0005-0-00	
		DRAWN	·YK. MITSUISHI	20210928			