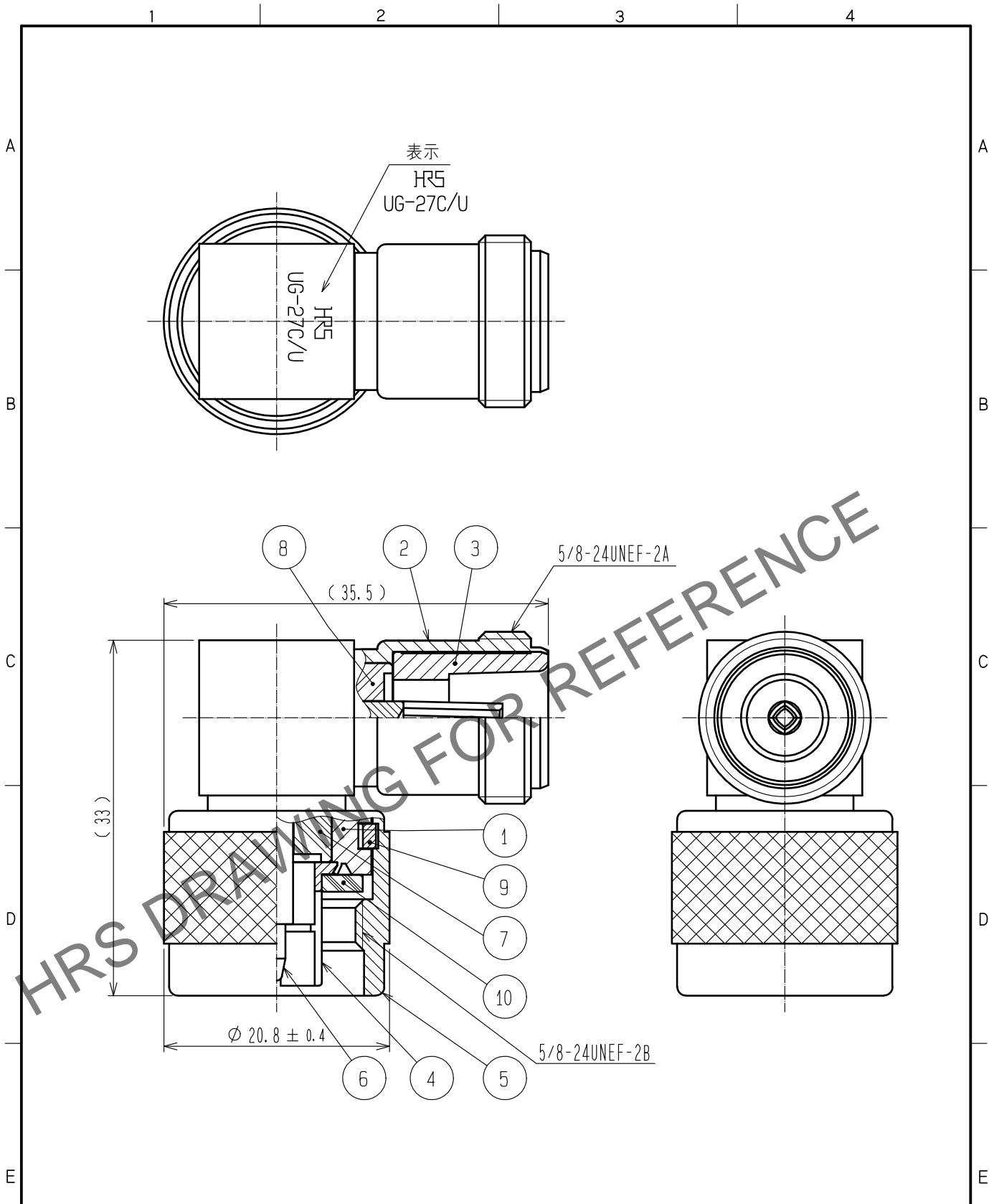


Oct.1.2024 Copyright 2024 HIROSE ELECTRIC CO.,LTD. All Rights Reserved.
 本製品を車載用途などの高い信頼性が求められる機器にご使用の場合は、弊社までお問合せ下さい。



| 5 | 黄銅 | 銀めっき | 10 | シリコンゴム | | | |
|-----|----------|--------|---------|--------|----------|--------|---------|
| 4 | りん青銅 | 銀めっき | 9 | りん青銅 | 銀めっき | | |
| 3 | 黄銅 | 銀めっき | 8 | PTFE樹脂 | | | |
| 2 | 黄銅 | 銀めっき | 7 | PTFE樹脂 | | | |
| 1 | 黄銅 | 銀めっき | 6 | ベリリウム銅 | 銀めっき | | |
| NO. | MATERIAL | FINISH | REMARKS | NO. | MATERIAL | FINISH | REMARKS |

| UNITS mm | SCALE 2 : 1 | COUNT | DESCRIPTION OF REVISIONS | DESIGNED | CHECKED | DATE |
|-------------|----------------|-------|--------------------------|----------|---------|------|
| | | | | | | |

| | | | | |
|---------------------------|------------------------|----------|-------------|------------------|
| HIROSE ELECTRIC CO., LTD. | APPROVED : KY. SHIMIZU | 20191122 | DRAWING NO. | ADC-000316-40-50 |
| | CHECKED : KY. SHIMIZU | 20191122 | PART NO. | UG-27C/U(40) |
| | DESIGNED : TM. YOSHIDA | 20191122 | CODE NO. | CL301-0015-9-40 |
| | DRAWN : TM. YOSHIDA | 20191122 | | |