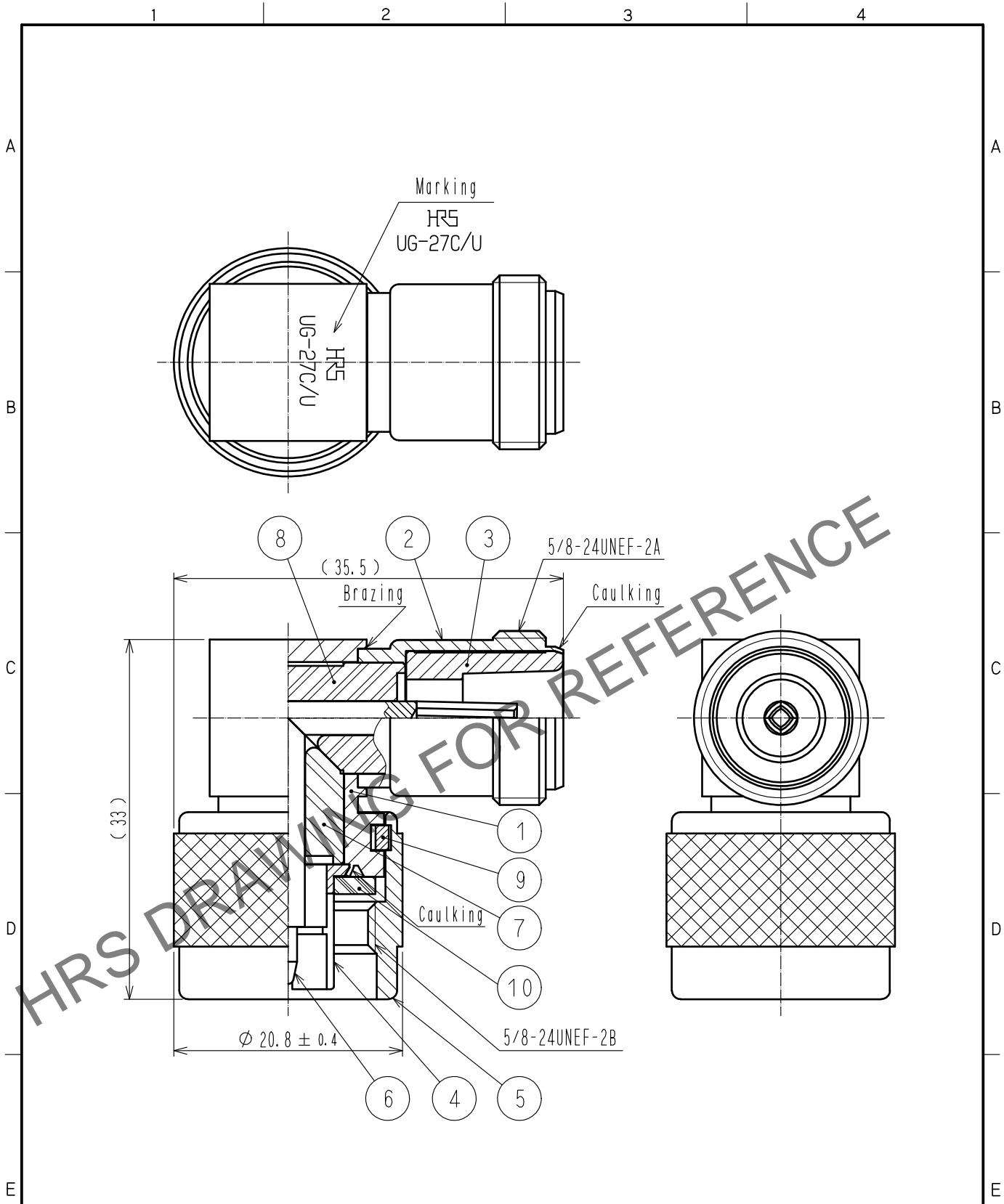


Sep. 1. 2024 Copyright 2024 HIROSE ELECTRIC CO., LTD. All Rights Reserved.  
 In case of consideration for using Automotive equipment / device which demand high reliability, kindly contact our sales window correspondents.



5	BRASS	SILVER PLATING	10	SILICONE RUBBER	
4	PHOSPHOR BRONZE	SILVER PLATING	9	PHOSPHOR BRONZE	SILVER PLATING
3	BRASS	SILVER PLATING	8	PTFE	
2	BRASS	SILVER PLATING	7	PTFE	
1	BRASS	SILVER PLATING	6	BERYLLIUM COPPER	SILVER PLATING
NO.	MATERIAL	FINISH . REMARKS	NO.	MATERIAL	FINISH . REMARKS

UNITS mm	SCALE 2 : 1	COUNT	DESCRIPTION OF REVISIONS	DESIGNED	CHECKED	DATE
<b>HRS</b> HIROSE ELECTRIC CO., LTD.			APPROVED : NK. NINOMIYA 20210928 CHECKED : NK. NINOMIYA 20210928 DESIGNED : MT. KANEKO 20210928 DRAWN : YK. MITSUISHI 20210928	DRAWING NO. EDC-000316-40-00 PART NO. UG-27C/U(40) CODE NO. CL0301-0015-9-40		