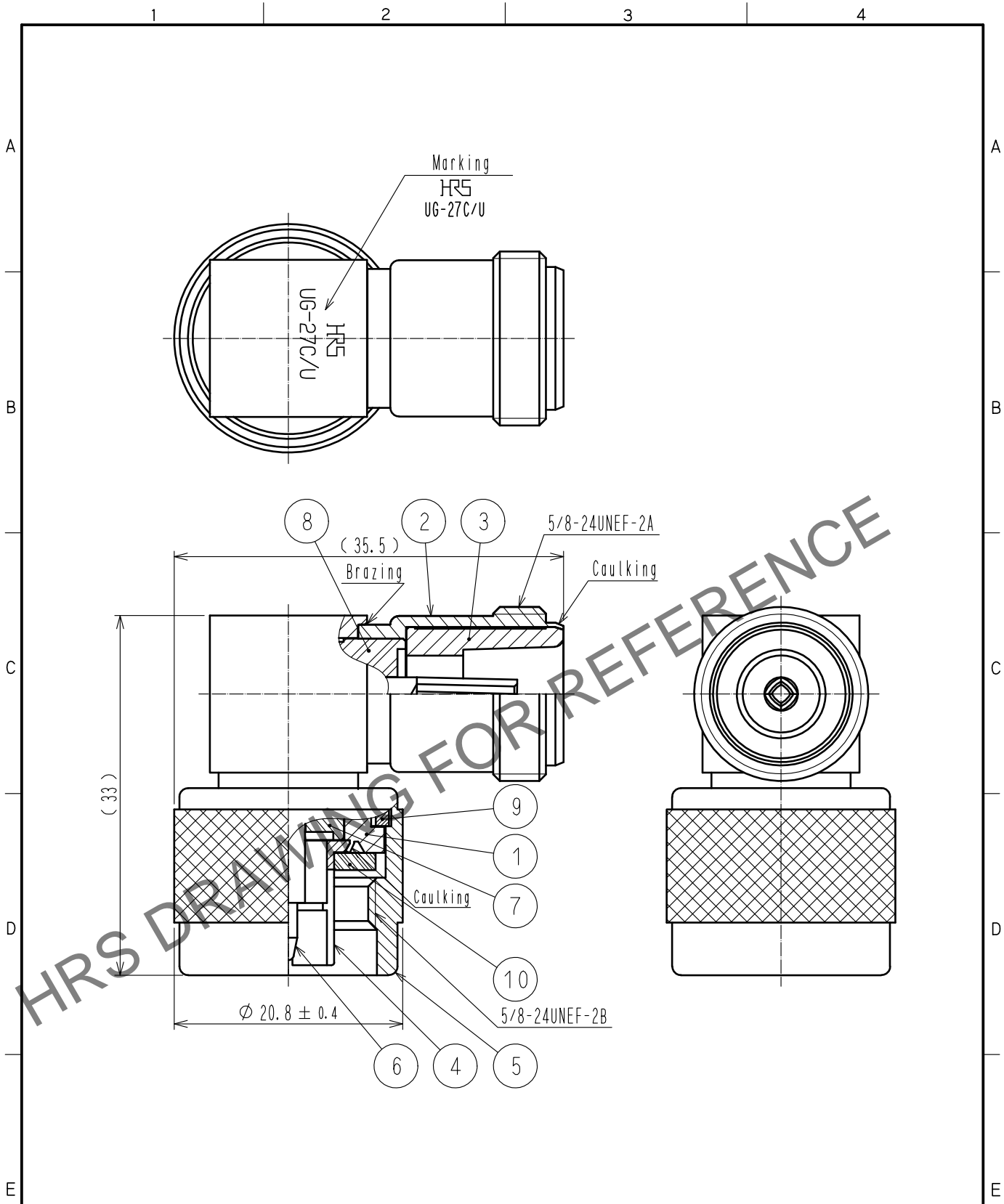


Sep. 1. 2024 Copyright 2024 HIROSE ELECTRIC CO., LTD. All Rights Reserved.
 In case of consideration for using Automotive equipment / device which demand high reliability, kindly contact our sales window correspondents.



5	BRASS	NICKEL PLATING	10	SILICONE RUBBER	
4	PHOSPHOR BRONZE	NICKEL PLATING	9	PHOSPHOR BRONZE	NICKEL PLATING
3	BRASS	NICKEL PLATING	8	PTFE	
2	BRASS	NICKEL PLATING	7	PTFE	
1	BRASS	NICKEL PLATING	6	BERYLLIUM COPPER	GOLD PLATING
NO.	MATERIAL	FINISH . REMARKS	NO.	MATERIAL	FINISH . REMARKS

UNITS mm		SCALE 2 : 1	COUNT 	DESCRIPTION OF REVISIONS	DESIGNED	CHECKED	DATE
HIROSE ELECTRIC CO., LTD.		APPROVED : NK. NINOMIYA	20210928	DRAWING NO.	EDC-000316-43-00		
		CHECKED : NK. NINOMIYA	20210928	PART NO.	UG-27C/U(43)		
		DESIGNED : MT. KANEKO	20210928	CODE NO.	CL0301-0015-9-43		
		DRAWN : YK. MITSUISHI	20210928				