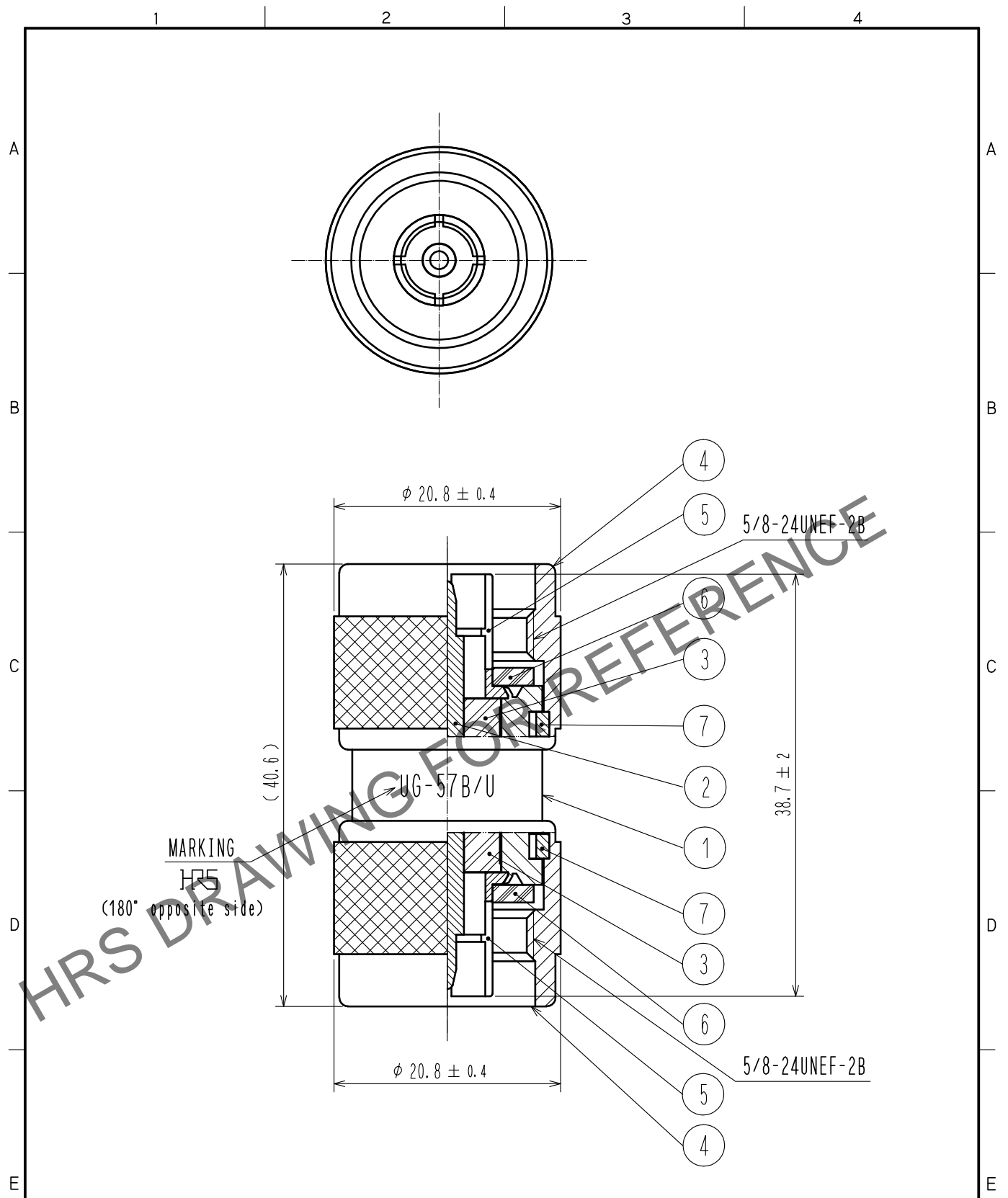


Sep. 1. 2024 Copyright 2024 HIROSE ELECTRIC CO., LTD. All Rights Reserved.  
 In case of consideration for using Automotive equipment / device which demand high reliability, kindly contact our sales window correspondents.



4	BRASS	SILVER PLATING		7	PHOSPHOR BRONZE	SILVER PLATING	
3	PTFE			6	SILICON RUBBER		
2	BRASS	SILVER PLATING		5	PHOSPHOR BRONZE	SILVER PLATING	
1	BRASS	SILVER PLATING					
NO.	MATERIAL	FINISH	REMARKS	NO.	MATERIAL	FINISH	REMARKS

UNITS mm		SCALE 2 : 1	COUNT 	DESCRIPTION OF REVISIONS	DESIGNED	CHECKED	DATE
HIROSE ELECTRIC CO., LTD.		APPROVED : TO. KATAYAMA 20200526	DRAWING NO. EDC-000470-40-40				
		CHECKED : TO. KATAYAMA 20200526	PART NO. UG-57B/U(40)				
		DESIGNED : TM. YOSHIDA 20200526	CODE NO. CL301-0018-7-40				
		DRAWN : TM. YOSHIDA 20200526		1/1			