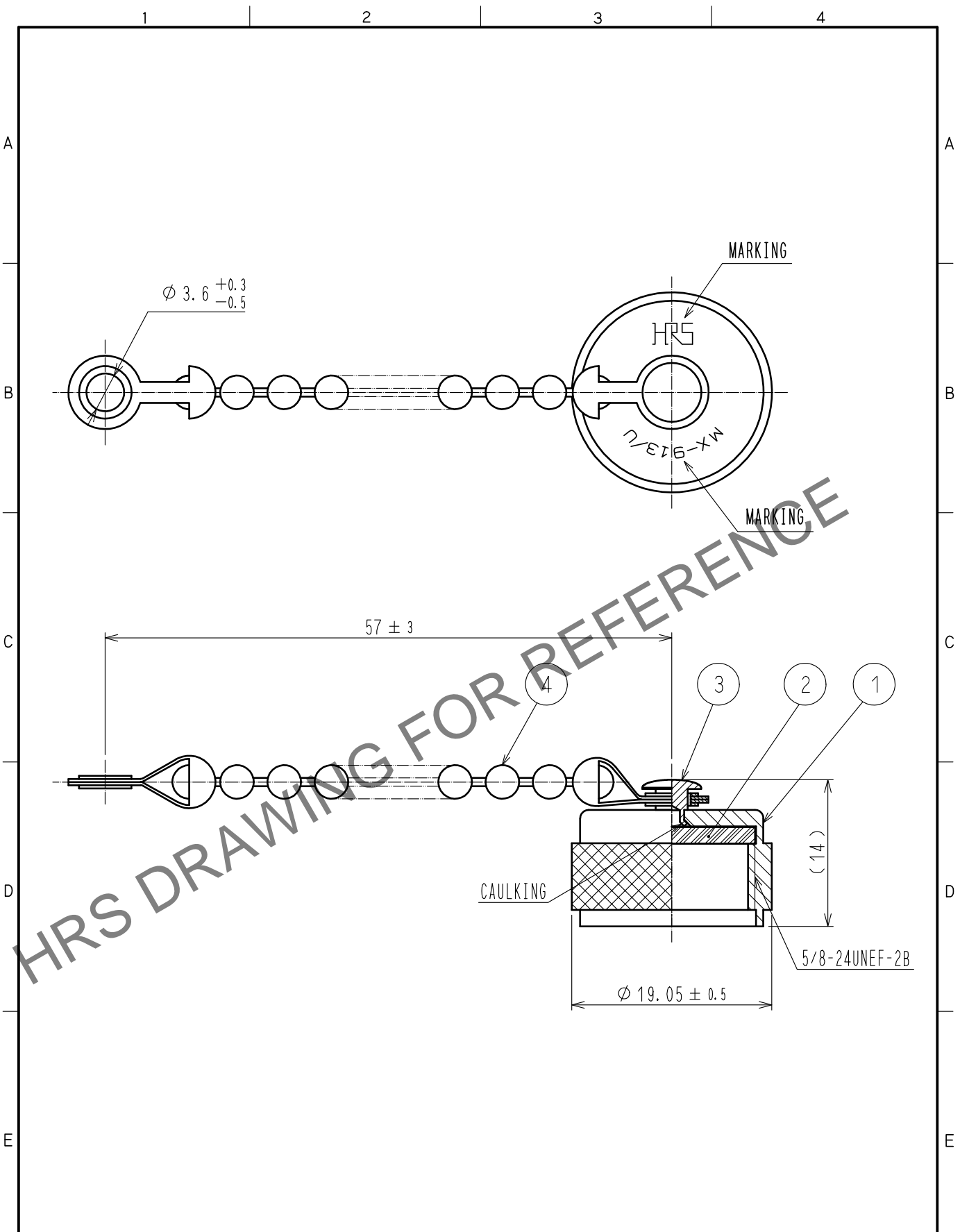


Sep. 1. 2024 Copyright 2024 HIROSE ELECTRIC CO., LTD. All Rights Reserved.
 In case of consideration for using Automotive equipment / device which demand high reliability, kindly contact our sales window correspondents.



2	SILICONE RUBBER		4	BRASS	SILVER PLATING		
1	BRASS	SILVER PLATING	3	BRASS	SILVER PLATING		
NO.	MATERIAL	FINISH . REMARKS	NO.	MATERIAL	FINISH . REMARKS		
UNITS mm		SCALE 2 : 1	COUNT 	DESCRIPTION OF REVISIONS	DESIGNED	CHECKED	DATE
HIROSE ELECTRIC CO., LTD.		APPROVED : NK. NINOMIYA	20210928	DRAWING NO.	EDC-000417-40-00		
		CHECKED : NK. NINOMIYA	20210928	PART NO.	MX-913/U(40)		
		DESIGNED : MT. KANEKO	20210928	CODE NO.	CL0301-0020-9-40		
		DRAWN : YK. MITSUISHI	20210928				1