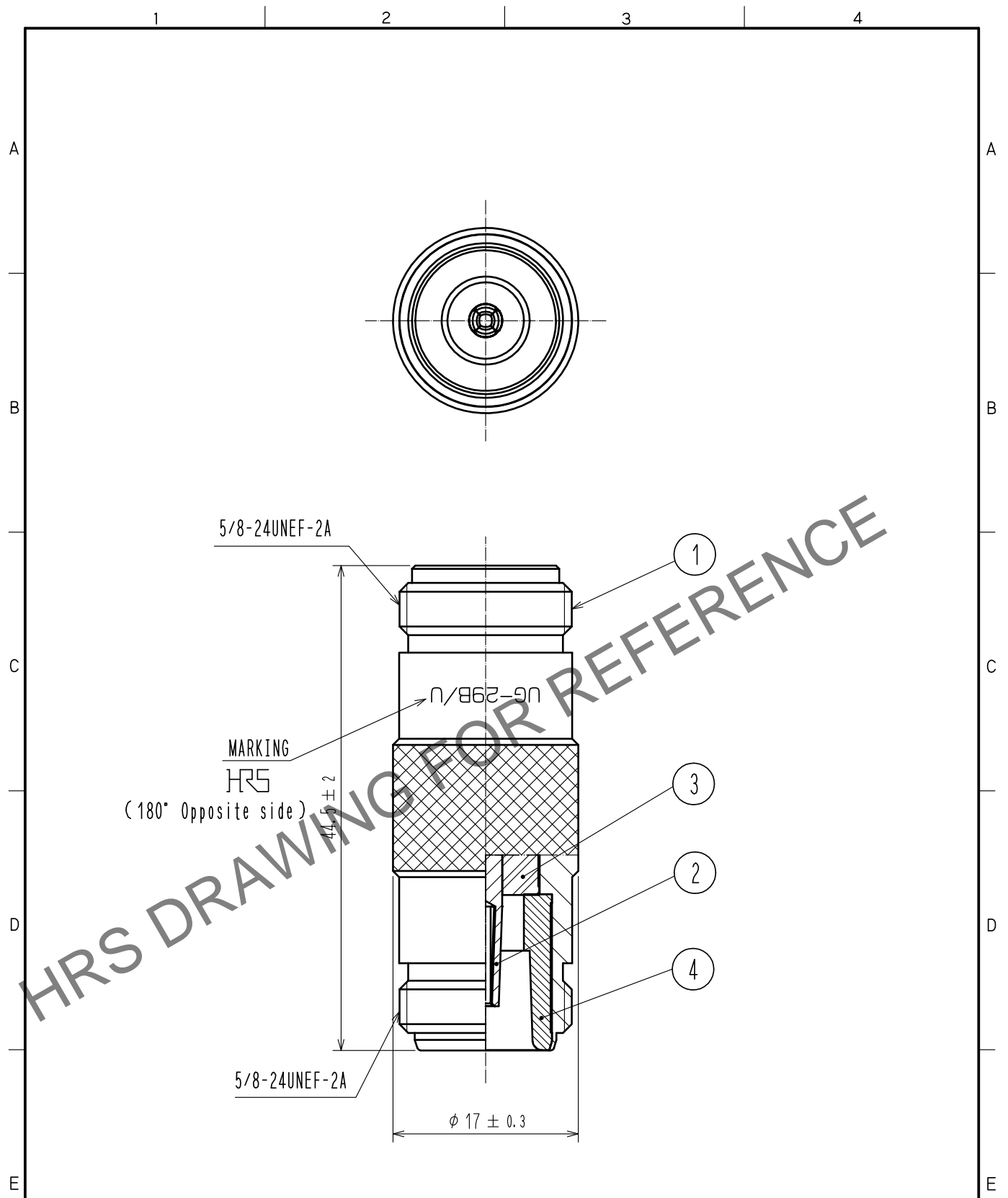


Oct.1.2024 Copyright 2024 HIROSE ELECTRIC CO., LTD. All Rights Reserved.
 In case of consideration for using Automotive equipment / device which demand high reliability, kindly contact our sales window correspondents.



2	BERYLLIUM COPPER	GOLD PLATING	4	BRASS	NICKEL PLATING		
1	BRASS	NICKEL PLATING	3	PTFE			
NO.	MATERIAL	FINISH . REMARKS	NO.	MATERIAL	FINISH . REMARKS		
UNITS mm		SCALE 2 : 1	COUNT 	DESCRIPTION OF REVISIONS	DESIGNED	CHECKED	DATE
HIROSE ELECTRIC CO., LTD.	APPROVED : TO. KATAYAMA	20200514	DRAWING NO.	EDC-000782-45-45			
	CHECKED : TO. KATAYAMA	20200514	PART NO.	UG-29B/U(45)			
	DESIGNED : TM. YOSHIDA	20200514	CODE NO.	CL301-0035-6-45			
	DRAWN : TM. YOSHIDA	20200514			1	1	