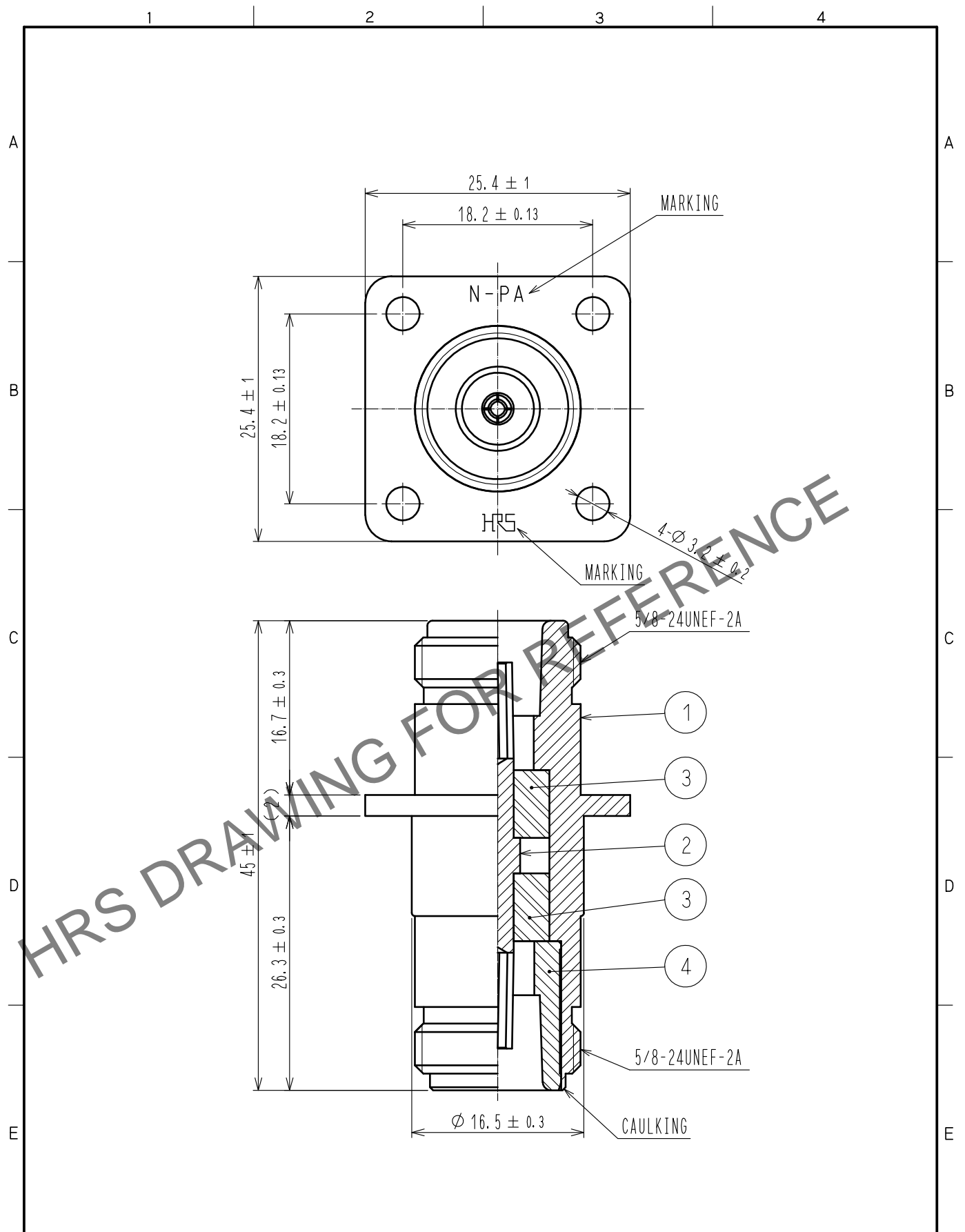


Oct.1.2024 Copyright 2024 HIROSE ELECTRIC CO., LTD. All Rights Reserved.
 In case of consideration for using Automotive equipment / device which demand high reliability, kindly contact our sales window correspondents.



2	BERYLLIUM COPPER	GOLD PLATING	4	BRASS	NICKEL PLATING		
1	BRASS	NICKEL PLATING	3	PTFE			
NO.	MATERIAL	FINISH . REMARKS	NO.	MATERIAL	FINISH . REMARKS		
UNITS mm		SCALE 2 : 1	COUNT 	DESCRIPTION OF REVISIONS	DESIGNED	CHECKED	DATE
HIROSE ELECTRIC CO., LTD.	APPROVED	:NK. NINOMIYA	20210928	DRAWING NO.	EDC-000071-42-00		
	CHECKED	:NK. NINOMIYA	20210928	PART NO.	N-PA(42)		
	DESIGNED	:MT. KANEKO	20210928	CODE NO.	CL0301-0036-9-42		
	DRAWN	:YK. MITSUISHI	20210928		1/1		