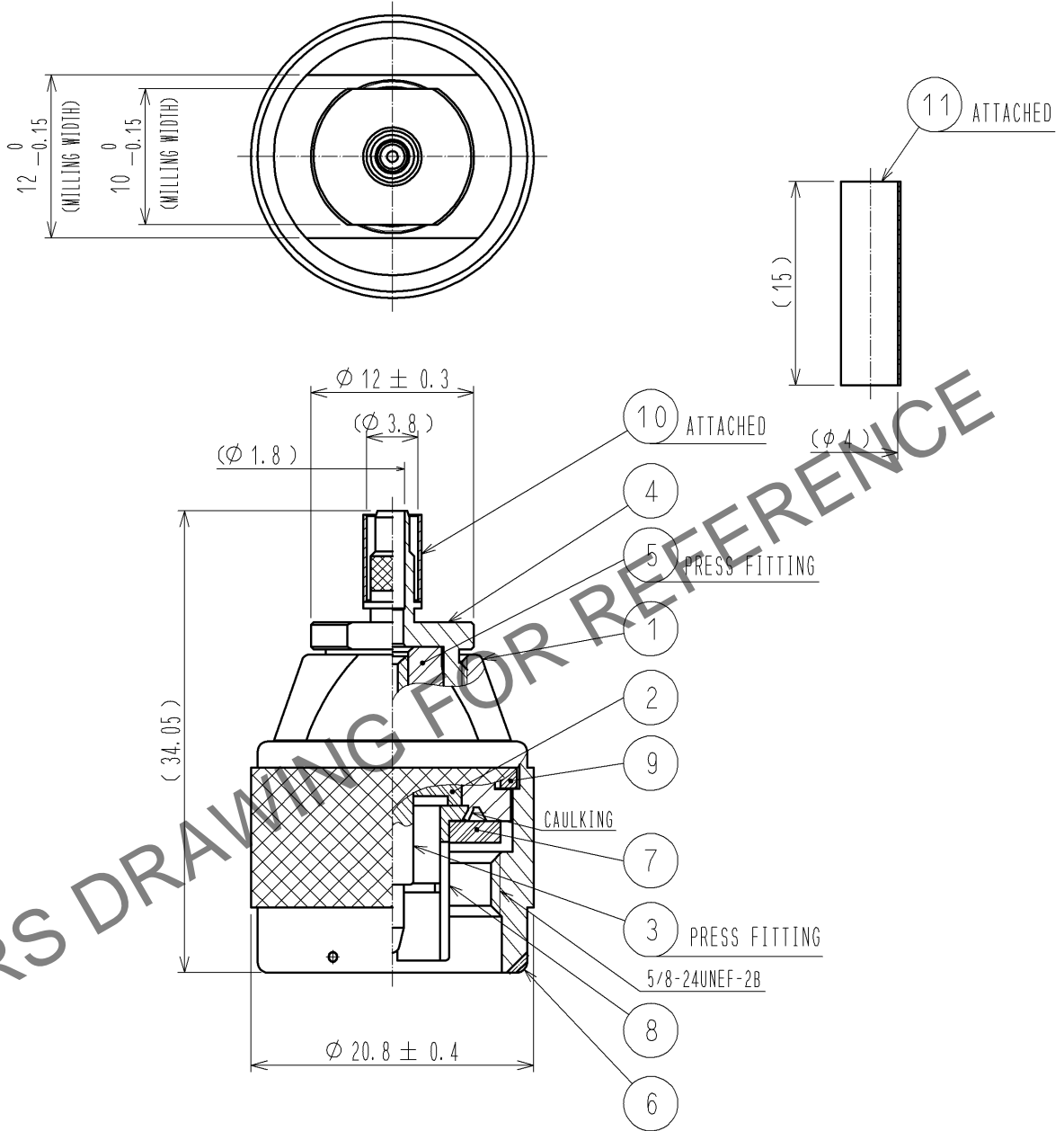


Sep.1.2024 Copyright 2024 HIROSE ELECTRIC CO., LTD. All Rights Reserved.
 In case of consideration for using Automotive equipment / device which demand high reliability, kindly contact our sales window correspondents.

CABLE ASSEMBLY TOOL OUTER CONDUCTOR : UM.MSS-T-1(1.5 HOLES)



RoHS COMPLIANT

6	BRASS	NICKEL PLATING					
5	PTFE		11	PLYOLEFIN	HEAT SHRINK TUBING(BLACK)		
4	BRASS	NICKEL PLATING	10	COPPER	NICKEL PLATING		
3	BRASS	GOLD PLATING	9	PHOSPHOR BRONZE	NICKEL PLATING		
2	PTFE		8	PHOSPHOR BRONZE	NICKEL PLATING		
1	BRASS	NICKEL PLATING	7	SILICONE RUBBER			
NO.	MATERIAL	FINISH .	REMARKS	NO.	MATERIAL	FINISH .	REMARKS

UNITS mm	SCALE 2 : 1	COUNT	DESCRIPTION OF REVISIONS	DESIGNED	CHECKED	DATE
HIROSE ELECTRIC CO., LTD.	APPROVED : TS. NOBE	12.10.09	DRAWING NO.	EDC4-132693-40		
	CHECKED : NK. NINOMIYA	12.10.09	PART NO.	N-P-1.5DQS(40)		
	DESIGNED : YI. FUNADA	12.10.04	CODE NO.	CL301-0267-1-40		
	DRAWN : YI. FUNADA	12.10.04		1/1		