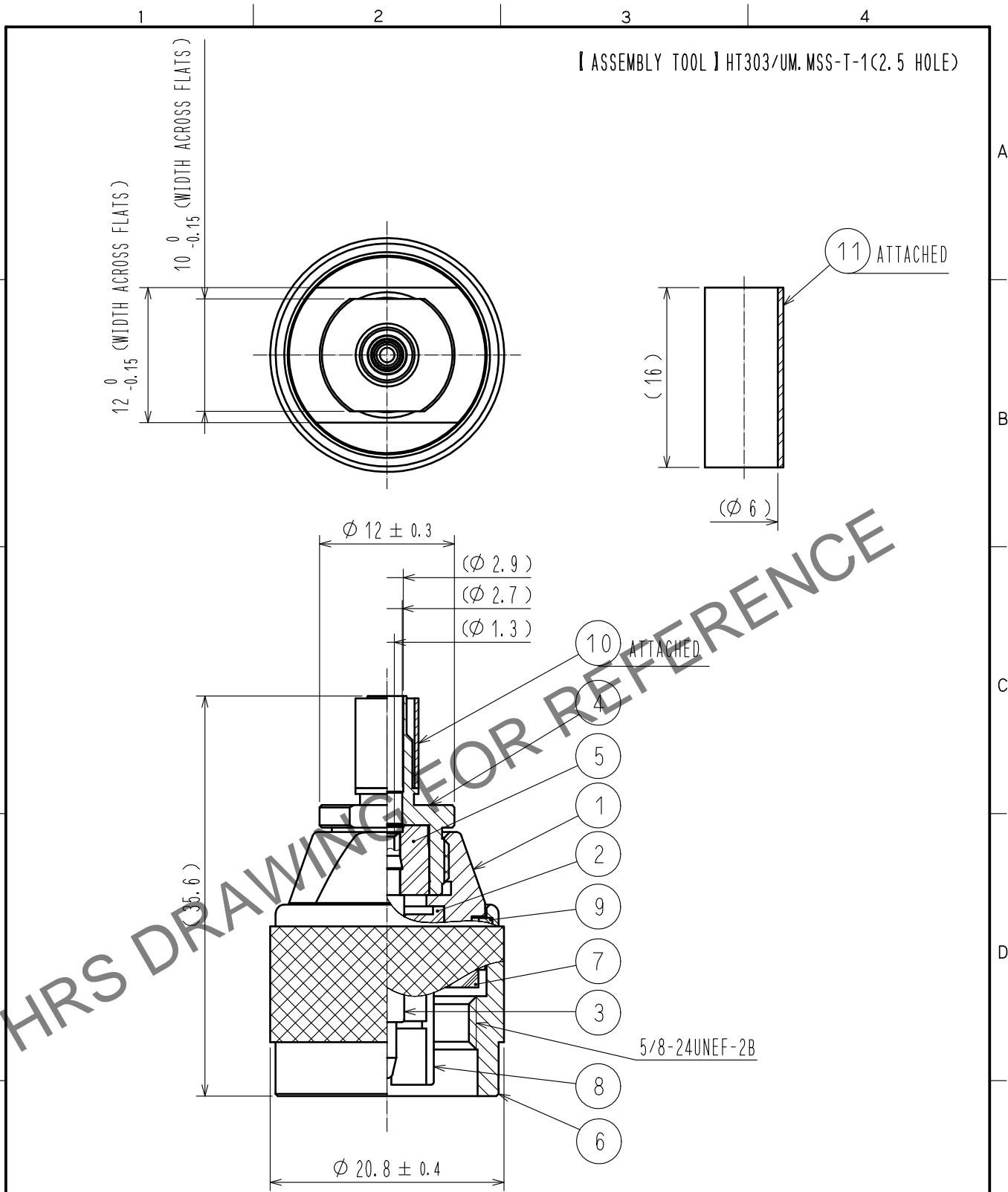


Oct.1.2024 Copyright 2024 HIROSE ELECTRIC CO., LTD. All Rights Reserved.  
 In case of consideration for using Automotive equipment / device which demand high reliability, kindly contact our sales window correspondents.



NO.	MATERIAL	FINISH .	REMARKS	NO.	MATERIAL	FINISH .	REMARKS
6	BRASS	NICKEL PLATING		11	POLYOLEFIN		HEAT SHRINK TUBING(BLACK)
5	PTFE			10	COPPER		NICKEL PLATING
4	BRASS	NICKEL PLATING		9	PHOSPHOR BRONZE		NICKEL PLATING
3	BRASS	GOLD PLATING		8	PHOSPHOR BRONZE		NICKEL PLATING
2	PTFE			7	SILICONE RUBBER		
1	BRASS	NICKEL PLATING					

UNITS	SYMBOLS	SCALE	COUNT	DESCRIPTION OF REVISIONS	DESIGNED	CHECKED	DATE
mm		2 : 1					

HIROSE ELECTRIC CO., LTD.	APPROVED : NK. NINOMIYA	20211005	DRAWING NO.	EDC-133546-40-00
	CHECKED : NK. NINOMIYA	20211005	PART NO.	N-P-2.5DQS(40)
	DESIGNED : MT. KANEKO	20211004	CODE NO.	CL0301-0276-2-40
	DRAWN : YK. MITSUISHI	20211004		