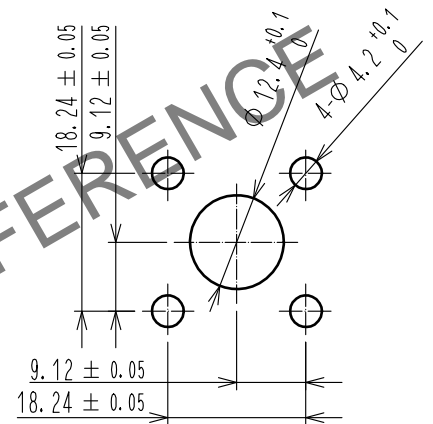
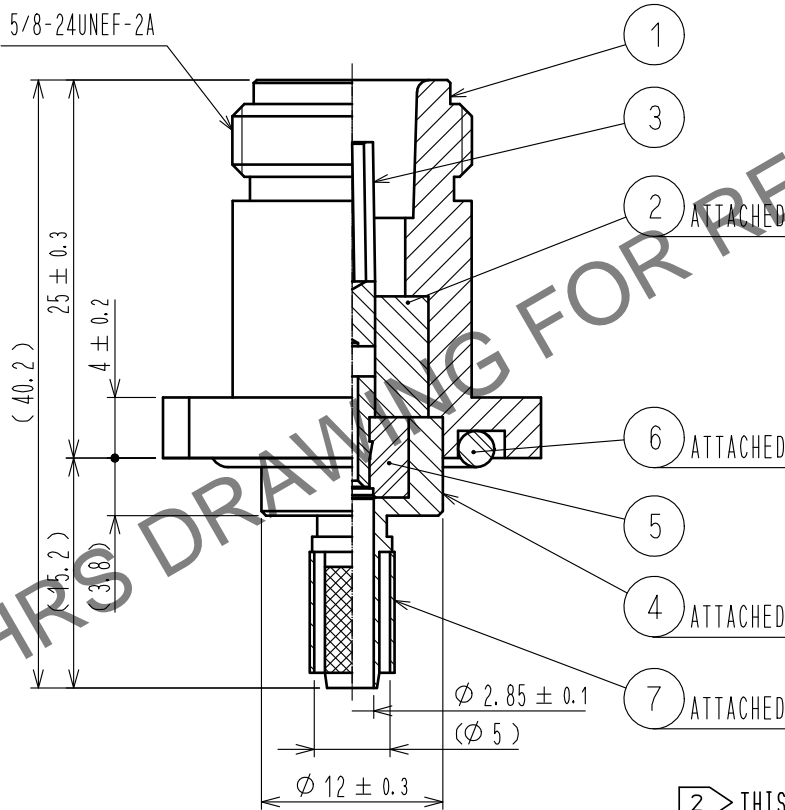
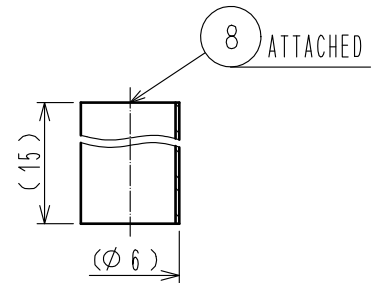
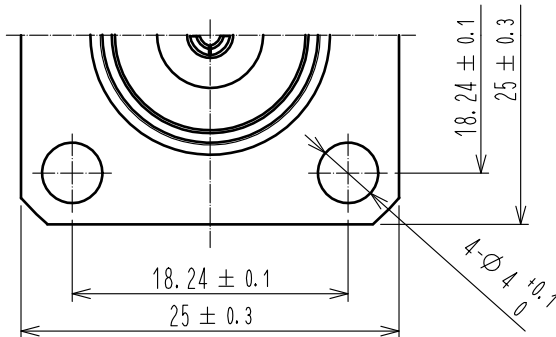


Sep.1.2024 Copyright 2024 HIROSE ELECTRIC CO., LTD. All Rights Reserved.  
In case of consideration for using Automotive equipment / device which demand high reliability, kindly contact our sales window correspondents.

ASSEMBLY TOOL : OUT. CONDUCTOR CRIMP : HT303/HRM-T-4(58A/U HOLE)  
 2 HOOD(PART 4) PRESS FITTING : N-PJ-T



RECOMMENDED MOUNTING HOLE SIZE. (REFERENCE) (1:1)

NOTES 1. PART NUMBERS 3, 4, 5 ARE ATTACHED AS ONE BLOCK.

2 THIS ASSEMBLY TOOL IS NOT SOLD.  
THIS PRODUCT CAN BE ORDERED ONLY AS TERMINATED CABLE ASSEMBLIES.

4	BRASS	NICKEL PLATING	8	POLYOLEFIN	HEAT SHRINK TUBE
3	BERYLLIUM COPPER	GOLD PLATING	7	COPPER	NICKEL PLATING
2	PTFE		6	SILICONE RUBBER	
1	BRASS	NICKEL PLATING	5	PTFE	
NO.	MATERIAL	FINISH . REMARKS	NO.	MATERIAL	FINISH . REMARKS

UNITS mm		SCALE 2 : 1	COUNT 	DESCRIPTION OF REVISIONS	DESIGNED	CHECKED	DATE
HIROSE ELECTRIC CO., LTD.		APPROVED : NK. NINOMIYA	20211005	DRAWING NO.	EDC-137336-40-00		
		CHECKED : NK. NINOMIYA	20211005	PART NO.	N-WPJ-2.5DW(40)		
		DESIGNED : MT. KANEKO	20211004	CODE NO.	CL0301-0298-5-40		
		DRAWN : YK. MITSUISHI	20211004				