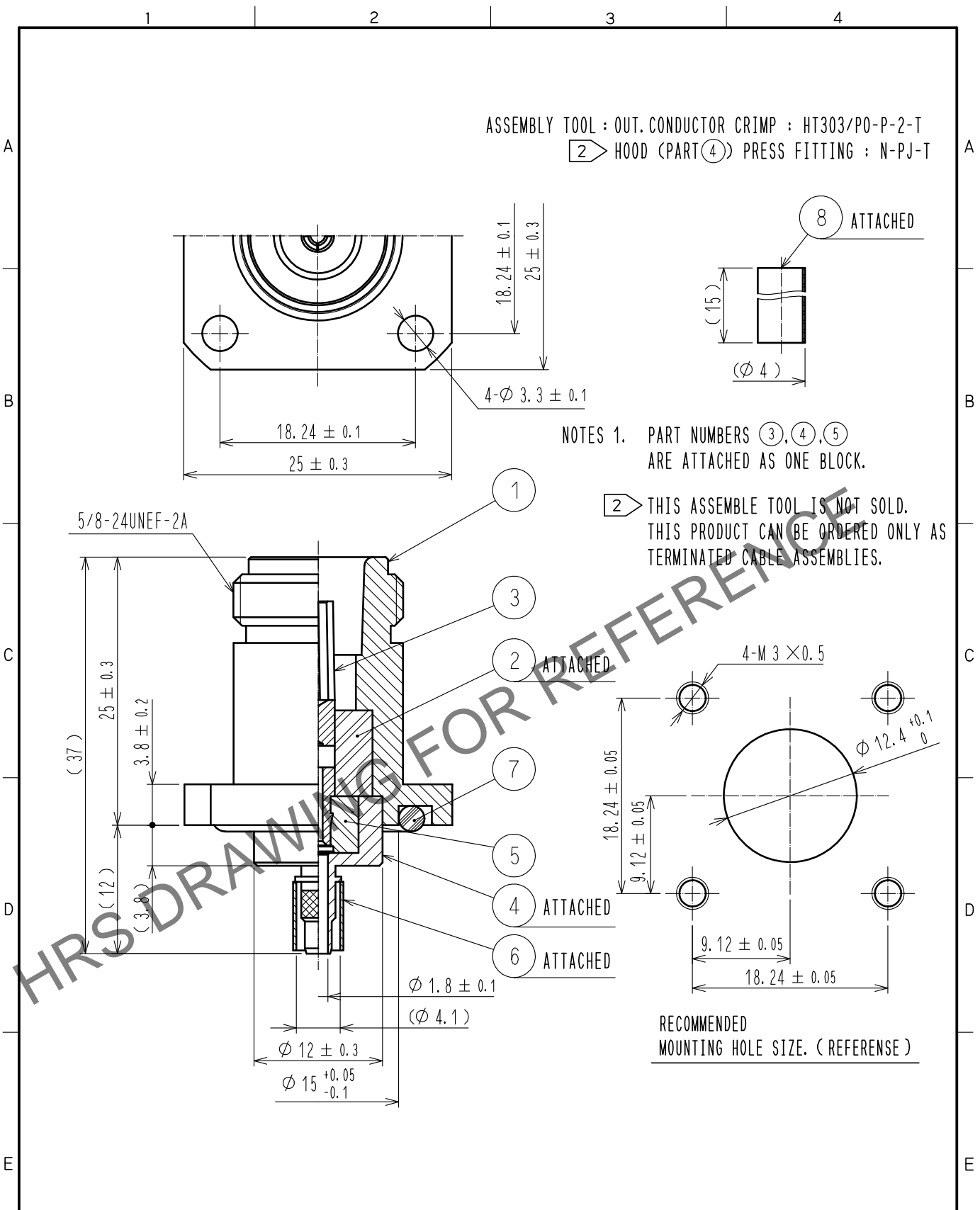


Sep. 1. 2024 Copyright 2024 HIROSE ELECTRIC CO., LTD. All Rights Reserved.  
In case of consideration for using Automotive equipment / device which demand high reliability, kindly contact our sales window correspondents.



4	BRASS	NICKEL PLATING	8	POLYOLEFIN	HEAT SHRINK TUBE
3	BERYLLIUM COPPER	GOLD PLATING	7	SILICONE RUBBER	JIS B 2401 P15<RED>
2	PTFE		6	COPPER	NICKEL PLATING
1	BRASS	NICKEL PLATING	5	PTFE	
NO.	MATERIAL	FINISH . REMARKS	NO.	MATERIAL	FINISH . REMARKS

UNITS mm		SCALE 2 : 1	COUNT 	DESCRIPTION OF REVISIONS	DESIGNED	CHECKED	DATE
<b>HRS</b> HIROSE ELECTRIC CO., LTD.		APPROVED : NK. NINOMIYA	20211005	DRAWING NO.	EDC-139649-40-00		
		CHECKED : NK. NINOMIYA	20211005	PART NO.	N-WPJ-1.5DW-1<40>		
		DESIGNED : MT. KANEKO	20211004	CODE NO.	CL0301-0306-1-40		1/1
		DRAWN : YK. MITSUISHI	20211004				