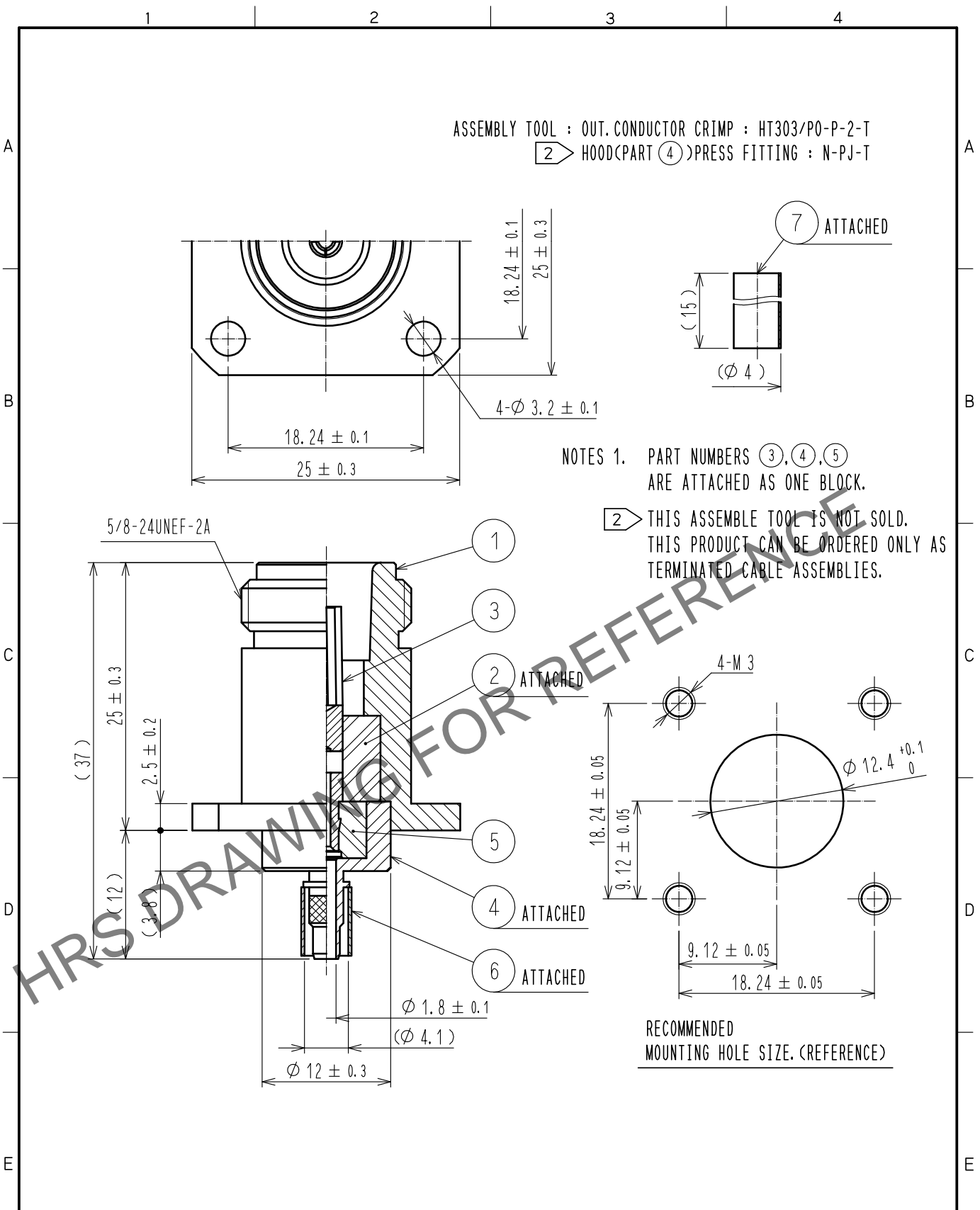


Aug. 1. 2024 Copyright 2024 HIROSE ELECTRIC CO., LTD. All Rights Reserved.
In case of consideration for using Automotive equipment / device which demand high reliability, kindly contact our sales window correspondents.



4	BRASS	NICKEL PLATING		7	POLYOLEFIN	HEAT SHRINK TUBE
3	BERYLLIUM COPPER	GOLD PLATING		6	COPPER	NICKEL PLATING
2	PTFE			5	PTFE	
1	BRASS	NICKEL PLATING				
NO.	MATERIAL	FINISH . REMARKS		NO.	MATERIAL	FINISH . REMARKS

UNITS mm		SCALE 2 : 1	COUNT 	DESCRIPTION OF REVISIONS	DESIGNED	CHECKED	DATE
HRS HIROSE ELECTRIC CO., LTD.		APPROVED : NK. NINOMIYA 20211005		DRAWING NO. EDC-305206-40-00			
		CHECKED : NK. NINOMIYA 20211005		PART NO. N-PJ-1.5DW-1(40)			
		DESIGNED : MT. KANEKO 20211004		CODE NO. CL0301-0312-4-40			
		DRAWN : YK. MITSUISHI 20211004		1/1			