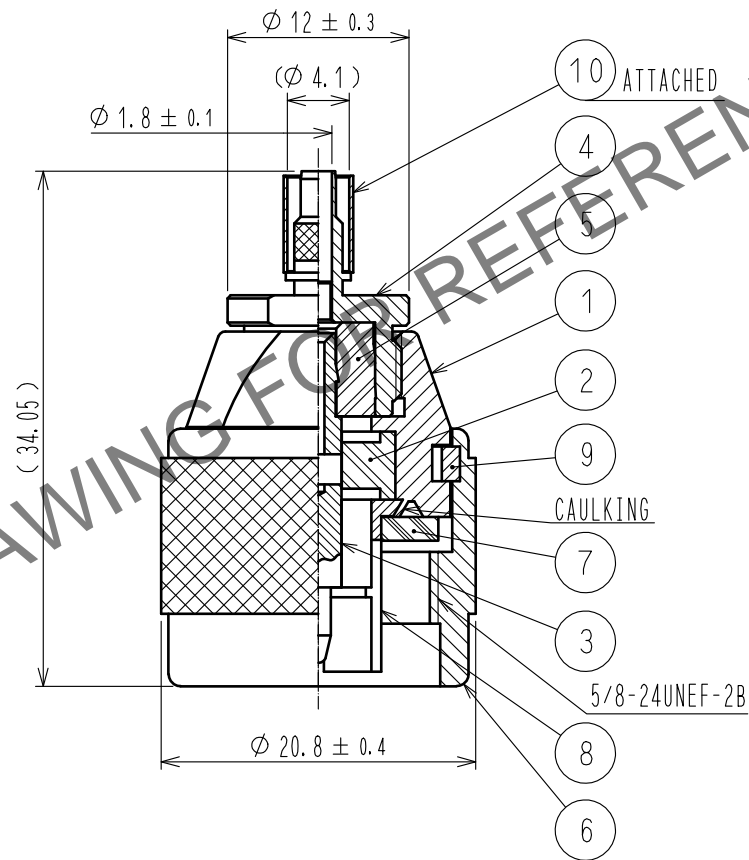
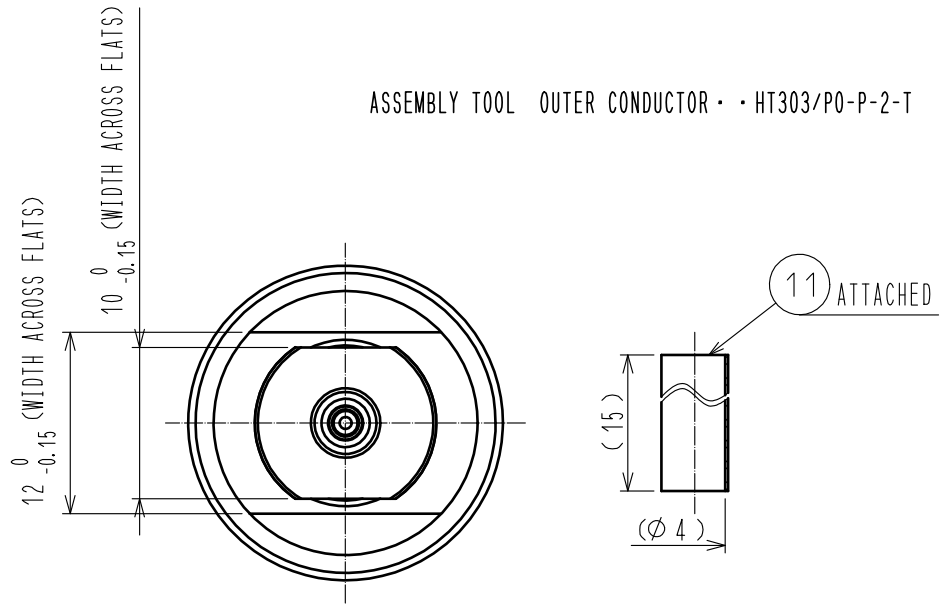


Sep. 1. 2024 Copyright 2024 HIROSE ELECTRIC CO., LTD. All Rights Reserved.
In case of consideration for using Automotive equipment / device which demand high reliability, kindly contact our sales window correspondents.

ASSEMBLY TOOL OUTER CONDUCTOR · HT303/P0-P-2-T



HRS DRAWING FOR REFERENCE

6	BRASS	NICKEL PLATING					
5	PTFE		11	POLYOLEFIN	HEAT SHRINK TUBE(BLACK)		
4	BRASS	NICKEL PLATING	10	COPPER	NICKEL PLATING		
3	BRASS	GOLD PLATING	9	PHOSPHOR BRONZE	NICKEL PLATING		
2	PTFE		8	PHOSPHOR BRONZE	NICKEL PLATING		
1	BRASS	NICKEL PLATING	7	SILICONE RUBBER			
NO.	MATERIAL	FINISH .	REMARKS	NO.	MATERIAL	FINISH .	REMARKS

UNITS mm		SCALE 2 : 1	COUNT 	DESCRIPTION OF REVISIONS	DESIGNED	CHECKED	DATE
HRS HIROSE ELECTRIC CO., LTD.		APPROVED : NK. NINOMIYA 20211008	DRAWING NO. EDC-311279-00-00				
		CHECKED : NK. NINOMIYA 20211008	PART NO. N-P-1.5DW				
		DESIGNED : MT. KANEKO 20211007	CODE NO. CL0301-0320-2-00				
		DRAWN : YK. MITSUISHI 20211005		1/1			