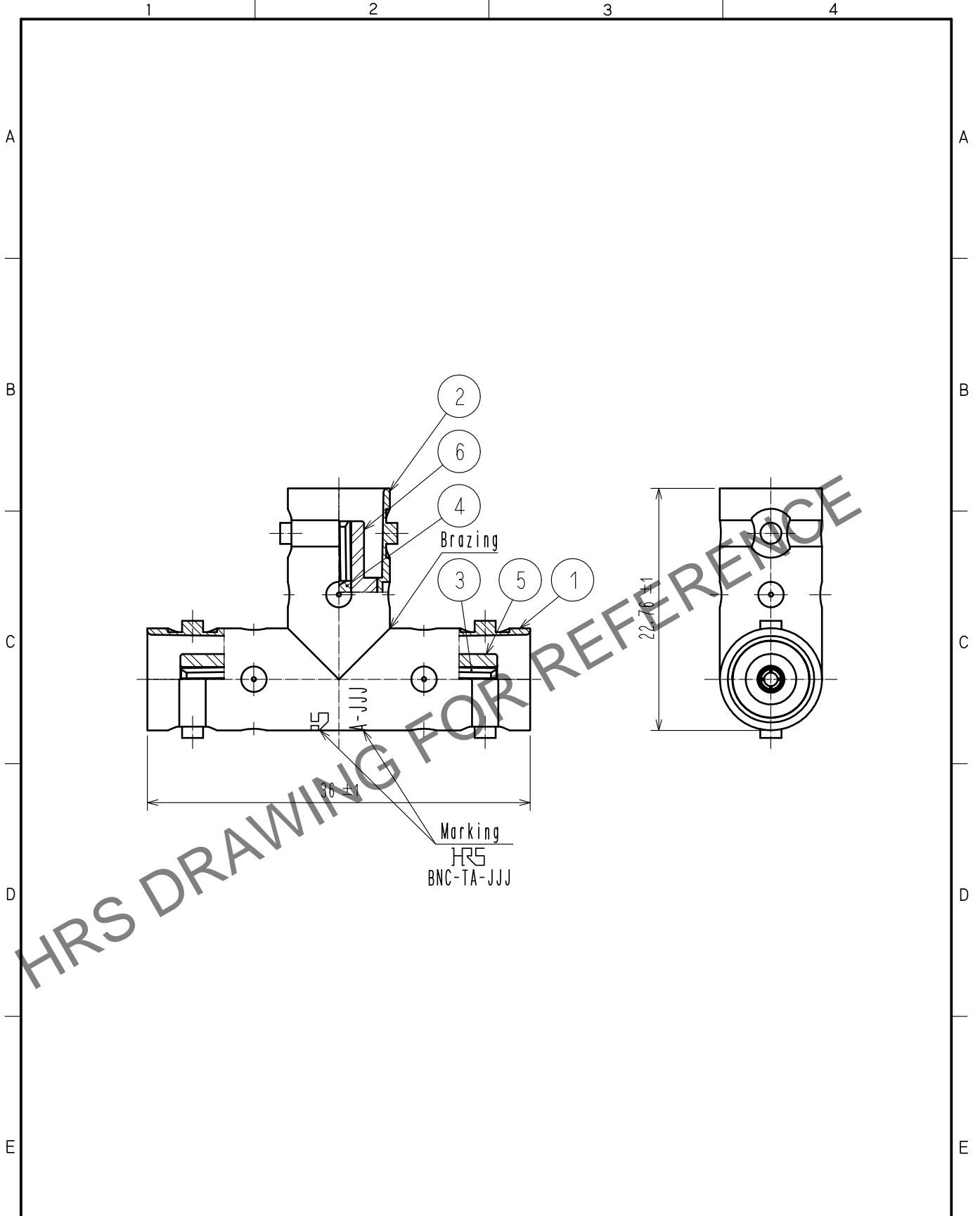


Jun.1.2024 Copyright 2024 HIROSE ELECTRIC CO., LTD. All Rights Reserved.  
 In case of consideration for using Automotive equipment / device which demand high reliability, kindly contact our sales window correspondents.



3	BERYLLIUM COPPER	GOLD PLATING	6	PTFE			
2	BRASS	NICKEL PLATING	5	PTFE			
1	BRASS	NICKEL PLATING	4	BERYLLIUM COPPER	GOLD PLATING		
NO.	MATERIAL	FINISH .	REMARKS	NO.	MATERIAL	FINISH .	REMARKS

UNITS mm		SCALE 2 : 1	COUNT 	DESCRIPTION OF REVISIONS	DESIGNED	CHECKED	DATE
HIROSE ELECTRIC CO., LTD.		APPROVED : NK. NINOMIYA 20211012	DRAWING NO.	EDC-000663-41-00			
		CHECKED : NK. NINOMIYA 20211012	PART NO.	BNC-TA-JJJ(41)			
		DESIGNED : MT. KANEKO 20211012	CODE NO.	CL0302-0024-6-41			
		DRAWN : NK. OOSHIMA 20211012			1/1		