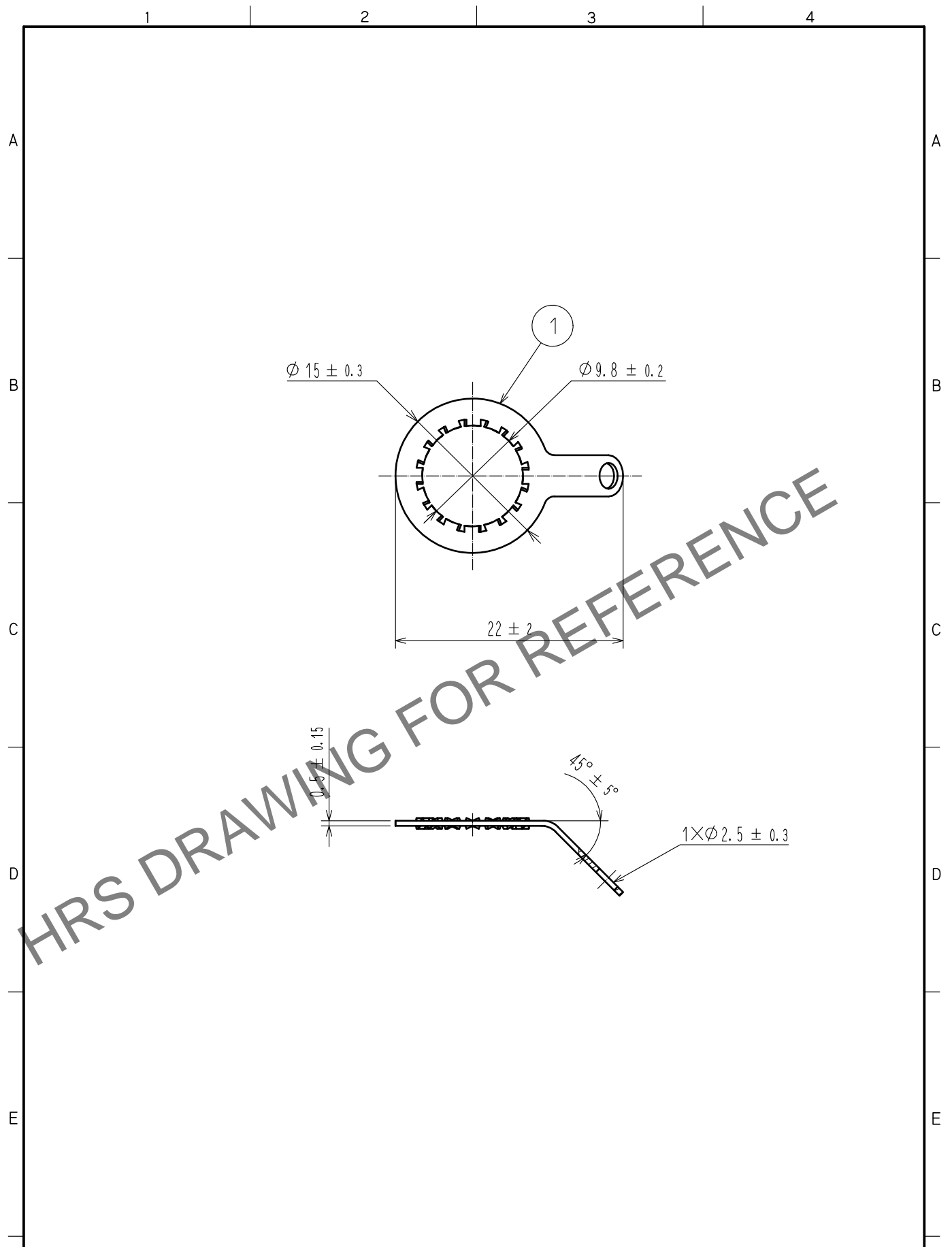


Jun.1.2024 Copyright 2024 HIROSE ELECTRIC CO., LTD. All Rights Reserved.
 In case of consideration for using Automotive equipment / device which demand high reliability, kindly contact our sales window correspondents.



1	PHOSPHOR BRONZE	NICKEL PLATING						
NO.	MATERIAL	FINISH .	REMARKS	NO.	MATERIAL	FINISH .	REMARKS	
UNITS mm		SCALE 2 : 1	COUNT 	DESCRIPTION OF REVISIONS		DESIGNED	CHECKED	DATE
HIROSE ELECTRIC CO., LTD.	APPROVED	: NK. NINOMIYA	20211018	DRAWING NO.	EDC-003481-01-00			
	CHECKED	: NK. NINOMIYA	20211018	PART NO.	BNC-EL(01)			
	DESIGNED	: MT. KANEKO	20211018	CODE NO.	CL0302-0079-8-01			
	DRAWN	: NK. OOSHIMA	20211015		1/1			