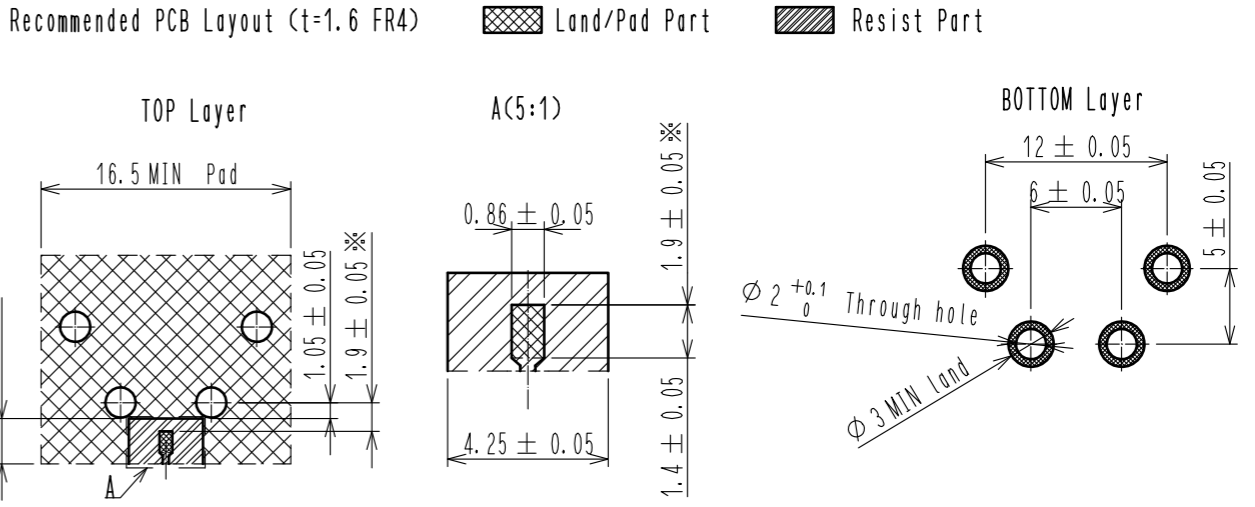
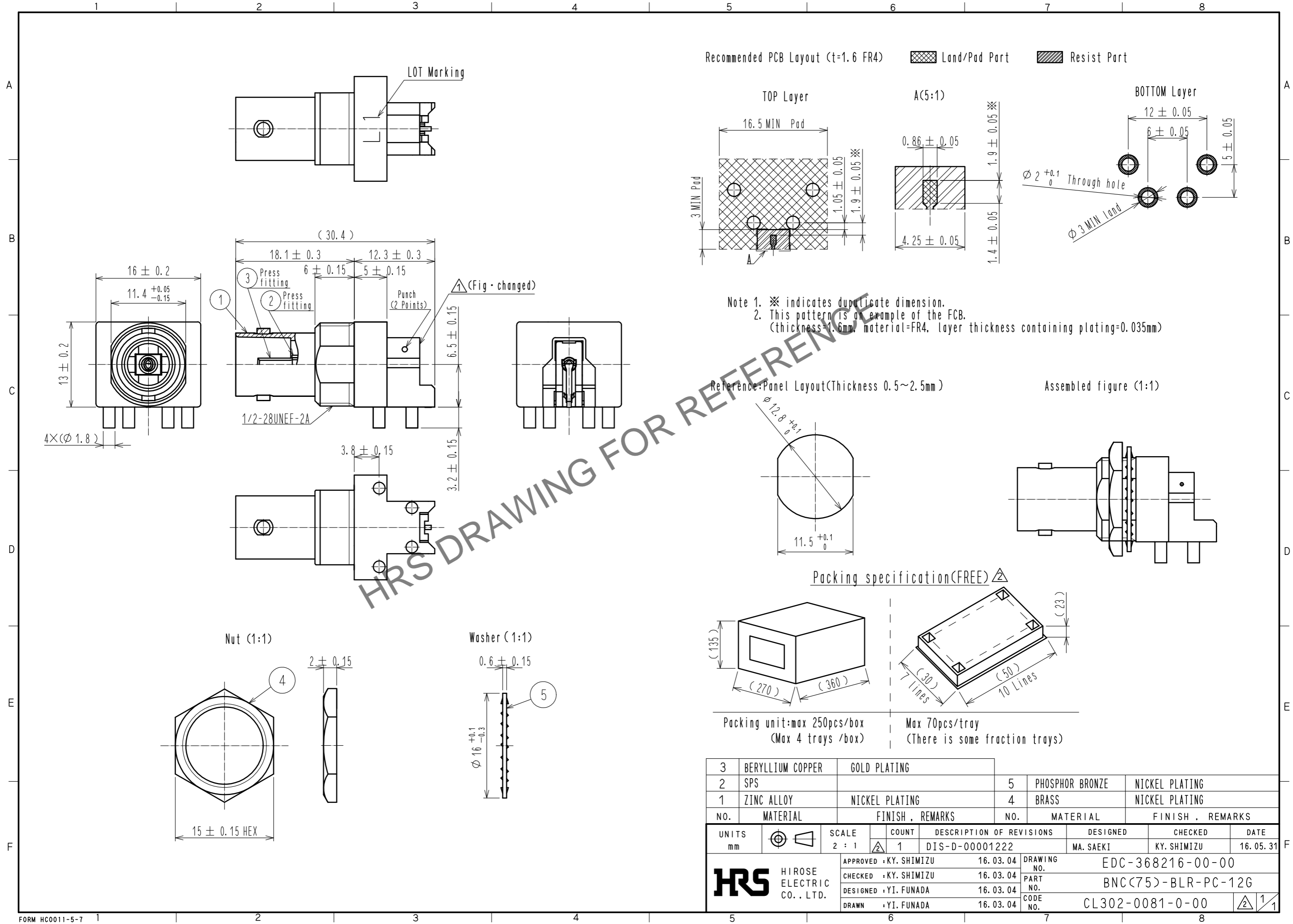
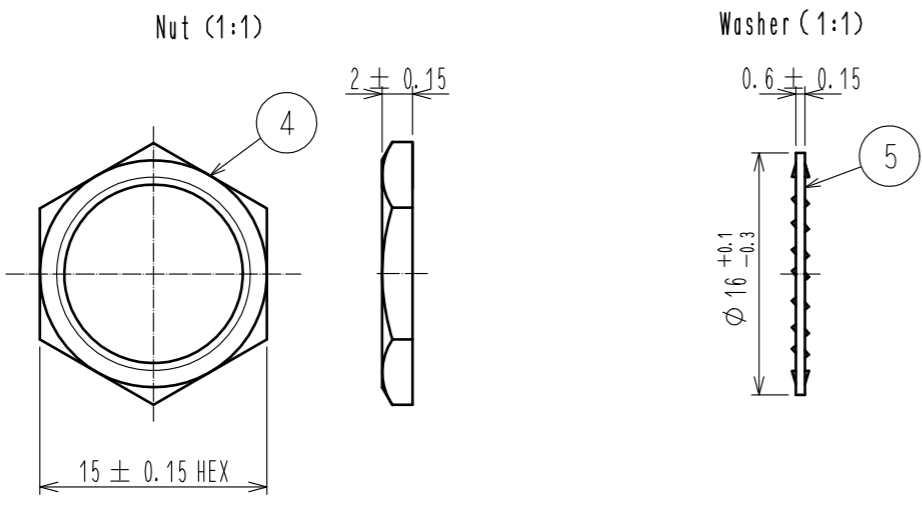
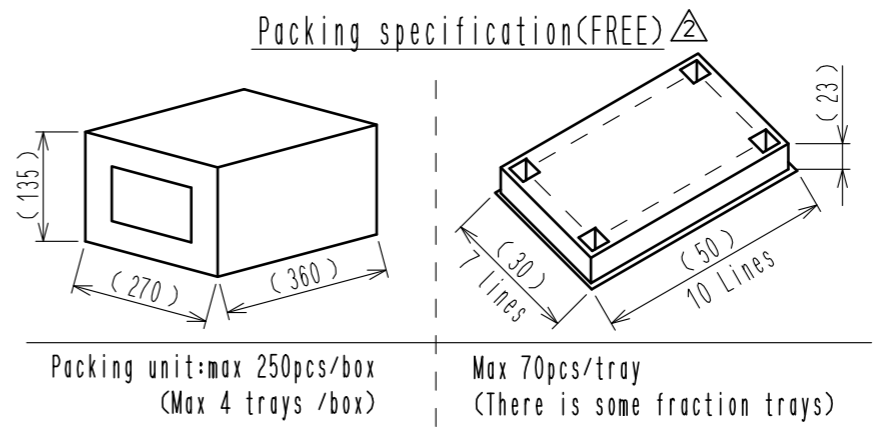
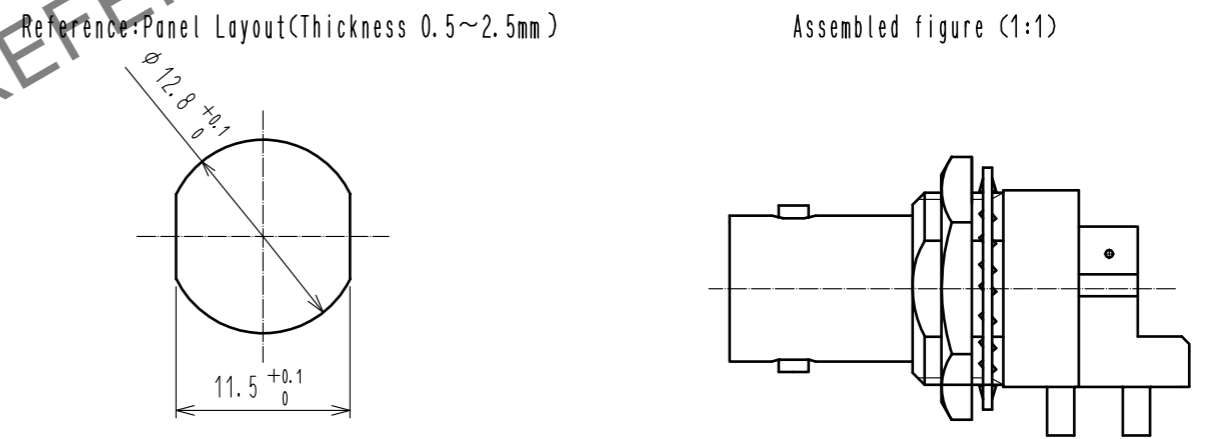


Jun.1.2024 Copyright 2024 HIROSE ELECTRIC CO., LTD. All Rights Reserved.  
 In case of consideration for using Automotive equipment / device which demand high reliability, kindly contact our sales window correspondents.



Note 1. ※ indicates duplicate dimension.  
 2. This pattern is an example of the FCB.  
 (thickness=1.6mm, material=FR4, layer thickness containing plating=0.035mm)



3	BERYLLIUM COPPER	GOLD PLATING	5	PHOSPHOR BRONZE	NICKEL PLATING
2	SPS		4	BRASS	NICKEL PLATING
1	ZINC ALLOY	NICKEL PLATING			
NO.	MATERIAL	FINISH, REMARKS	NO.	MATERIAL	FINISH, REMARKS
UNITS	mm	SCALE	2 : 1	COUNT	1
		DESCRIPTION OF REVISIONS	DESIGNED	MA. SAEKI	CHECKED
		DIS-D-00001222	DATE	16.05.31	
APPROVED : KY. SHIMIZU		16.03.04	DRAWING NO. EDC-368216-00-00		
CHECKED : KY. SHIMIZU		16.03.04	PART NO. BNC(75)-BLR-PC-12G		
DESIGNED : YI. FUNADA		16.03.04	CODE NO. CL302-0081-0-00		
DRAWN : YI. FUNADA		16.03.04	1/1		