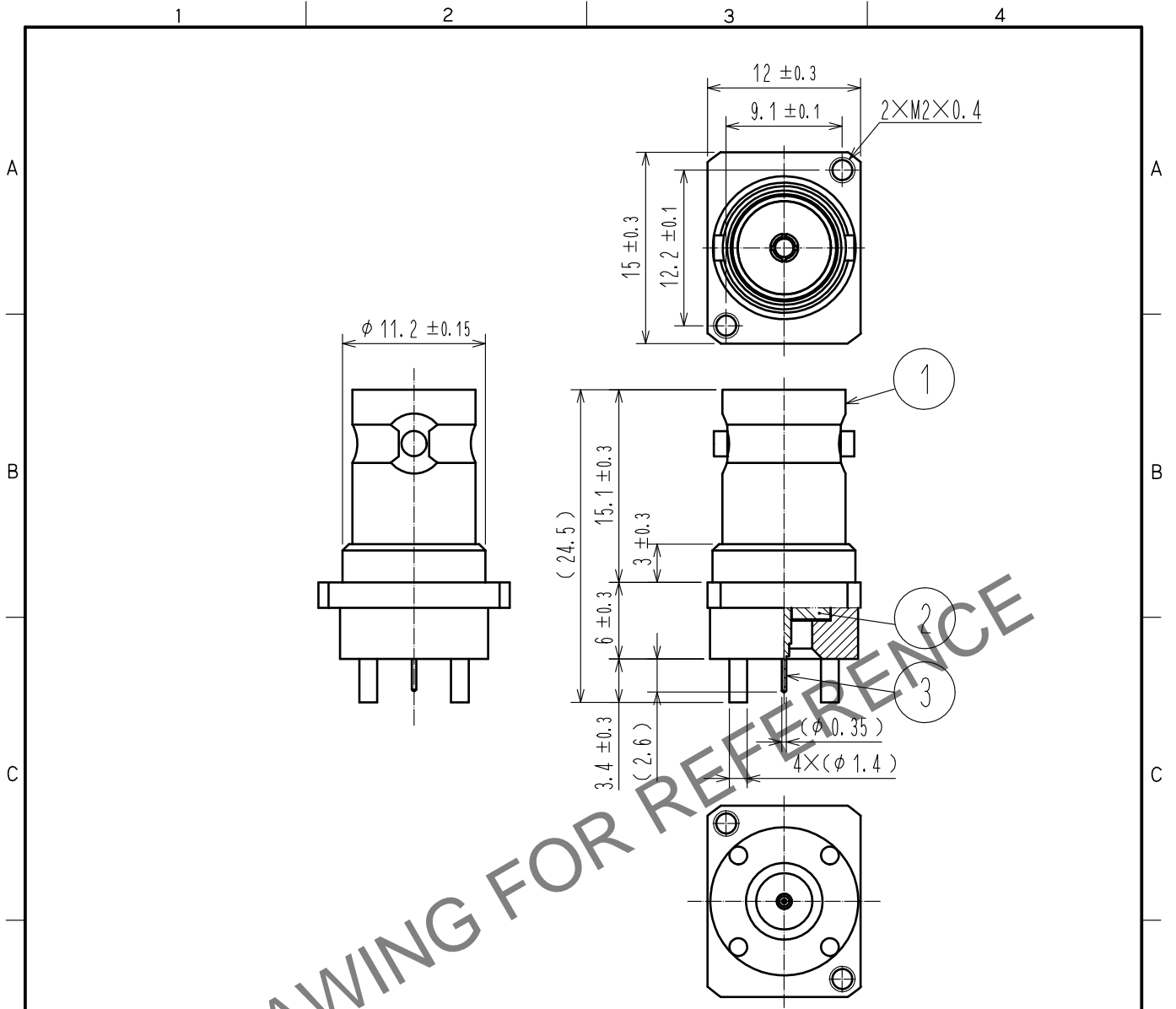
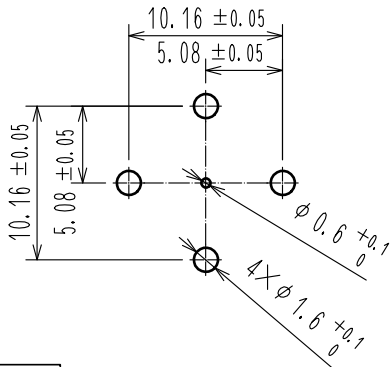


May.1.2024 Copyright 2024 HIROSE ELECTRIC CO., LTD. All Rights Reserved.
 In case of consideration for using Automotive equipment / device which demand high reliability, kindly contact our sales window correspondents.



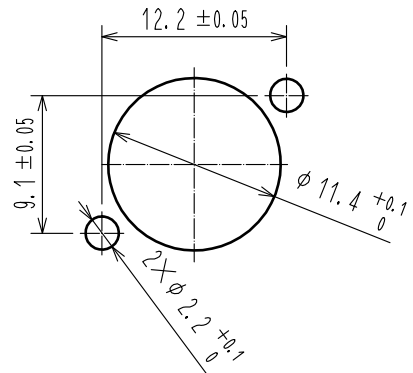
HRS DRAWING FOR REFERENCE

PCB layout(recommendation)



Panel layout (reference)

Thickness : 0.5~2mm Screw:M2×0.4



RoHS COMPLIANT

2	PTFE			3	PHOSPHOR BRONZE	GOLD PLATING		
1	BRASS	NICKEL PLATING						
NO.	MATERIAL	FINISH	REMARKS	NO.	MATERIAL	FINISH	REMARKS	
UNITS mm		SCALE 2 : 1	COUNT 	DESCRIPTION OF REVISIONS		DESIGNED	CHECKED	DATE
HIROSE ELECTRIC CO., LTD.	APPROVED	:TO. KATAYAMA	17.09.01	DRAWING NO.	EDC-376949-00-00			
	CHECKED	:TO. KATAYAMA	17.09.01	PART NO.	BNC(75)-PR(6)-PC-12G			
	DESIGNED	:MA. SAEKI	17.09.01	CODE NO.	CL302-0086-0-00			
	DRAWN	:MA. SAEKI	17.09.01		1/1			