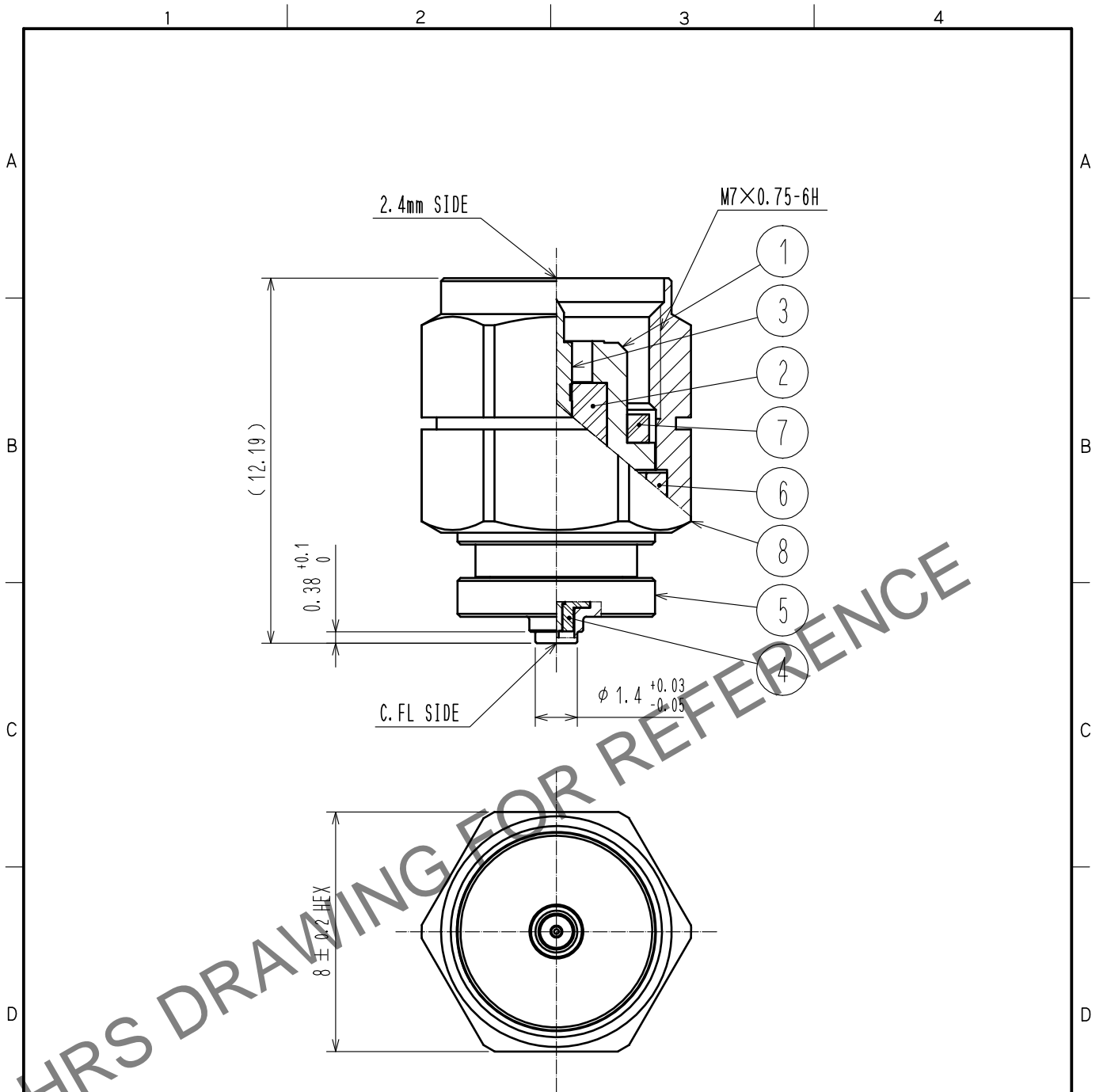


May.1.2024 Copyright 2024 HIROSE ELECTRIC CO., LTD. All Rights Reserved.
 In case of consideration for using Automotive equipment / device which demand high reliability, kindly contact our sales window correspondents.



NOTE 1 2.4mm male to C.FL Receptacle Adapter.
 Since this adapter has no lock structure on the mating part of the C.FL side,
 please use only for electrical measurement.

4	PTFE		8	STAINLESS STEEL	PASSIVATE			
3	PHOSPHOR BRONZE	GOLD PLATING	7	SILICONE RUBBER				
2	PTFE		6	BERYLLIUM COPPER	NICKEL PLATING			
1	STAINLESS STEEL	PASSIVATE	5	STAINLESS STEEL	NICKEL PLATING			
NO.	MATERIAL	FINISH .	REMARKS	NO.	MATERIAL	FINISH .	REMARKS	
UNITS mm		SCALE 5 : 1	COUNT 	DESCRIPTION OF REVISIONS		DESIGNED	CHECKED	DATE
HIROSE ELECTRIC CO., LTD.			APPROVED : TS. NOBE	20190625	DRAWING NO.	EDC-379941-00-00		
			CHECKED : MH. TSUCHIDA	20190625	PART NO.	C. FLJ-H2. 4P		
			DESIGNED : TK. SAWAGUCHI	20190624	CODE NO.	CL311-0017-0-00		
			DRAWN : TK. SAWAGUCHI	20190624		1/1		