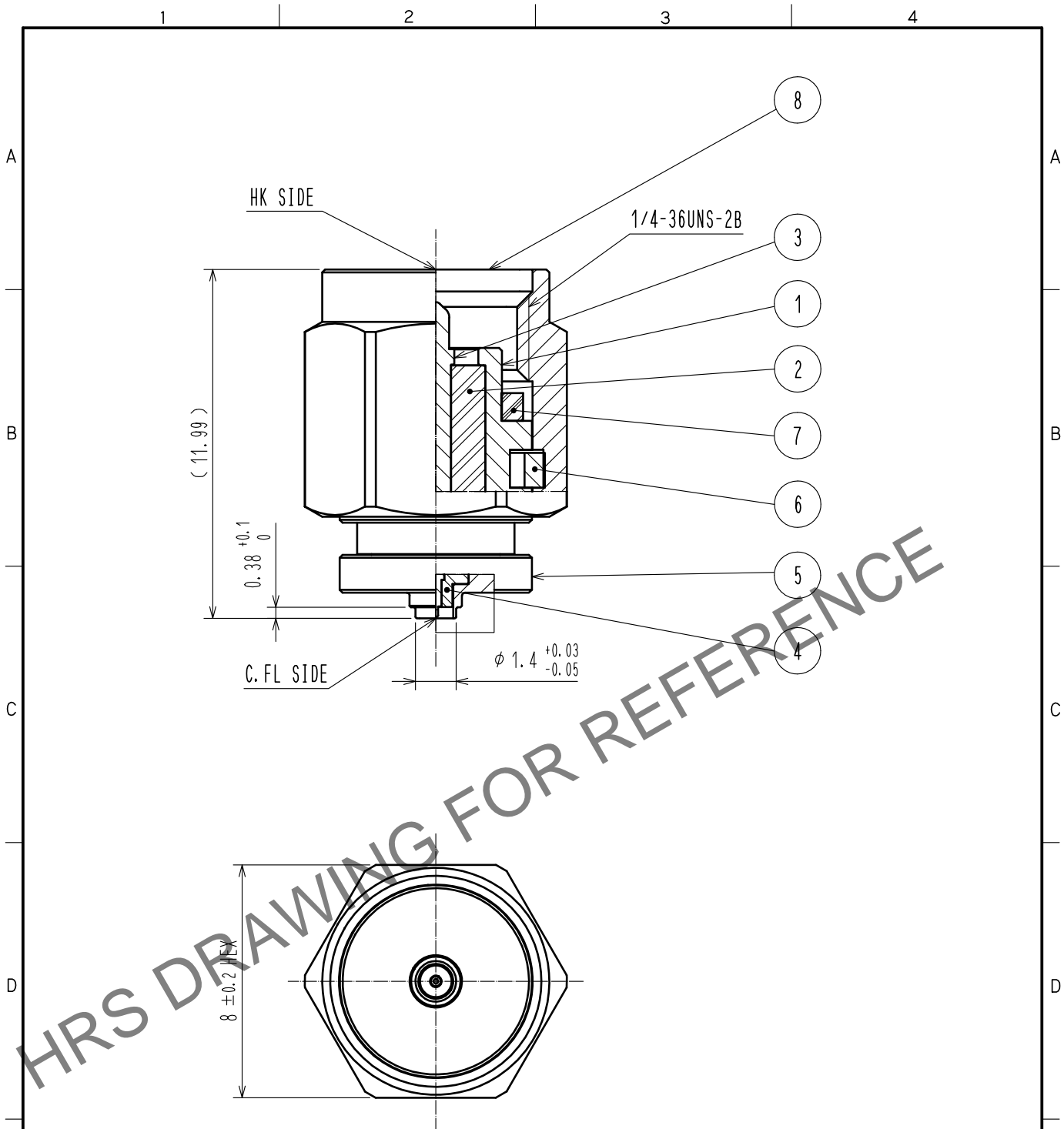


May.1.2024 Copyright 2024 HIROSE ELECTRIC CO., LTD. All Rights Reserved.  
 In case of consideration for using Automotive equipment / device which demand high reliability, kindly contact our sales window correspondents.



NOTE: 2.92mm male to C. FL Receptacle Adapter.  
 Since this adapter has no lock structure on the mating part of the C. FL side,  
 please use only for electrical measurement.

RoHS COMPLIANT

NO.	MATERIAL	FINISH . REMARKS	NO.	MATERIAL	FINISH . REMARKS
4	PTFE	_____	8	STAINLESS STEEL	PASSIVATE
3	PHOSPHOR BRONZE	GOLD PLATING	7	SILICONE RUBBER	(RED)
2	PTFE	_____	6	BERYLLIUM COPPER	NICKEL PLATING
1	STAINLESS STEEL	PASSIVATE	5	STAINLESS STEEL	NICKEL PLATING

UNITS mm		SCALE 5 : 1	COUNT 	DESCRIPTION OF REVISIONS	DESIGNED	CHECKED	DATE
HIROSE ELECTRIC CO., LTD.				APPROVED : KH. IKEDA 18.03.07	DRAWING NO. EDC-381042-00-00		
				CHECKED : MH. TSUCHIDA 18.03.06			
				DESIGNED : YJ. HAGA 18.03.06	CODE NO. CL311-0023-0-00		
				DRAWN : YJ. HAGA 18.03.06			