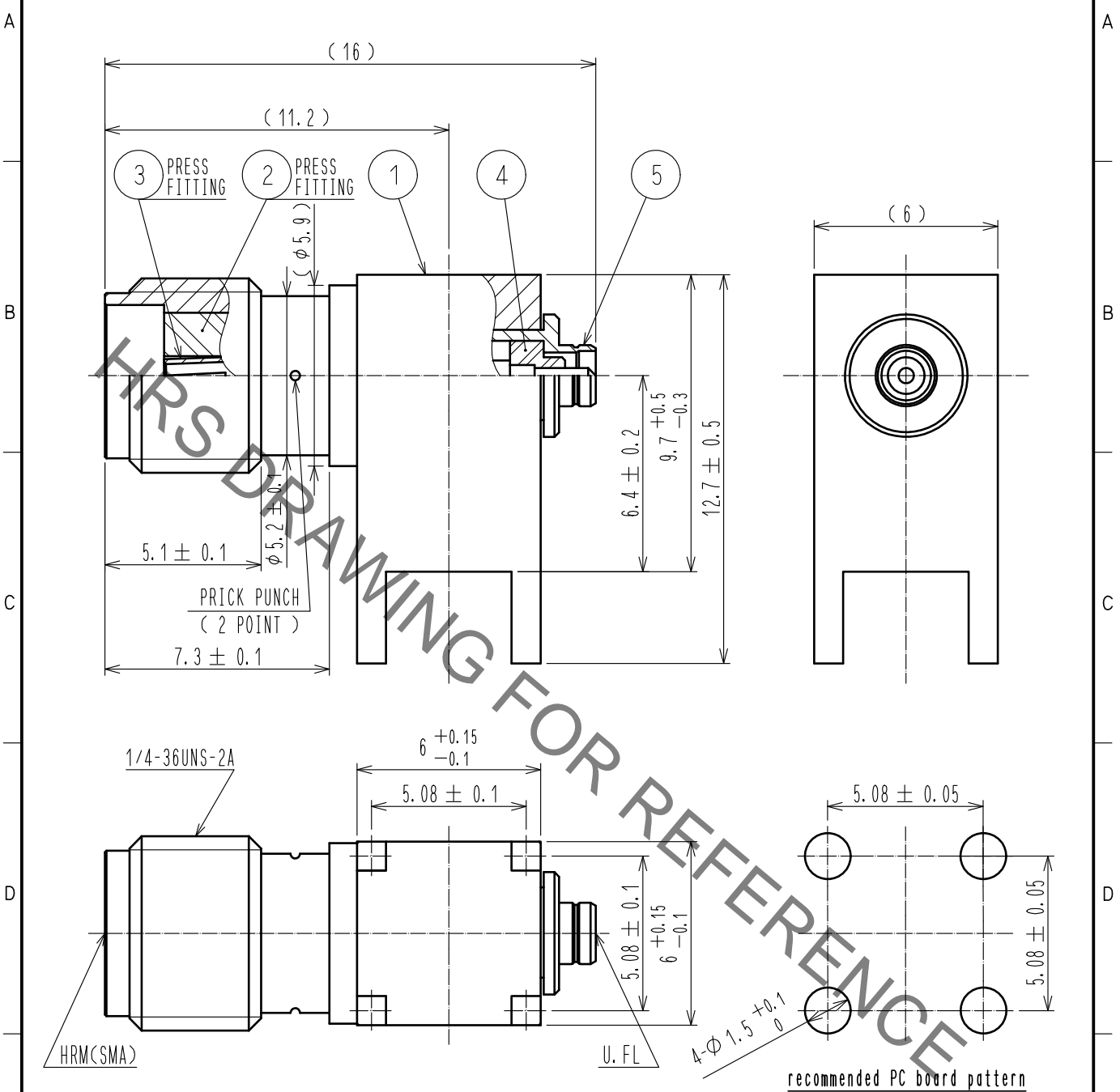


Aug. 1. 2021 Copyright 2021 HIROSE ELECTRIC CO., LTD. All Rights Reserved.
 In case of consideration for using Automotive equipment / device which demand high reliability, kindly contact our sales window correspondents.

△ Redrawing



3	BERYLLIUM COPPER	GOLD PLATING			
2	PTFE		5	BRASS	NICKEL PLATING
1	BRASS	NICKEL PLATING	4	PTFE	
NO.	MATERIAL	FINISH,REMARKS	NO.	MATERIAL	FINISH,REMARKS

UNITS mm		SCALE 5 : 1	COUNT 1	DESCRIPTION OF REVISIONS DIS-D-00004667	DESIGNED MK. INOUE	CHECKED TO. KATAYAMA	DATE 20200123
APPROVED : MH. YAMANE 20091216				DRAWING NO. EDC-310814-00-00			
CHECKED : TS. NOBE 20091216				PART NO. HRMJ-U. FLJ-PC			
DESIGNED : HS. TAKEUCHI 20091216				CODE NO. CL311-0411-3-00			
DRAWN : KS. TAKAHASHI 20091216				△ 1/1			