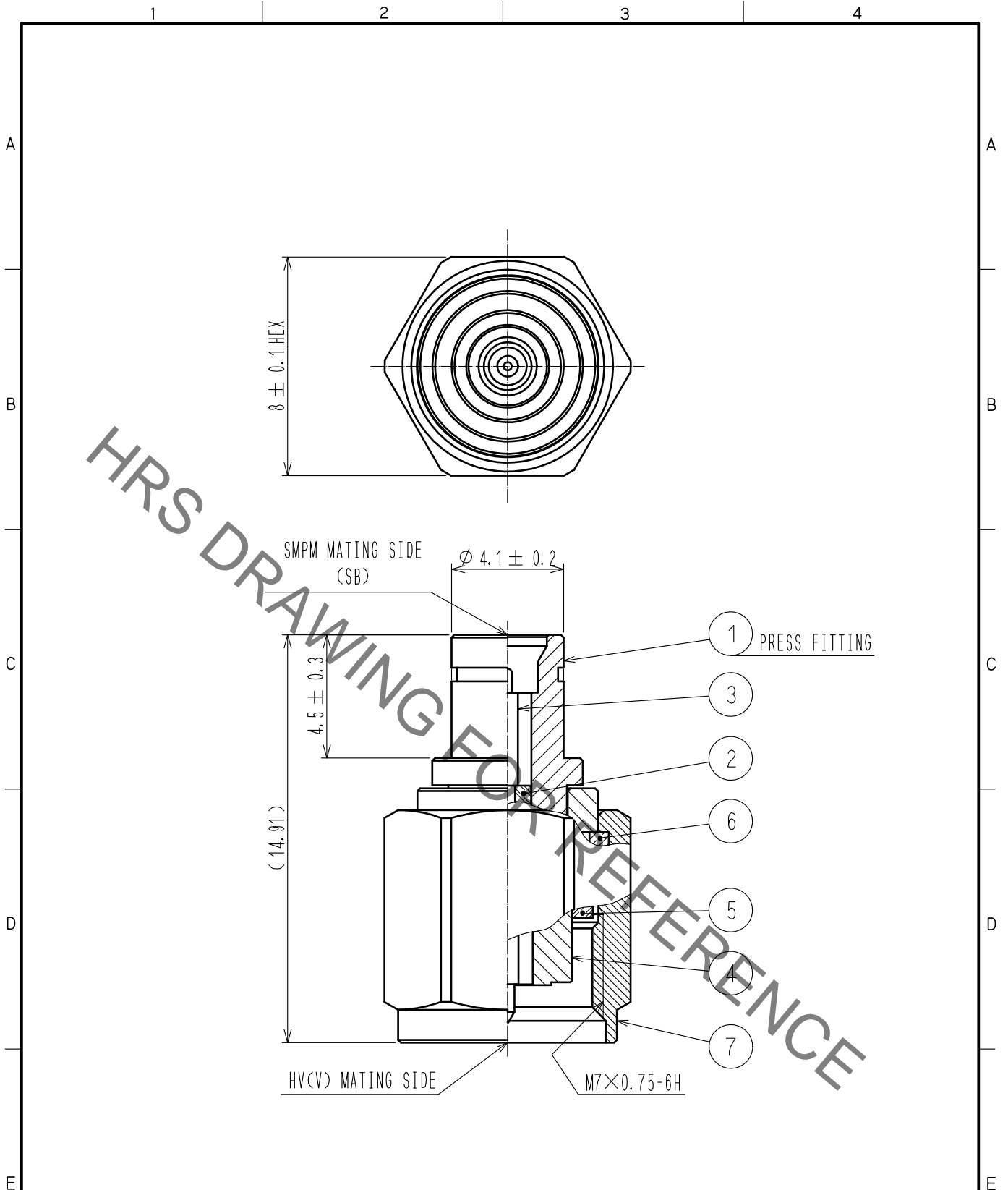


May.1.2021 Copyright 2021 HIROSE ELECTRIC CO., LTD. All Rights Reserved.
 In case of consideration for using Automotive equipment / device which demand high reliability, kindly contact our sales window correspondents.



RoHS COMPLIANT

4	STAINLESS STEEL	GOLD PLATING		7	STAINLESS STEEL	PASSIVATE	
3	PHOSPHOR BRONZE	GOLD PLATING		6	BERYLLIUM COPPER	NICKEL PLATING	
2	PTFE			5	SILICONE RUBBER		
1	STAINLESS STEEL	GOLD PLATING					
NO.	MATERIAL	FINISH	REMARKS	NO.	MATERIAL	FINISH	REMARKS

UNITS mm		SCALE 5 : 1	COUNT 	DESCRIPTION OF REVISIONS	DESIGNED	CHECKED	DATE
-------------	--	----------------	-----------	--------------------------	----------	---------	------

HIROSE ELECTRIC CO., LTD.	APPROVED : KY. SHIMIZU	16. 02. 09	DRAWING NO.	EDC-313092-00-00
	CHECKED : TO. KATAYAMA	16. 02. 09	PART NO.	SMPMP(SB)-HVP
	DESIGNED : YI. FUNADA	16. 02. 09	CODE NO.	CL311-0420-4-00
	DRAWN : YI. FUNADA	16. 02. 09		