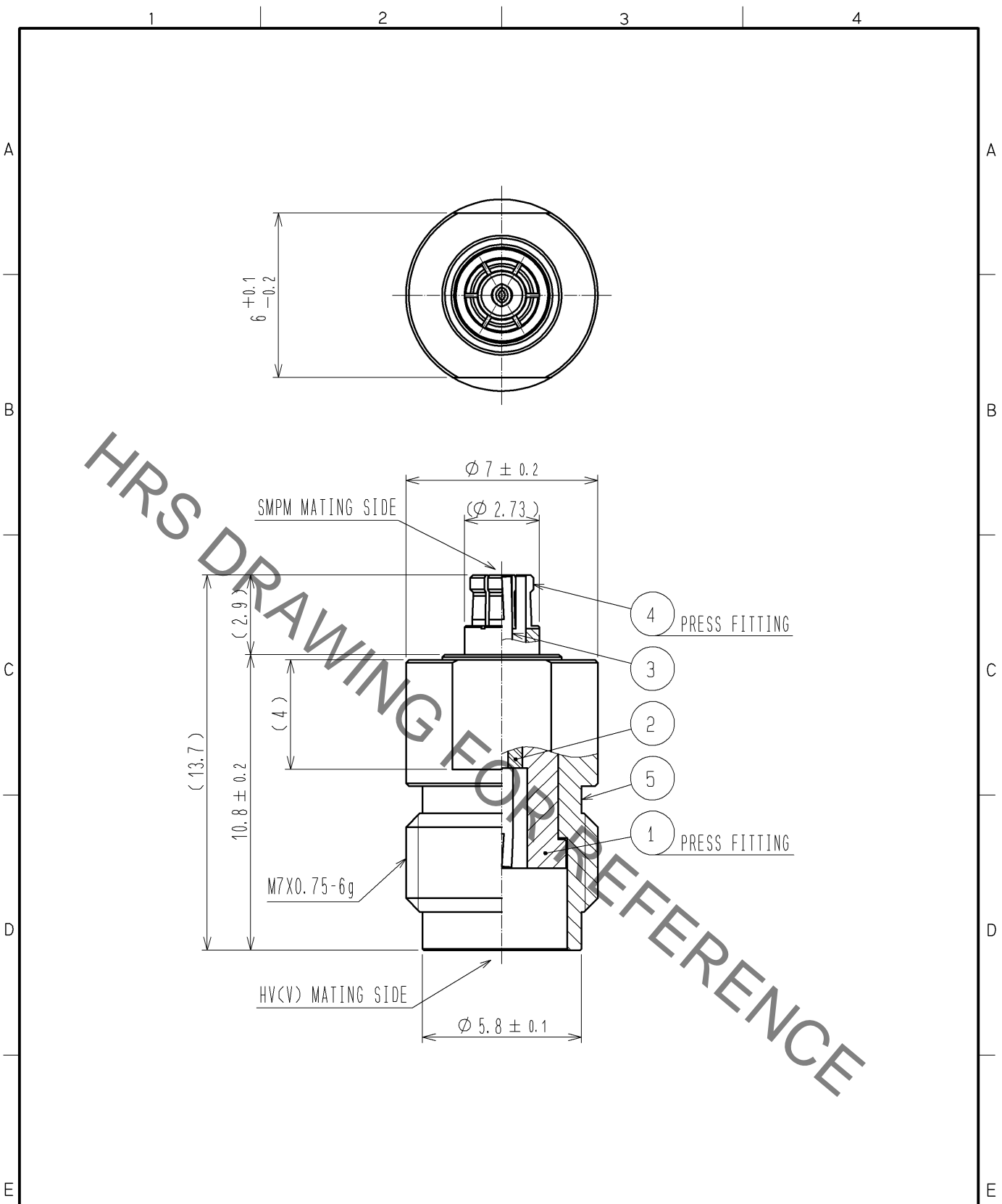


May.1.2021 Copyright 2021 HIROSE ELECTRIC CO., LTD. All Rights Reserved.
In case of consideration for using Automotive equipment / device which demand high reliability, kindly contact our sales window correspondents.



HRS DRAWING FOR REFERENCE

RoHS COMPLIANT

3	BELYLLIUM COPPER	GOLD PLATING							
2	PTFE		5	STAINLESS STEEL	PASSIVATE				
1	STAINLESS STEEL	GOLD PLATING	4	BERYLLIUM COPPER	GOLD PLATING				
NO.	MATERIAL	FINISH .	REMARKS	NO.	MATERIAL	FINISH .	REMARKS		

UNITS mm			SCALE 5 : 1	COUNT 	DESCRIPTION OF REVISIONS	DESIGNED	CHECKED	DATE
HIROSE ELECTRIC CO., LTD.			APPROVED : MH. YAMANE 08. 07. 19		DRAWING NO. EDC4-313093-00			
			CHECKED : TS. NOBE 08. 07. 18		PART NO. SMPMJ-HVJ			
			DESIGNED : RO. YOKOYAMA 08. 07. 18		CODE NO. CL311-0421-7-00			
			DRAWN : RO. YOKOYAMA 08. 07. 18		1/1			