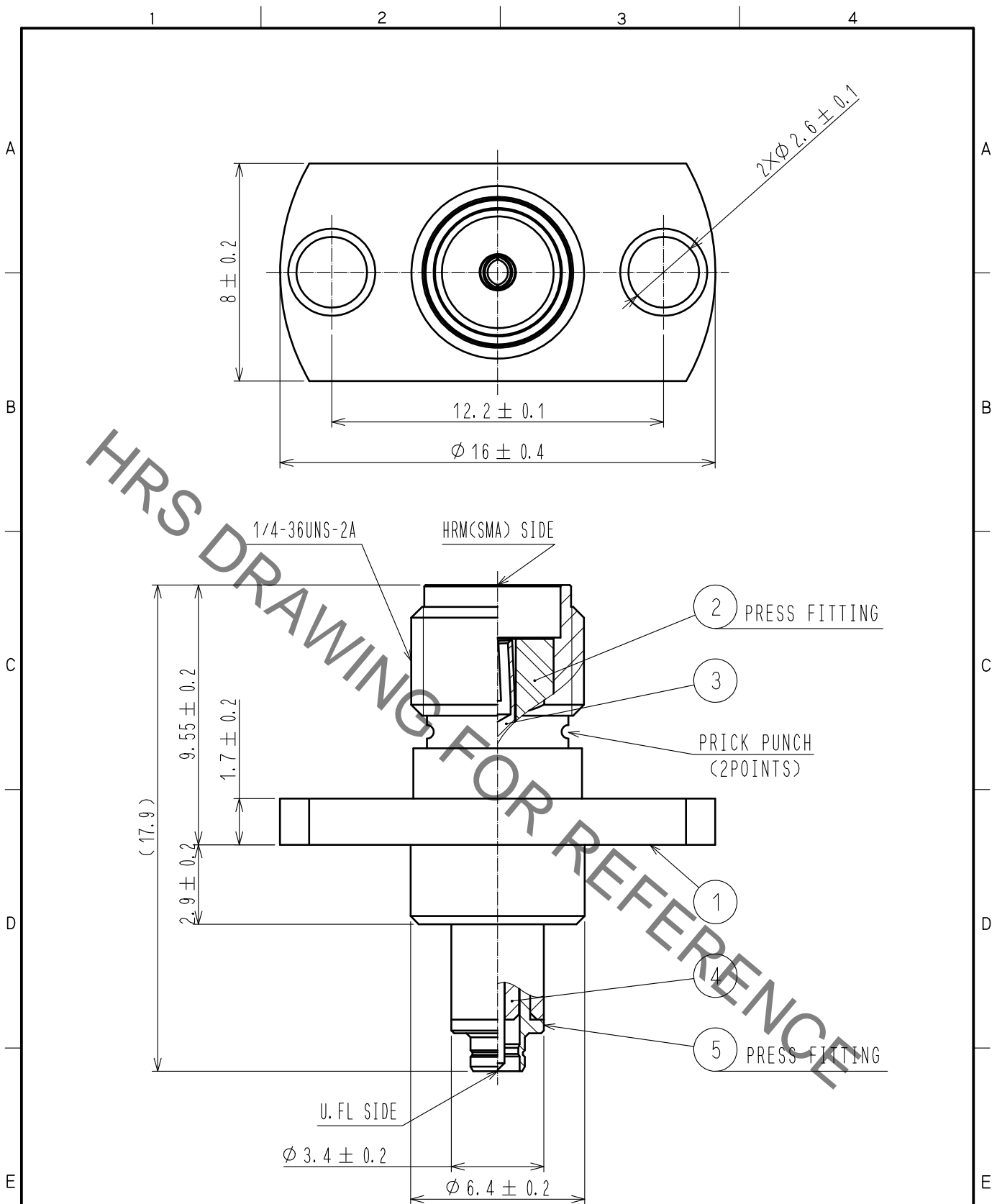


Jul.1.2021 Copyright 2021 HIROSE ELECTRIC CO., LTD. All Rights Reserved.
 In case of consideration for using Automotive equipment / device which demand high reliability, kindly contact our sales window correspondents.



RoHS COMPLIANT

3	BERYLLIUM COPPER	GOLD PLATING			
2	PTFE		5	BRASS	NICKEL PLATING
1	BRASS	NICKEL PLATING	4	PTFE	
NO.	MATERIAL	FINISH . REMARKS	NO.	MATERIAL	FINISH . REMARKS

UNITS mm		SCALE 5 : 1	COUNT 	DESCRIPTION OF REVISIONS	DESIGNED	CHECKED	DATE
-------------	--	----------------	-----------	--------------------------	----------	---------	------

HIROSE ELECTRIC CO., LTD.	APPROVED : KY. SHIMIZU	16.08.23	DRAWING NO.	EDC-349749-00-00
	CHECKED : TO. KATAYAMA	16.08.23	PART NO.	HRMJ-U. FLJ-PA2
	DESIGNED : RO. YOKOYAMA	16.08.22	CODE NO.	CL311-0467-8-00
	DRAWN : RO. YOKOYAMA	16.08.22		1/1