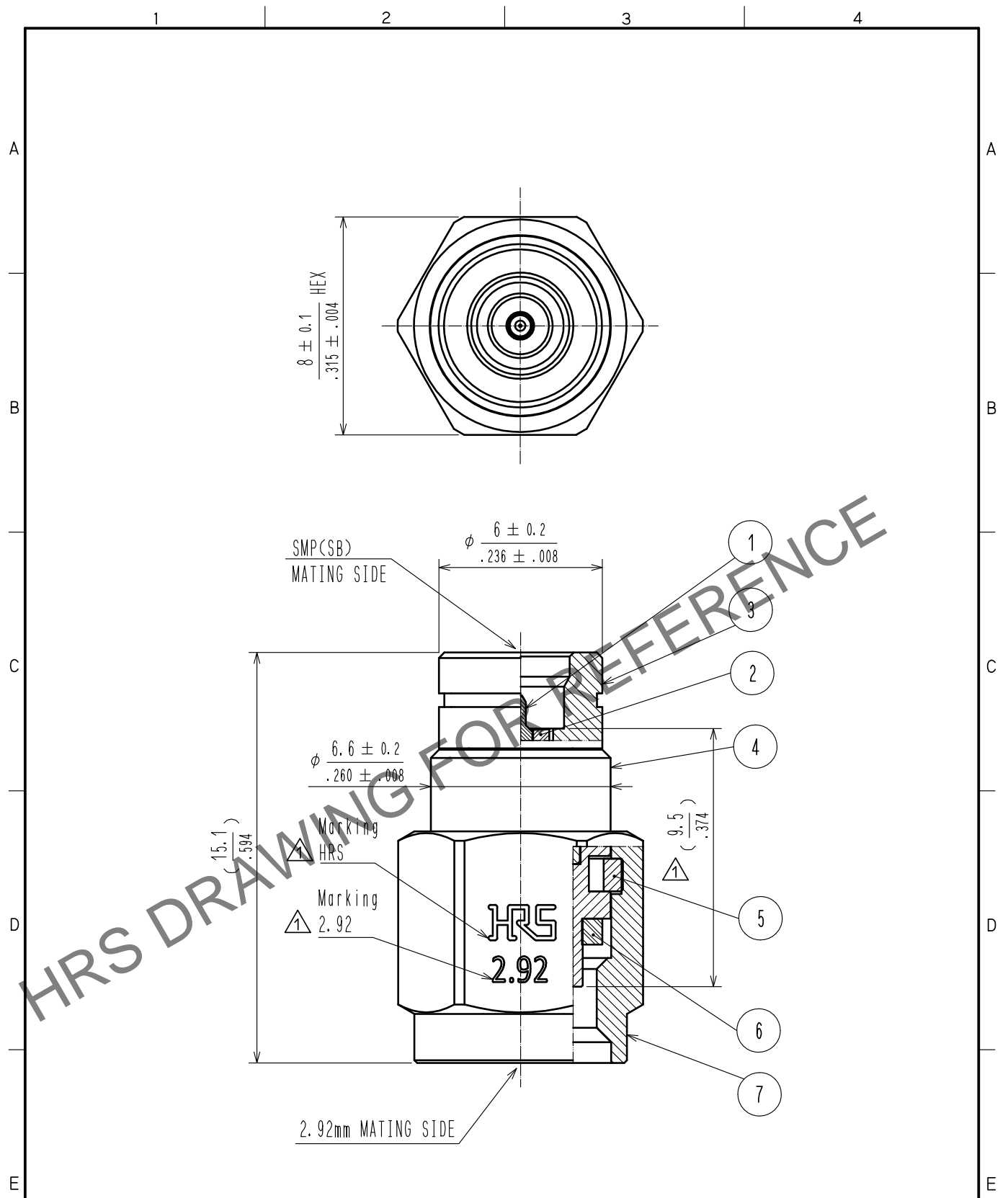


Mar.1.2025 Copyright 2025 HIROSE ELECTRIC CO., LTD. All Rights Reserved.
 In case of consideration for using Automotive equipment / device which demand high reliability, kindly contact our sales window correspondents.



HRS DRAWING FOR REFERENCE

RoHS COMPLIANT

4	BRASS	GOLD PLATING		7	STAINLESS STEEL	PASSIVATE	
3	STAINLESS STEEL	PASSIVATE		6	SILICONE RUBBER		
2	PTFE			5	BERLLIUM COPPER	NICKEL PLATING	
1	PHOSPHOR BRONZE	GOLD PLATING					
NO.	MATERIAL	FINISH .	REMARKS	NO.	MATERIAL	FINISH .	REMARKS

UNITS mm		SCALE 5 : 1	COUNT 3	DESCRIPTION OF REVISIONS DIS-D-00002439	DESIGNED AH. MARUYAMA	CHECKED TS. NOBE	DATE 17. 09. 12
HIROSE ELECTRIC CO., LTD.				APPROVED : KH. IKEDA	17. 01. 17	DRAWING NO. EDC-371346-00-00	
				CHECKED : TS. NOBE	17. 01. 17		
				DESIGNED : AH. MARUYAMA	17. 01. 16	PART NO. SMPP(SB)-HKP	
				DRAWN : AH. MARUYAMA	17. 01. 16		
				CODE NO. CL311-1001-0-00	1/1		