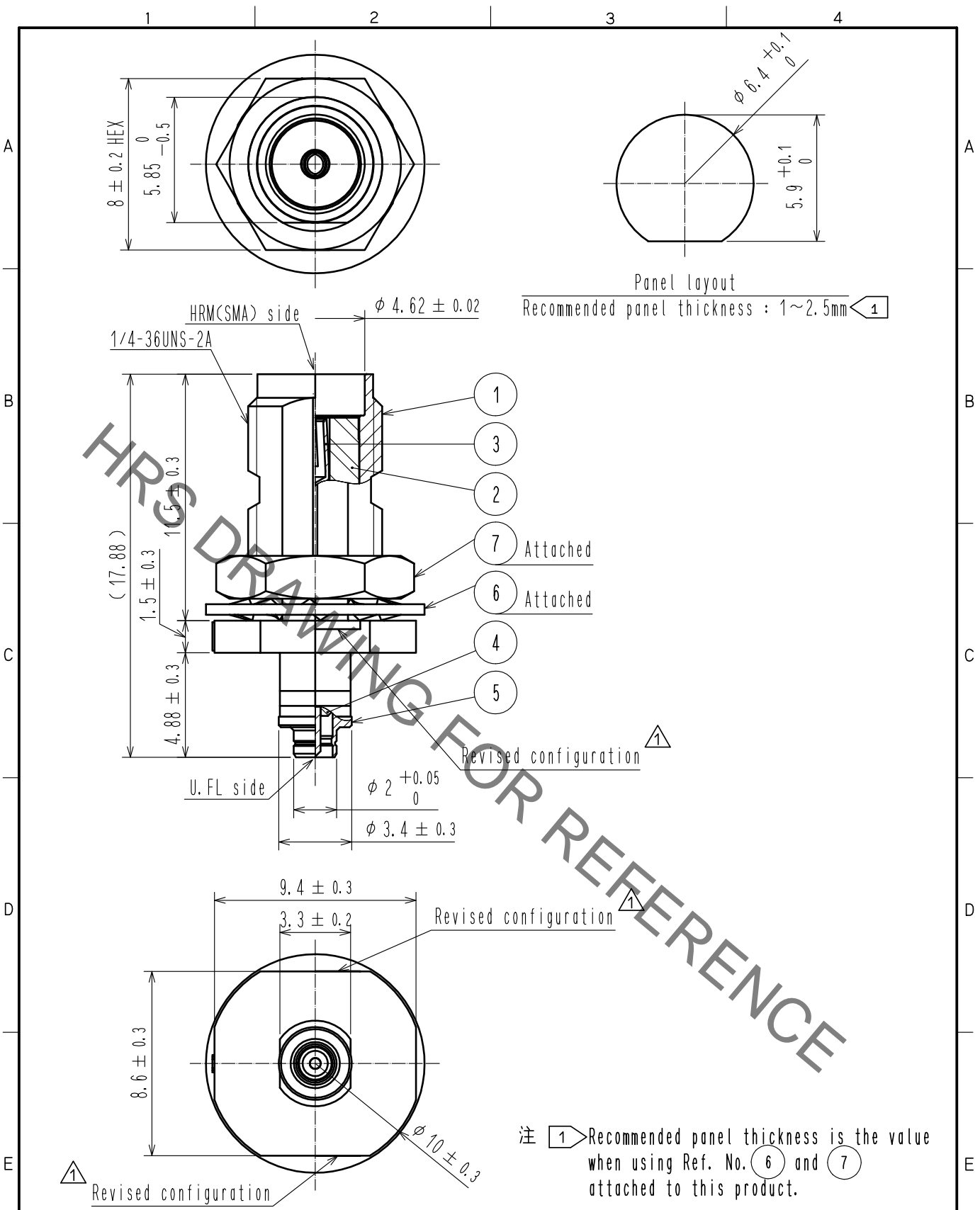


Jul.1.2021 Copyright 2021 HIROSE ELECTRIC CO., LTD. All Rights Reserved.
 In case of consideration for using Automotive equipment / device which demand high reliability, kindly contact our sales window correspondents.



Panel layout
 Recommended panel thickness : 1~2.5mm 1

注 1 Recommended panel thickness is the value when using Ref. No. 6 and 7 attached to this product.

4	PTFE			7	BRASS	NICKEL PLATING		
3	BERYLLIUM COPPER	GOLD PLATING		6	BRASS	NICKEL PLATING		
2	PTFE			5	BRASS	NICKEL PLATING		
1	ZINC ALLOY	NICKEL PLATING						
NO.	MATERIAL	FINISH	REMARKS	NO.	MATERIAL	FINISH	REMARKS	
UNITS		SCALE	COUNT	DESCRIPTION OF REVISIONS		DESIGNED	CHECKED	DATE
mm		4 : 1	1 3	DIS-D-00004028		SR. AIHARA	KY. SHIMIZU	20190509
HRS	HIROSE ELECTRIC CO., LTD.	APPROVED	• TO. KATAYAMA	20190118	DRAWING NO.	EDC-386023-00-00		
		CHECKED	• KY. SHIMIZU	20190118	PART NO.	HRMJ-U. FLJ-BPAD-5		
		DESIGNED	• SR. AIHARA	20190118	CODE NO.	CL311-1004-0-00	1 / 1	
		DRAWN	• SR. AIHARA	20190118				