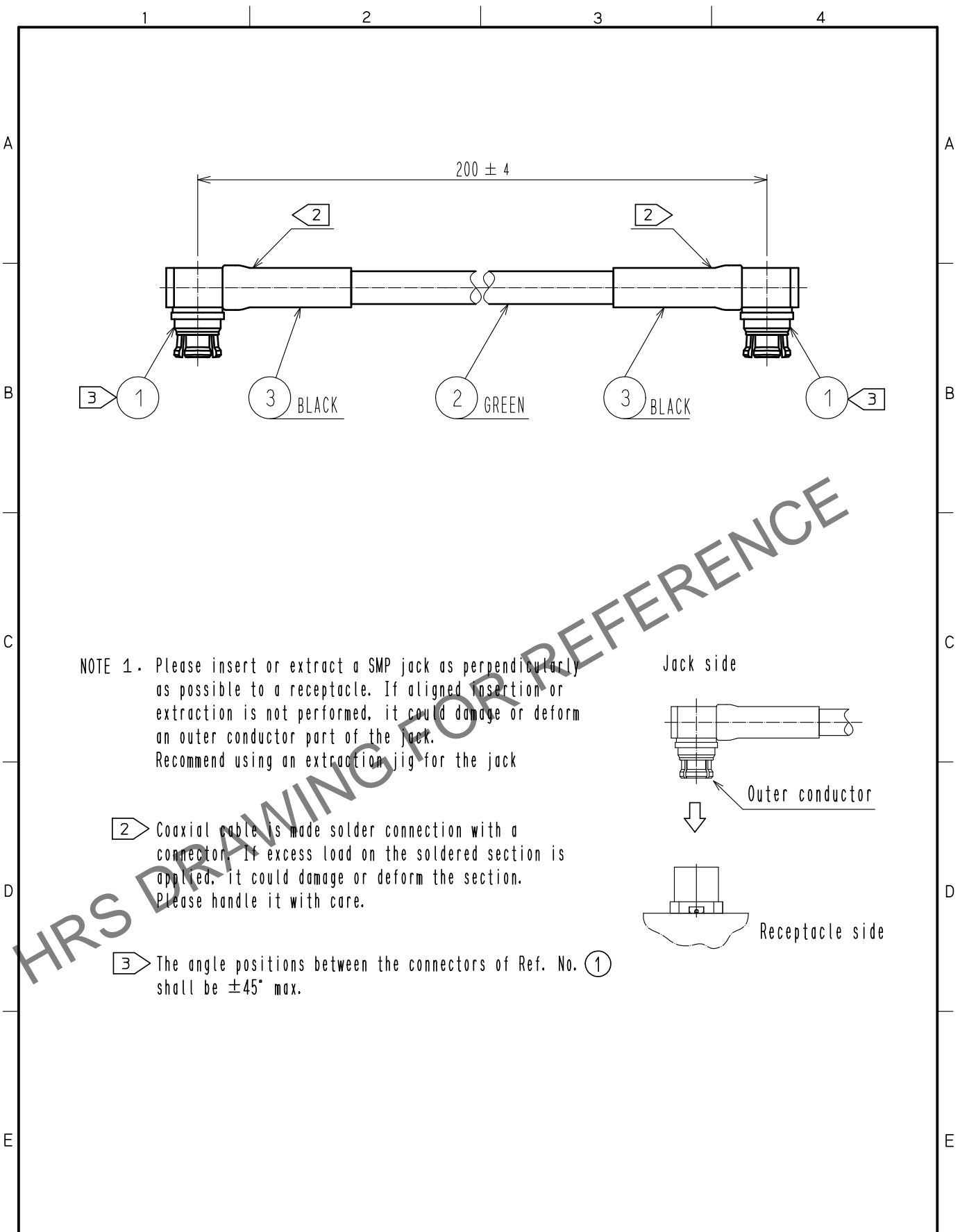


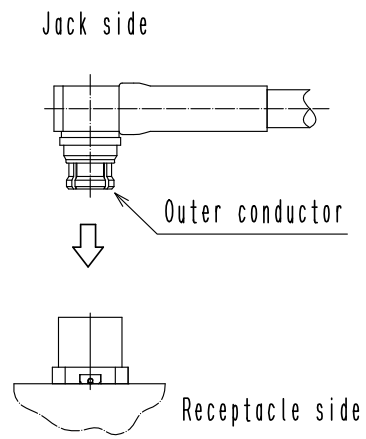
Apr.1.2025 Copyright 2025 HIROSE ELECTRIC CO., LTD. All Rights Reserved.
 In case of consideration for using Automotive equipment / device which demand high reliability, kindly contact our sales window correspondents.



NOTE 1. Please insert or extract a SMP jack as perpendicularly as possible to a receptacle. If aligned insertion or extraction is not performed, it could damage or deform an outer conductor part of the jack.
 Recommend using an extraction jig for the jack

② Coaxial cable is made solder connection with a connector. If excess load on the soldered section is applied, it could damage or deform the section. Please handle it with care.

③ The angle positions between the connectors of Ref. No. ① shall be $\pm 45^\circ$ max.



2	MCCA1/1	NISSEI ELECTRIC CO., LTD.	
1	SMP-LJ-SF085	CL0338-1101-0-00	3 HEAT SHRINK TUBING(BLACK) SUMITOMO ELECTRIC INDUSTRIES, LTD.
NO.	PART NO.	CODE NO. OR MANUFACTURE	NO. PART NO. MANUFACTURE
UNITS mm		SCALE FREE	COUNT
APPROVED : TO. KATAYAMA 18.05.23		DRAWING NO. EDC-382521-02-00	
CHECKED : KY. SHIMIZU 18.05.23		PART NO. SMP-2LJ-MC1-A-200	
DESIGNED : TM. YOSHIDA 18.05.22		CODE NO. CL321-0759-0-02	
DRAWN : TM. YOSHIDA 18.05.22			
		1/1	