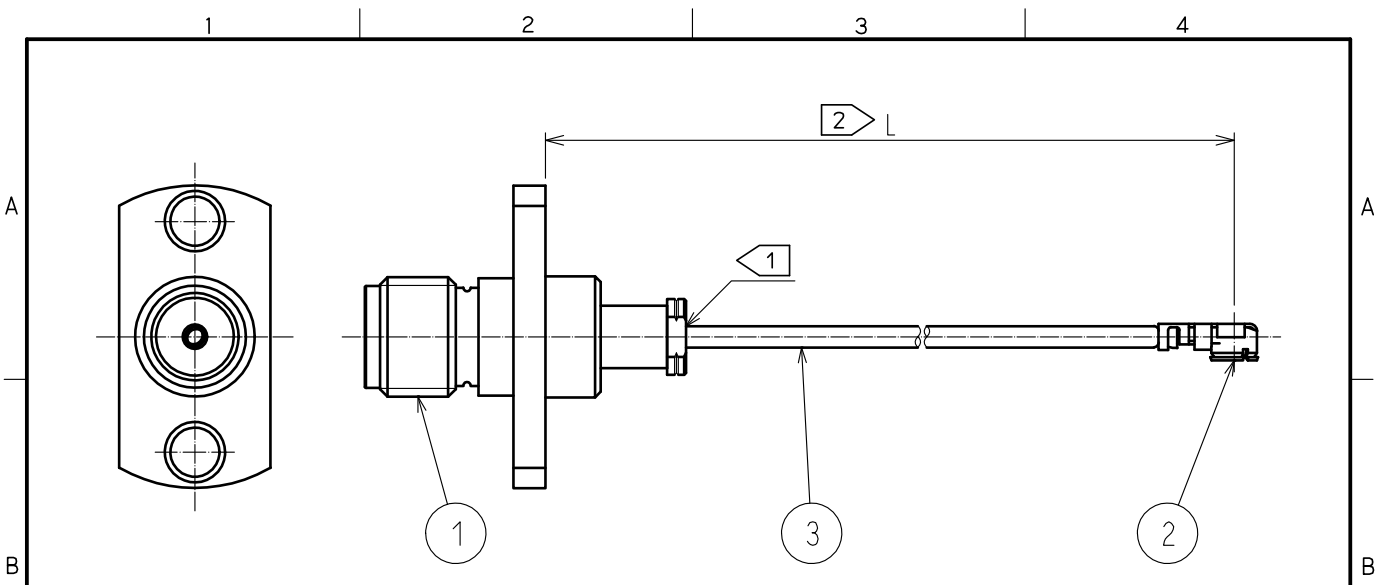


Aug. 1. 2024 Copyright 2024 HIROSE ELECTRIC CO., LTD. All Rights Reserved.
 In case of consideration for using Automotive equipment / device which demand high reliability, kindly contact our sales window correspondents.



NOTE 1 Do not apply any excessive stress to the cable assembly position.

2 'L' at the end of the Part No. indicates the cable length.
 And '*' of the Part No. indicates the cable color.

Length L (mm)	Typical (mm)	Part No.	Cable color
$50 \leq L \leq 200$	± 4	~068N1T~	Gray
$200 < L \leq 500$	± 8	~068N2T~	Black
$500 < L \leq 1000$	± 12	~068N3T~	White
$1000 < L$	$\pm 1.5\%$		

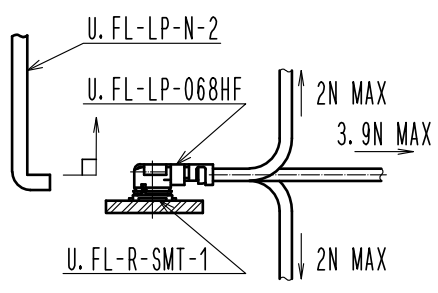
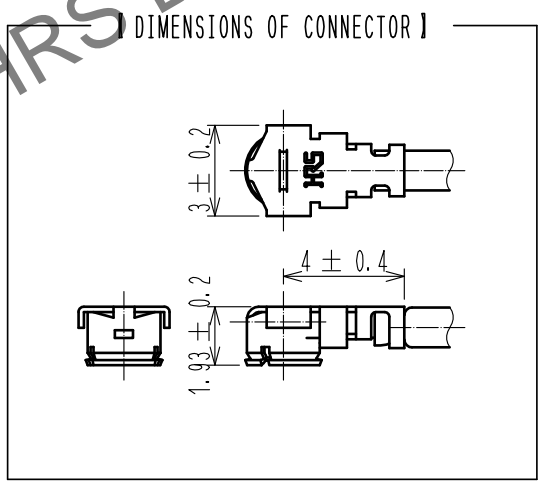
3. Connector rotation angle is within ± 45 degree from the above image.

For long length in the case of $L \geq 500$, the angle is optional.

4. Specifications are subject to change without notice.

【 PRECAUTIONS FOR HANDLING 】

- ◆ Connector insertion and extraction
 - a. Connector shall be extracted vertically by specialised extraction JIG.
 Part No. : U.FL-LP-N-2 (CL Code: CL331-0494-5)
 Never hold the cable when extracting the cable because it damages the connector.
 - b. Insert the connector as perpendicularly to the mating surface as possible by aligning the mating axes of both connectors. Do not excessively slant the connectors when inserting.
- ◆ Allowable loads on the cable after the connectors are mated.
 The figures below show the maximum allowable loads on the cable. Do not apply loads exceeding these values to the cable.



2	U.FL-LP-068HF	CL331-0566-4-00			
1	HRM-200-066PJ2BN(40)	CL323-0788-1-40	3	RF-MF50161 NISSEI ELECTRIC CO., LTD.	
NO.	PART NO.	CODE NO.	NO.	PART NO.	MANUFACTURER

UNITS mm		SCALE FREE	COUNT 	DESCRIPTION OF REVISIONS	DESIGNED	CHECKED	DATE
HRS HIROSE ELECTRIC CO., LTD.		APPROVED : TO. KATAYAMA	20190116	DRAWING NO.	EDC-385357-00-00		
		CHECKED : TO. KATAYAMA	20190116	PART NO.	HPJ2-UFLHF6-068N*T-ALRS		
		DESIGNED : NK. OOSAWA	20190116	CODE NO.			
		DRAWN : NK. OOSAWA	20190116	1/1			